

CTDSS1005 Series

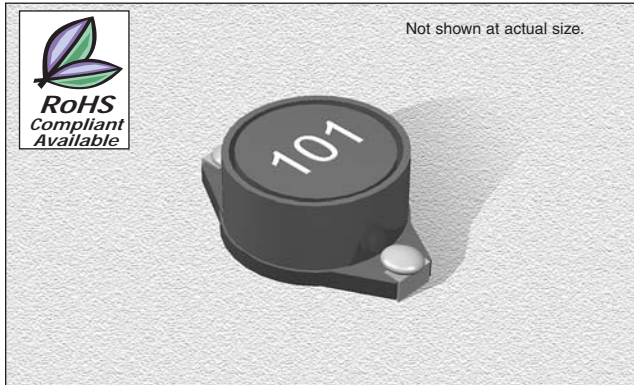
From 1.0 μ H to 3,300 μ H

SPECIFICATIONS

Parts are available in $\pm 20\%$ tolerance only.

* Temperature rise 45°C Max.

CTDSS1005E Please specify "F" for RoHS compliant.



CHARACTERISTICS

Description: SMD (shielded) power inductor

Applications: Ideal for high performance DC/DC converter applications, computers, LCD displays and telecommunication equipment. Especially those requiring shielding and low profiles

Operating Temperature: -25°C to +105°C

Inductance Tolerance: $\pm 20\%$

Testing: Inductance and Q are tested on an HP4284A or HP4285A at specified frequency

Packaging: Tape & Reel

Marking: Parts are marked with inductance code

Rated Current: Based on temp. rise & $\Delta L/LOA = 10\%$ Max.

Storage Temperature: -40°C to +125°C

Temperature Rise: 40°C Max. (* 45°C Max.)

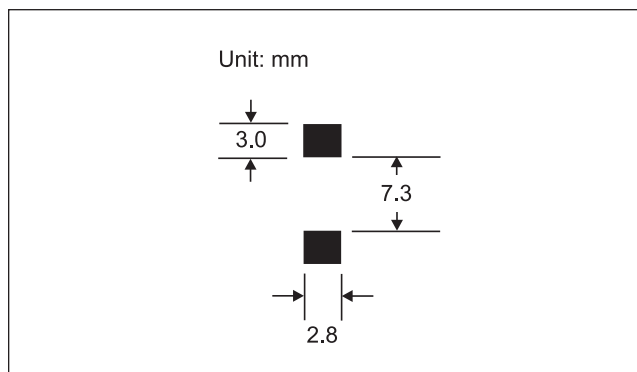
Resistance to solder heat: 260°C 10 sec

Miscellaneous: RoHS Compliant available. Magnetically shielded

Additional Information: Additional electrical & physical information available upon request

Samples available. See website for ordering information.

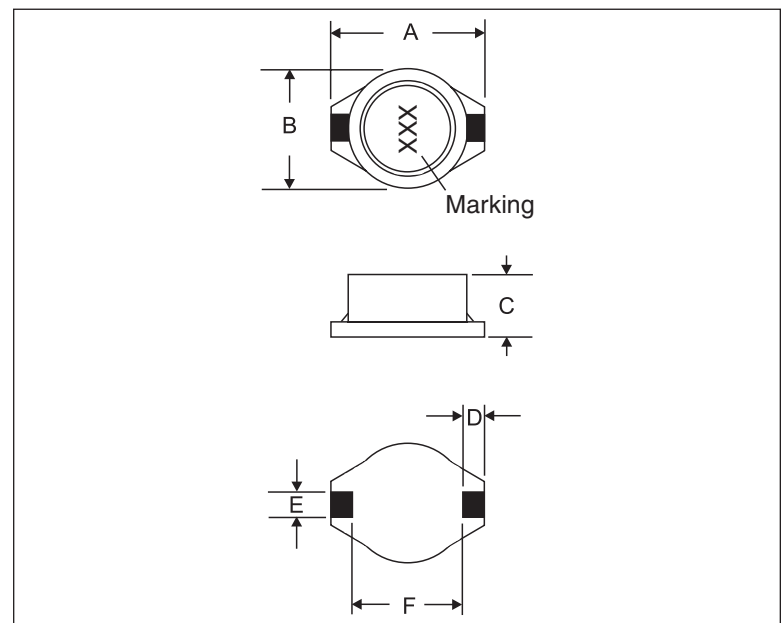
PAD LAYOUT



Part Number	Inductance (μ H)	L Test Freq. (kHz)	Q Fact. Min.	Q Test Freq. (MHz)	SRF Norm. (MHz)	DCR Max. (Ω)	Rated DC (A)
CTDSS1005_-102	1.0	1.0	23	7.96	140	.01	6.5*
CTDSS1005_-152	1.5	1.0	24	7.96	100	.02	5.6*
CTDSS1005_-222	2.2	1.0	25	7.96	90	.03	3.1
CTDSS1005_-302	3.0	1.0	25	7.96	80	.03	2.9
CTDSS1005_-332	3.3	1.0	24	7.96	70	.03	3.8*
CTDSS1005_-472	4.7	1.0	25	7.96	50	.04	2.5
CTDSS1005_-682	6.8	1.0	22	7.96	31	.05	2.8*
CTDSS1005_-702	7.0	1.0	22	7.96	32	.06	2.2
CTDSS1005_-103	10	1.0	48	2.52	30	.07	2.0
CTDSS1005_-123	12	1.0	45	2.52	25	.08	1.8
CTDSS1005_-153	15	1.0	40	2.52	20	.09	1.7
CTDSS1005_-183	18	1.0	35	2.52	19	.09	1.6
CTDSS1005_-223	22	1.0	42	2.52	18	.10	1.4
CTDSS1005_-273	27	1.0	40	2.52	17	.12	1.3
CTDSS1005_-333	33	1.0	40	2.52	15	.16	1.2
CTDSS1005_-393	39	1.0	40	2.52	13	.18	1.1
CTDSS1005_-473	47	1.0	35	2.52	12	.19	1.0
CTDSS1005_-563	56	1.0	35	2.52	11	.21	0.9
CTDSS1005_-683	68	1.0	35	2.52	9	.34	0.8
CTDSS1005_-823	82	1.0	35	2.52	8	.38	0.8
CTDSS1005_-104	100	1.0	35	.796	8	.42	0.7
CTDSS1005_-124	120	1.0	30	.796	7	.46	0.6
CTDSS1005_-154	150	1.0	28	.796	6	.52	0.6
CTDSS1005_-184	180	1.0	28	.796	6	.70	0.5
CTDSS1005_-224	220	1.0	30	.796	5	.80	0.5
CTDSS1005_-274	270	1.0	30	.796	5	1.1	0.4
CTDSS1005_-334	330	1.0	30	.796	5	1.2	0.4
CTDSS1005_-394	390	1.0	25	.796	4	1.4	0.3
CTDSS1005_-474	470	1.0	40	.796	3	1.6	0.3
CTDSS1005_-564	560	1.0	40	.796	3	1.8	0.3
CTDSS1005_-684	680	1.0	37	.796	3	2.3	0.3
CTDSS1005_-824	820	1.0	37	.796	3	2.6	0.2
CTDSS1005_-105	1000	1.0	65	.252	2	3.2	0.2
CTDSS1005_-125	1200	1.0	58	.252	2	3.6	0.2
CTDSS1005_-155	1500	1.0	53	.252	2	5.2	0.2
CTDSS1005_-185	1800	1.0	65	.252	1	5.7	0.2
CTDSS1005_-225	2200	1.0	55	.252	1	6.5	0.1
CTDSS1005_-275	2700	1.0	55	.252	1	8.6	0.1
CTDSS1005_-335	3300	1.0	50	.252	1	10	0.1

PHYSICAL DIMENSIONS

Size	A	B	C	D	E	F
mm	12.7 \pm 0.2	10 \pm 0.2	4.9 \pm 0.2	2.4 \pm 0.2	2.5 \pm 0.2	7.6 \pm 0.3
inches	0.5 \pm 0.008	0.4 \pm 0.008	0.2 \pm 0.008	0.09 \pm 0.008	0.1 \pm 0.008	0.3 \pm 0.012



05.17.06