

# High Power Single and Dual Directional Couplers



RLC Electronics' high power directional couplers offer accurate coupling, low insertion loss and high directivity in a compact package. The standard units are optimized for 2 octave bandwidths and are

available with a choice of coupling values. These units are ideal for sampling forward and reflected power with a negligible effect on the transmission line and very low intermodulation products.

## Specifications

**CHP-1040-1-2-3-4, CHP-2080-1-2-3-4**

**CHP-3012-1-2-3-4, CHP-6018-1-2-3-4**

Model Number	Frequency Range (GHz)	Directivity (Min.)	Primary VSWR (Max.)	Secondary VSWR (Max.)	Insertion Loss (Max.)
CHP-1040	1-4	23dB	1.20	1.30	.15dB
CHP-2080-	2-8	21dB	1.25	1.30	.20dB
CHP-3012	3-12	18dB	1.30	1.30	.25dB
*CHP-6018	6-18	14dB	1.50	1.50	.35dB

**Impedance:** 50 ohms

**Power:** 500 watts avg., 10kw peak, \*250 watts

**Accuracy** (including frequency variation): +/- 1.0dB

**Coupling** (nominal): 30, 40 or 50dB

**Connectors:** Main line-Type "N" (male or female)

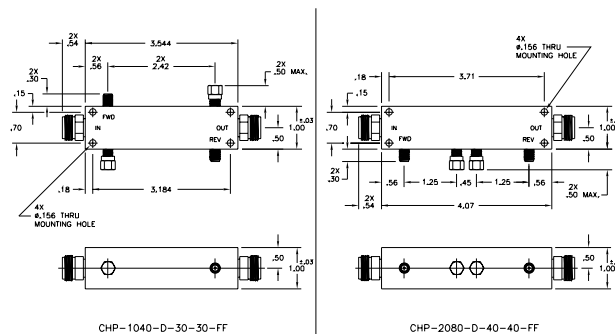
Secondary line-"SMA" female

### To designate the coupler desired use:

- (1) S for single, D for dual
- (2) Forward coupling value 30, 40 or 50dB
- (3) Reverse coupling value 30, 40 or 50dB (dual only)
- (4) Main line connectors (input/output)  
MM (male/male), FF (female/female),  
MF (male/female), FM (female/male),

Example: CHP-2080-D-40-40-FF is a 2-8GHz coupler with "N" female connectors on the main line and 40dB forward and reverse coupling.

## OUTLINE DRAWING



Specifications subject to change without notification.

Tolerances unless otherwise specified are .xx +/- .02. xxx +/- .005

Specials requiring closer tolerances, different frequency ranges, special connectors, different materials, finishes, etc. can be furnished upon request.



**RLC ELECTRONICS, INC.**

83 Radio Circle, Mount Kisco, New York 10549 Telephone 914-241-1334 Fax 914-241-1753  
e-mail: [sales@rlcelectronics.com](mailto:sales@rlcelectronics.com) [www.rlcelectronics.com](http://www.rlcelectronics.com)