

# Male Style 1/2 Q



## Series 8477 – 2 rows (2 x 16) Inverted

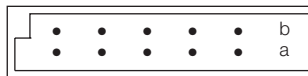


Contact Design and Termination Length	Number of Contacts	Loading Description	Part Number		
			Performance classes according to DIN 41612		
			II	I	
2.9 mm (Y) Straight		32	a + b fully loaded	10 8477 032 001 025	10 8477 032 001 049
		16	a + b even loading	10 8477 032 001 031	10 8477 032 001 055
		16	a loading only	10 8477 032 001 027	10 8477 032 001 051
		30 + 2	fully loaded + ground	10 8477 032 101 025	10 8477 032 101 049
4.5 mm (Y) Straight		32	a + b fully loaded	10 8477 032 002 025	10 8477 032 002 049
		16	a + b even loading	10 8477 032 002 031	10 8477 032 002 055
		16	a loading only	10 8477 032 002 027	10 8477 032 002 051
		30 + 2	fully loaded + ground	10 8477 032 102 025	10 8477 032 102 049
9.5 mm (Y) Straight		32	a + b fully loaded	10 8477 032 005 025	10 8477 032 005 049
		16	a + b even loading	10 8477 032 005 031	10 8477 032 005 055
		16	a loading only	10 8477 032 005 027	10 8477 032 005 051
13.0 mm (Y) Straight		32	a + b fully loaded	10 8477 032 006 025	10 8477 032 006 049
		16	a + b even loading	10 8477 032 006 031	10 8477 032 006 055
		16	a loading only	10 8477 032 006 027	10 8477 032 006 051
14.9 mm (Y) Straight		32	a + b fully loaded	10 8477 032 007 025	10 8477 032 007 049
		16	a + b even loading	10 8477 032 007 031	10 8477 032 007 055
		16	a loading only	10 8477 032 007 027	10 8477 032 007 051

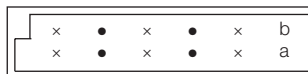
NB: Alternative Prefix Variations Available: 12, 14, 15, 16 & 17, please refer to Page 10.

Additional Plating & Loading Variations: Please contact your local AVX sales office or distributor.

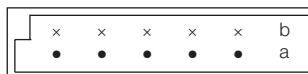
### LOADING DESCRIPTION



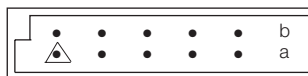
32 contacts, rows a + b fully loaded



16 contacts, rows a + b even loading



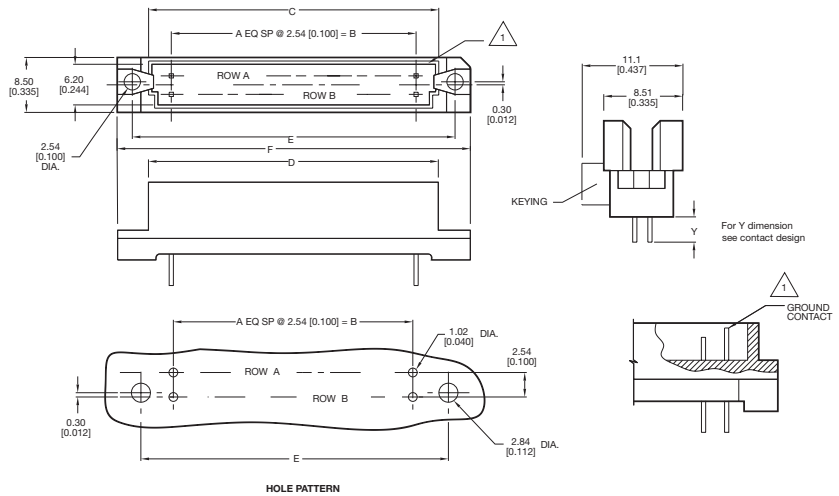
16 contacts, row a loading only



30 + 2 contacts, fully loaded with ground in A1 & A16

△ denotes ground pin

### DIMENSIONS



Unit: millimeters (inches)

No. Contact Positions	Contact Rows	A	B	C	D	E	F
32	2 (2 x 16)	15	38.10 (1.500)	44.70 (1.760)	47.29 (1.862)	49.99 (1.968)	54.91 (2.162)