

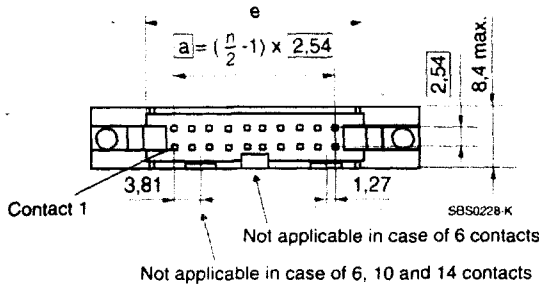
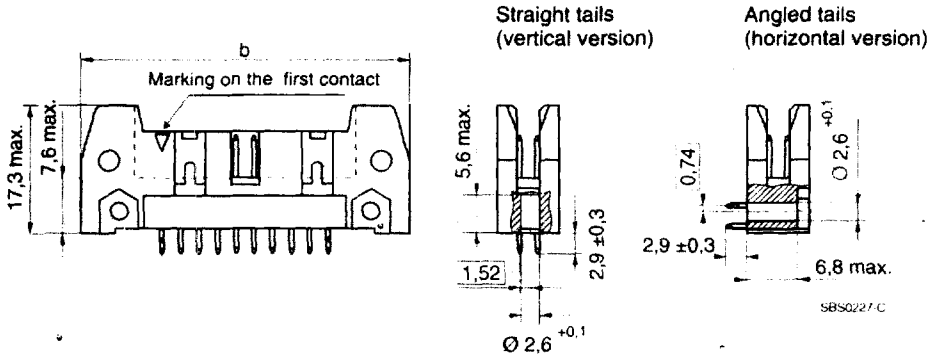
Insulation-Displacement Connectors for Ribbon Cables BK-MOD 421/422

Modular grid connector BK-MOD 421/422

Pin and female connectors in acc. with DIN 41651
6, 10, 14, 16, 20, 26, 34, 40, 50, 60 and 64 contacts

Pin connectors BK-MOD 421 (standard and compact headers) for mating with female connectors BK-MOD 422. For terminal and bus connections.

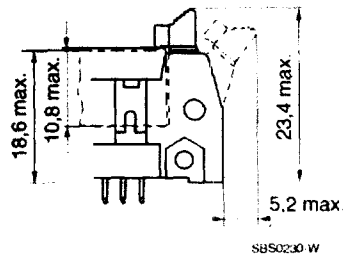
Standard header (pin connector)



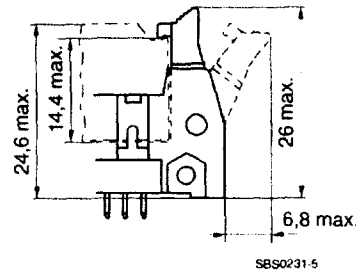
Number of contacts	Dimensions in mm		
	a	b max.	e min.
6	5.08	27.08	12.45
10	10.16	32.16	17.53
14	15.24	37.24	22.61
16	17.78	39.78	25.15
20	22.86	44.86	30.23
26	30.48	52.48	37.85
34	40.64	62.64	48.01
40	48.26	70.26	55.63
50	60.96	82.96	68.33
60	73.66	95.66	81.03
64	78.74	100.74	86.11

Locking facilities (with ejection function)

Locking hook, short, for female connector without strain-relief clamp

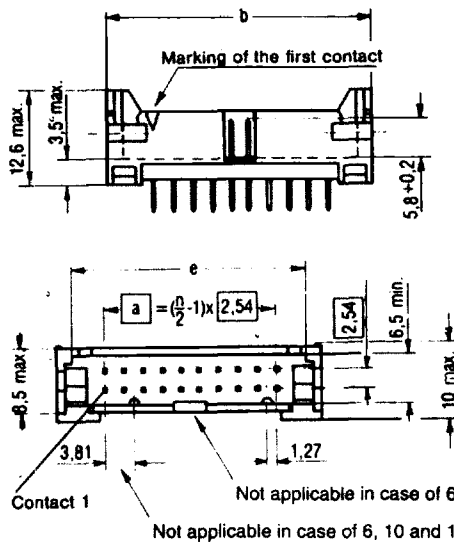


Locking hook, long, for female connector with strain-relief clamp

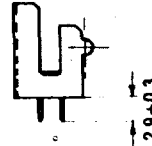


Insulation-Displacement Connectors for Ribbon Cables BK-MOD 421/422

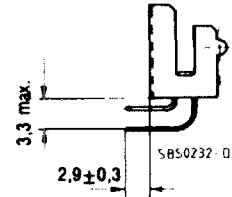
Compact header (pin connector)



Straight tails
(vertical version)



Angled tails
(horizontal version)

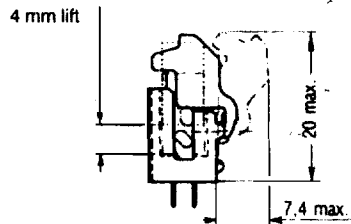


Number of contacts	Dimensions in mm		
	a	b max.	e min.
6	5,08	16,92	12,72
10	10,16	22,00	17,80
14	15,24	27,08	22,88
16	17,78	29,62	25,42
20	22,86	34,70	30,50
26	30,48	42,32	38,12
34	40,64	52,48	48,28

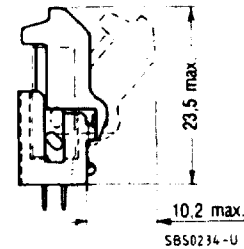
Connectors

Locking facilities (with ejection function)

Locking hook, short, for female connector without strain-relief clamp

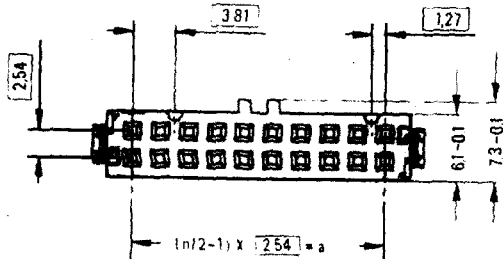


Locking hook long, for female connector with strain-relief clamp

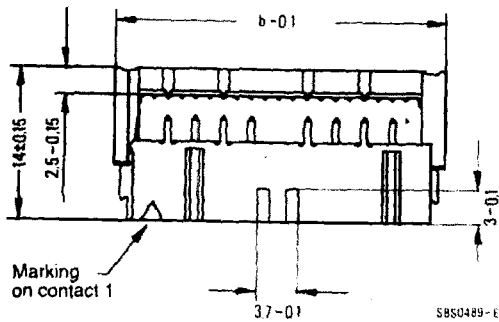


Insulation-Displacement Connectors for Ribbon Cables BK-MOD 421/422

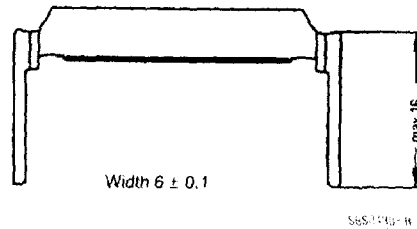
Female connector comprising press-in plate and upper section



Number of contacts	Dimensions in mm	
	a	b max.
6	5.08	12.20
10	10.16	17.30
14	15.24	22.40
16	17.78	24.90
20	22.86	30.00
26	30.48	37.60
34	40.64	47.80
40	48.26	55.40
50	60.96	68.10
60	73.66	80.80
64	78.74	85.90

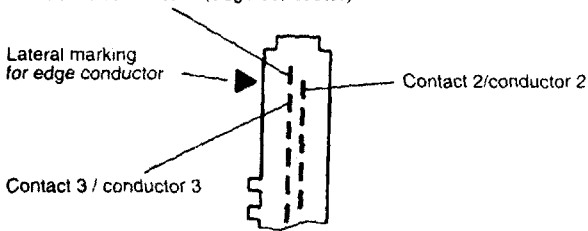


Strain-relief clamp



Assignment information (View on insulation-displacement terminal contacts)

Contact 1 / conductor 1 (edge conductor)



Version

- Header for printed circuits
- Suitable cable cross-sections in acc. with DIN/VDE 0811:
stranded wire 0,09 mm² (AWG 28/7) and 0,14 mm² (AWG 26/7)
solid wire 0,25 mm ∅ (AWG 30/1) and 0,32 mm ∅ (AWG 28/1)
center spacing: 1,27 mm; insulation thickness: max. 1,1 mm
- Center polarization (except version with 6 contacts) and polarizing lugs
- Female connector with pre-latched press-in plate

Insulation-Displacement Connectors for Ribbon Cables BK-MOD 421/422

Technical data

Dielectric	thermoplastic material, glass-fiber reinforced	
Contact material	copper alloy	
	Pin connector	Female connector
Contact surface	Contact pin: Pd on Au (flash) Solder pin: tin on nickel	Insertion area: double contact, Pd on Au (flash) Ins. displacem.term.: tin on nickel
Current rating per contact at 20 °C/70 °C/100 °C	1,5 A/1 A/0,5 A	
Test voltage contact-contact	0,94 kV	
Insulation resistance	≥ 10 ⁹ MΩ	
Flammability	in compliance with UL 94 V-0	
Temperature range	- 55 ... + 125 °C	
Connection frequency	performance level 2 ≥ 200 insertion/removal cycles	

For the assembly of the connectors with ribbon cables tools are available for single-item production as well as for quantity production. Please contact your nearest Siemens Sales Office, Dept. Electromechanical Components.

Number of contacts	Ordering code	DU	Price each			
		Pcs	DU+	100+	500+	2000+
Standard header with straight solder pins (without locking facility)						
6	V23535-A1200-A60	100				
10	V23535-A1200-A100	100				
14	V23535-A1200-A140	100				
16	V23535-A1200-A160	100				
20	V23535-A1200-A200	100				
26	V23535-A1200-A260	100				
34	V23535-A1200-A340	100				
40	V23535-A1200-A400	50				
50	V23535-A1200-A500	50				
60	V23535-A1200-A600	50				
64	V23535-A1200-A640	50				
Standard header with solder pins angled at 90° (without locking facility)						
6	V23535-A1210-A60	100				
10	V23535-A1210-A100	100				
14	V23535-A1210-A140	100				
16	V23535-A1210-A160	100				
20	V23535-A1210-A200	100				
26	V23535-A1210-A260	100				
34	V23535-A1210-A340	100				
40	V23535-A1210-A400	50				
50	V23535-A1210-A500	50				
60	V23535-A1210-A600	50				
64	V23535-A1210-A640	50				
Locking hooks for standard header (2 hooks required per header)						
short	C42334-A421-C30	100				
long	C42334-A421-C31	100				

Connectors

Insulation-Displacement Connectors for Ribbon Cables

BK-MOD 421/422

Number of contacts	Ordering code	DU	Price each			
		Pcs	DU+	100+	500+	2000+
Compact header with straight solder pins (without locking facility)						
6	V23535-A2200-A60	80				
10	V23535-A2200-A100	80				
14	V23535-A2200-A140	80				
16	V23535-A2200-A160	80				
20	V23535-A2200-A200	80				
26	V23535-A2200-A260	40				
34	V23535-A2200-A340	40				
Compact header with solder pins angled at 90° (without locking facility)						
6	V23535-A2210-A60	80				
10	V23535-A2210-A100	80				
14	V23535-A2210-A140	80				
16	V23535-A2210-A160	80				
20	V23535-A2210-A200	80				
26	V23535-A2210-A260	40				
34	V23535-A2210-A340	40				
Locking hook for compact header (1 hook right and 1 hook left per header required)						
short, right-hand	C42334-A421-C41	80				
short, left-hand	C42334-A421-C51	80				
long, right-hand	C42334-A421-C42	80				
long, left-hand	C42334-A421-C52	80				
Female connector (without strain-relief clamp)						
6	V23535-A3280-C61	100				
10	V23535-A3280-C101	100				
14	V23535-A3280-C141	100				
16	V23535-A3280-C161	100				
20	V23535-A3280-C201	100				
26	V23535-A3280-C261	100				
34	V23535-A3280-C341	100				
40	V23535-A3280-C401	100				
50	V23535-A3280-C501	100				
60	V23535-A3280-C601	100				
64	V23535-A3280-C641	100				
Strain-relief clamp (1 clamp per female connector required)						
6	C42334-A422-C306	50				
10	C42334-A422-C310	50				
14	C42334-A422-C314	50				
16	C42334-A422-C316	50				
20	C42334-A422-C320	50				
26	C42334-A422-C326	50				
34	C42334-A422-C334	50				
40	C42334-A422-C340	50				
50	C42334-A422-C350	50				
60	C42334-A422-C360	50				
64	C42334-A422-C364	50				