

M-88L70 3V DTMF Receiver

- Operates between 2.7 and 3.6 volts
- Low power consumption
- Power down mode
- Inhibit mode
- Central office quality and performance
- Inexpensive 3.58 MHz time base
- Adjustable acquisition and release times
- Dial tone suppression
- Functionally compatible with Teltone M-8870

The Teltone M-88L70 is a full DTMF Receiver that integrates both bandsplit filter and decoder functions into a single 18-pin DIP or SOIC package. Manufactured using CMOS process technology, the M-88L70 offers low power consumption (18 mW max), precise data handling and 3V operation. Its filter section uses switched capacitor technology for both the high and low group filters and for dial tone rejection. Its decoder uses digital counting techniques to detect and decode all 16 DTMF tone pairs into a 4-bit code. External component count is minimized by provision of an on-chip differential input amplifier, clock generator, and latched tri-state interface bus. Minimal external components required include a low-cost 3.579545 MHz color burst crystal, a timing resistor, and a timing capacitor.

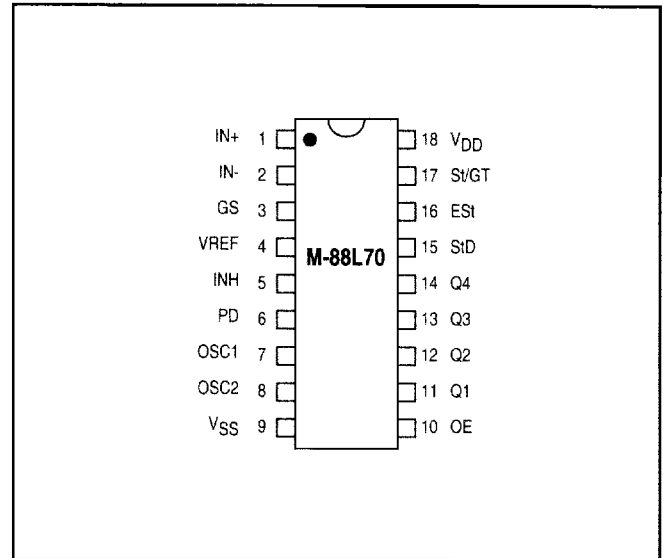


Figure 1 Pin Assignments

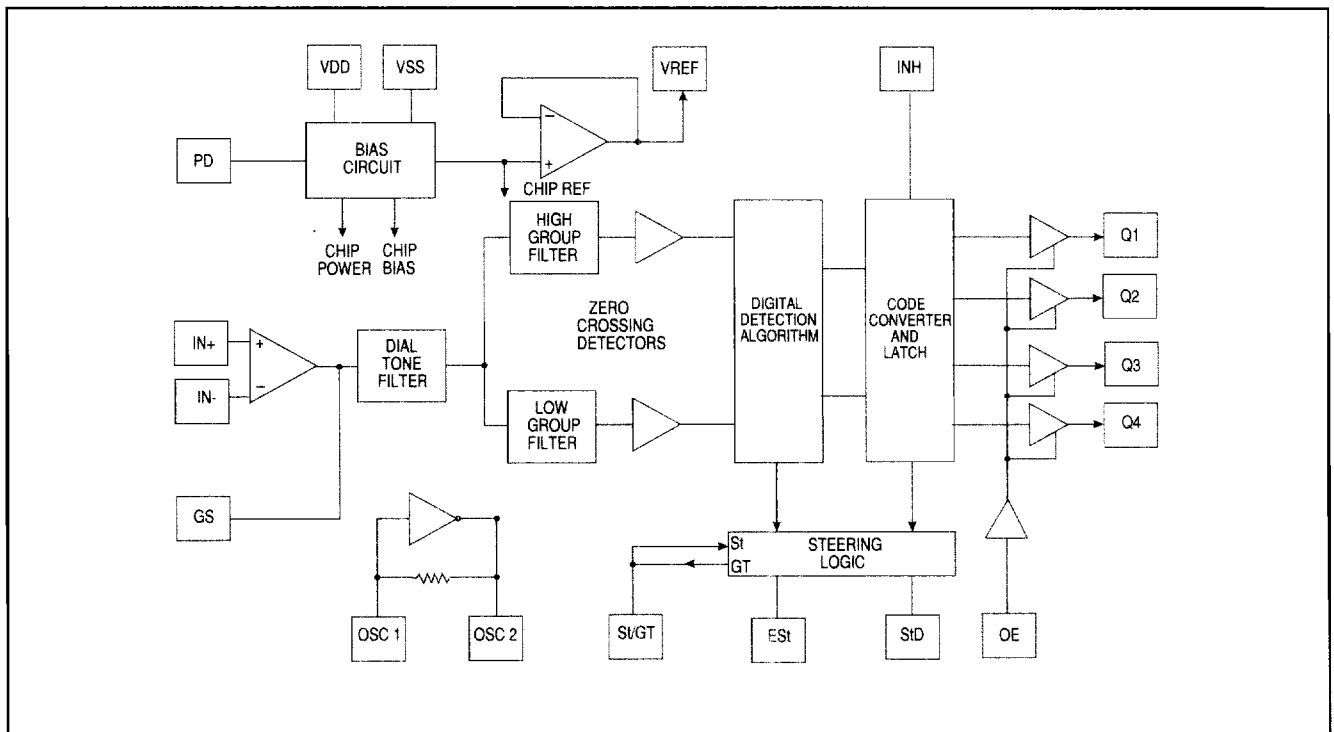


Figure 2 Block Diagram