

5,08mm Eurostyle® High Temperature PCB Header

Description

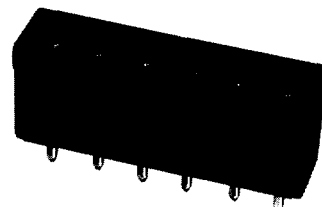
The series 86 high temperature Eurostyle® headers on 5,08mm (.200") spacing are polarized using the industry standard design. The 250°C process temperature rating enables convection or vapor phase soldering.

Series 86 headers are available in vertical or horizontal configurations, 2-12 circuits, with and without threaded retention inserts.

Made in the USA, in our ISO 9001 certified facility, all Eurostyle® terminal blocks embody the highest quality standards in the industry - using the finest materials and world class manufacturing processes. They meet or exceed all applicable industry standards.

Features

- **Compatible with convection or vapor phase soldering.** The 250°C process rating enables "pin and paste" or intrusive reflow techniques, eliminating wave soldering.
- **The industry-standard interface,** allows for mating with Beau Euro Mate®, Eurostyle plugs and many competitive 5,08mm terminal blocks.
- **High flammability rating.** 94V-0 is the highest available rating for the insulator - better than other leading brands.



PRODUCT RATINGS

UL	Class B	15 Amps @ 300 V
	Class C	10 Amps @ 300 V
CSA	Class B	15 Amps @ 300 V
VDE 0110 Gr.C		12 Amps @ 250 V

SAFETY AGENCIES

UL	File No. E48521 Guide No. XCFR2
CSA	File No. 025562

TECHNICAL SPECIFICATIONS

ELECTRICAL		
DWV		4500 VDC
IR		>5000 Megohms
ENVIRONMENTAL		
Continuous use temp		
RTI electrical		140°C
RTI mechanical w/o impact		120°C

OPTIONS

-10A	Sequential numbering
-G30	30 μ in. gold plated terminals

MATERIALS

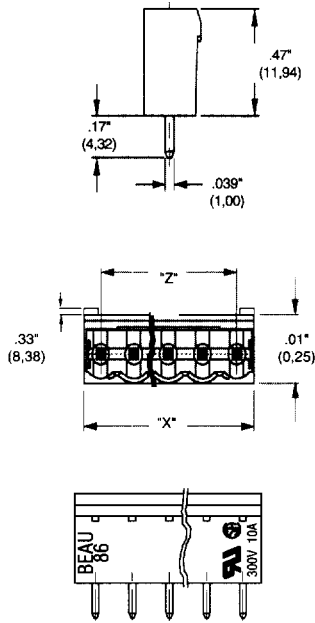
Insulator	Nylon 4.6, UL94V-0, black
Header pins	Brass, tin plate

HOW TO ORDER

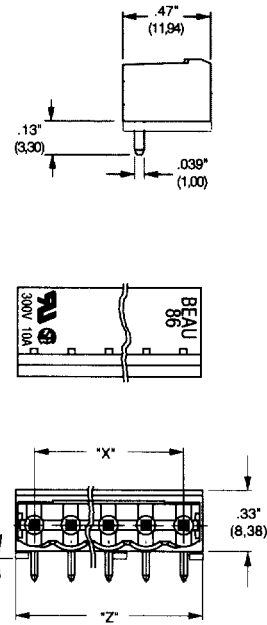
8	6	X	X	X	X	-	X	X
SERIES	STYLE	NO. OF POLES		OPTIONS				
	86	2 to 12		(Dash#'s above)				
	89							

Molex Industrial Division
 New England Operations
 Gilford, NH 03246-6600
 Phone (603) 524-5101
 Fax (603) 524-1627
 Internet www.beauint.com

Style 86



Style 89



Part	X		Z	
Number	in	mm	in	mm
868602	.20	5,1	.46	11,6
868603	.40	10,2	.66	16,7
868604	.60	15,2	.86	21,8
868605	.80	20,3	1.06	26,9
868606	1.00	25,4	1.26	31,9
868607	1.20	30,5	1.46	37,0
868608	1.40	35,6	1.66	42,1
868609	1.60	40,6	1.86	47,2
868610	1.80	45,7	2.06	52,3
868611	2.00	50,8	2.26	57,3
868612	2.20	55,9	2.46	62,4

Part	X		Z	
Number	in	mm	in	mm
868902	.20	5,1	.46	11,6
868903	.40	10,2	.66	16,7
868904	.60	15,2	.86	21,8
868905	.80	20,3	1.06	26,9
868906	1.00	25,4	1.26	31,9
868907	1.20	30,5	1.46	37,0
868908	1.40	35,6	1.66	42,1
868909	1.60	40,6	1.86	47,2
868910	1.80	45,7	2.06	52,3
868911	2.00	50,8	2.26	57,3
868912	2.20	55,9	2.46	62,4