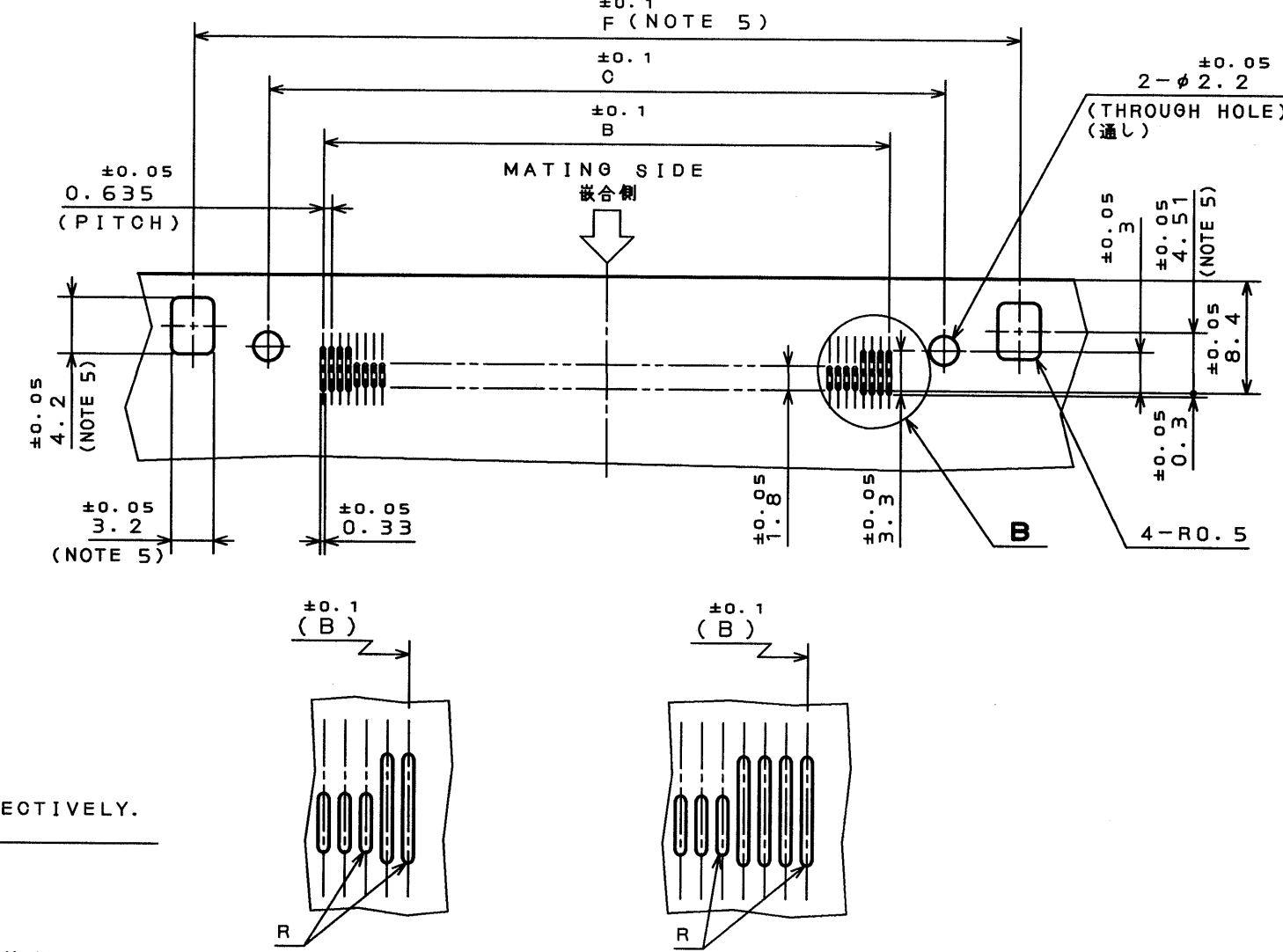
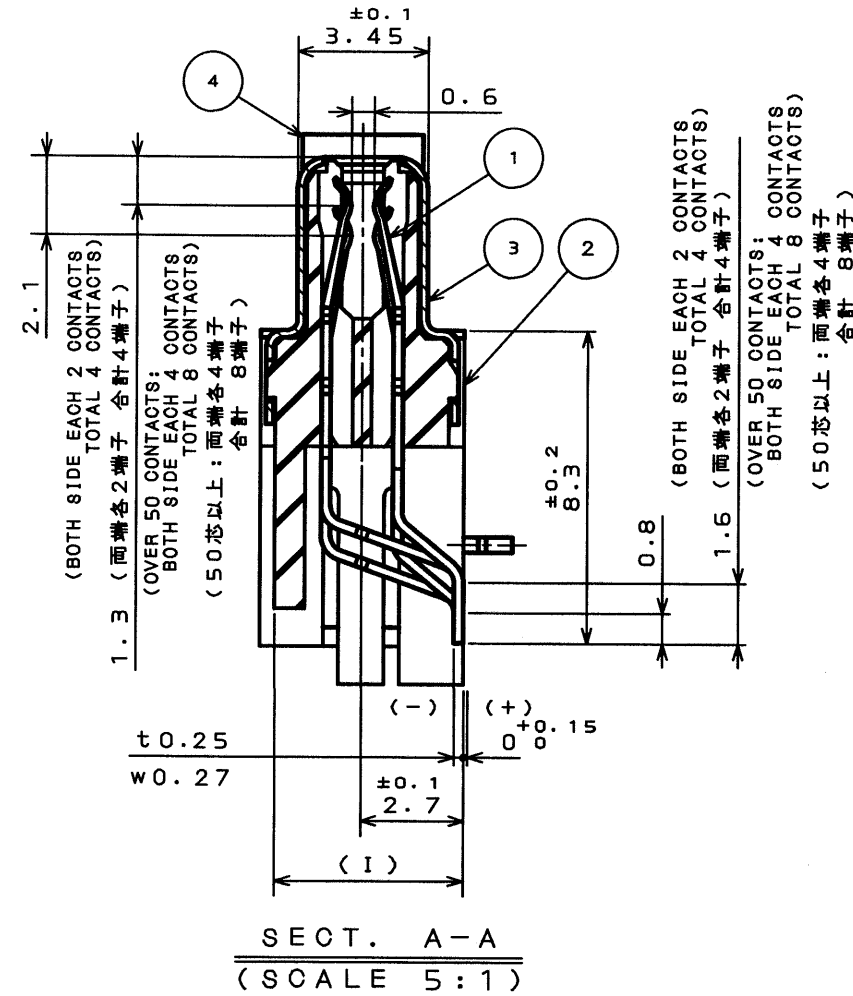
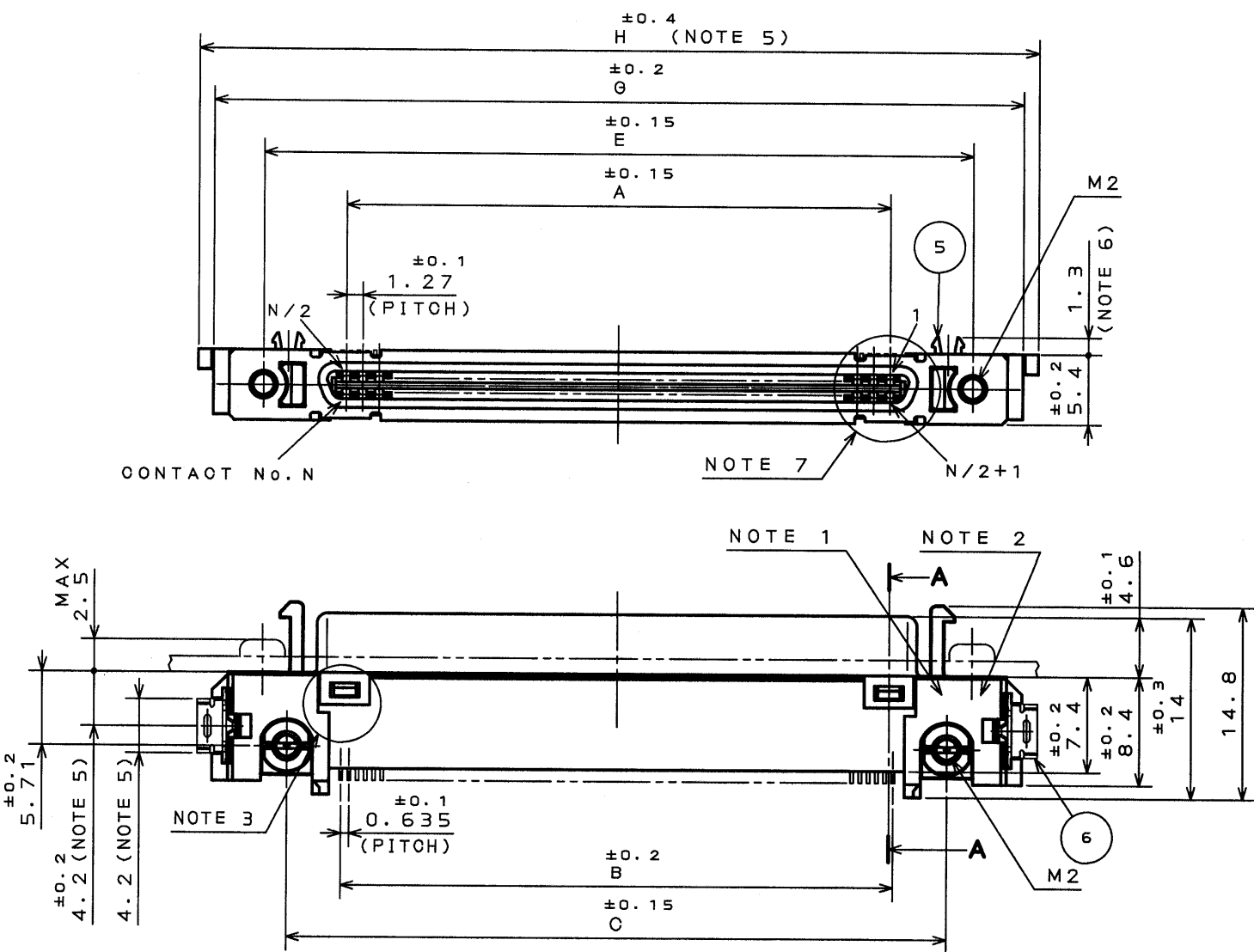


REV.	DATE	CON. NO.	DESCRIPTION	DR.	CHK.	APPD.	APPR.

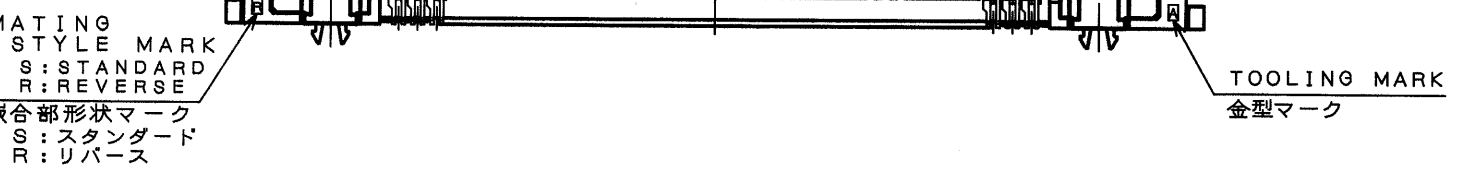
APPLICABLE P.C.B. PATTERNS(REF.)
P.C.B. THICKNESS 0.7 MIN.
適合基板寸法(参考) 基板厚t0.7以上



NOTE 1. PRODUCTION LOT NUMBER AS INDICATED.
(EX.) A 0 8 1

LOT NUMBER OF CURRENT MONTH
MONTH(1 TO 9 FOR JAN. TO SEPT. RESPECTIVELY.
OCT. : 0 NOV. : X DEC. : Y)
YEAR(LAST DIGIT ONLY)
MANUFACTURE CODE

- 2. LAST NUMBER OF FINISH MARK AS INDICATED. HOWEVER THERE IS NO MARK ONLY IN CASE FINISH NUMBER IS 1.
- 3. NUMBER OF THE DEPRESSED SLOTS VARY DEPENDING ON CONNECTOR SIZES.
- 4. THIS DRAWING SHOWS JAE P/N OF TX20A-※RV-D20F1-A*LME CONNECTOR WHICH HAS BOTH HOLD DOWN AND HOOK PIN/ EXPANSION POST.
- 5. DIMENSION SHOWN ABOVE IS ONLY REQUIRED IN CASE OF THE CONNECTOR TYPE WITH HOLD DOWN.
- 6. DIMENSION SHOWN ABOVE IS ONLY REQUIRED IN CASE OF THE CONNECTOR TYPE WITH HOOK PIN.
- 7. THIS TX20A-※RV-D20F1-A*LME DIFFERS TX20A-※R-D20F1-A*L*E (SJO37791) ONLY IN MATING STYLE.

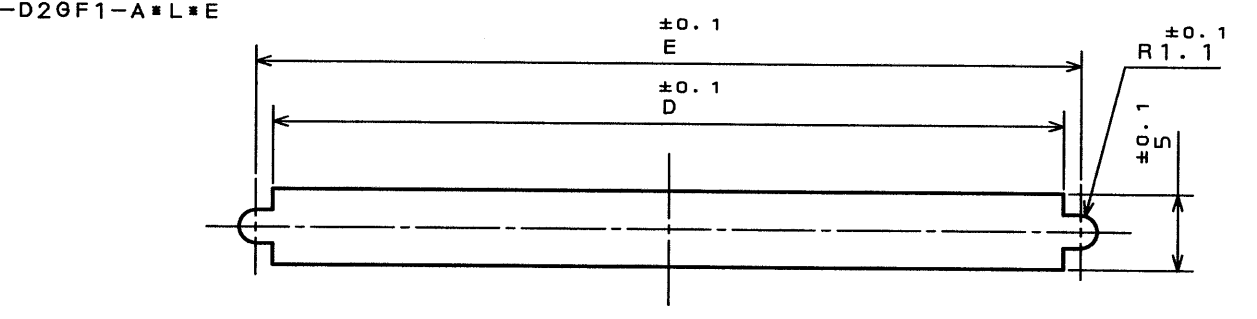
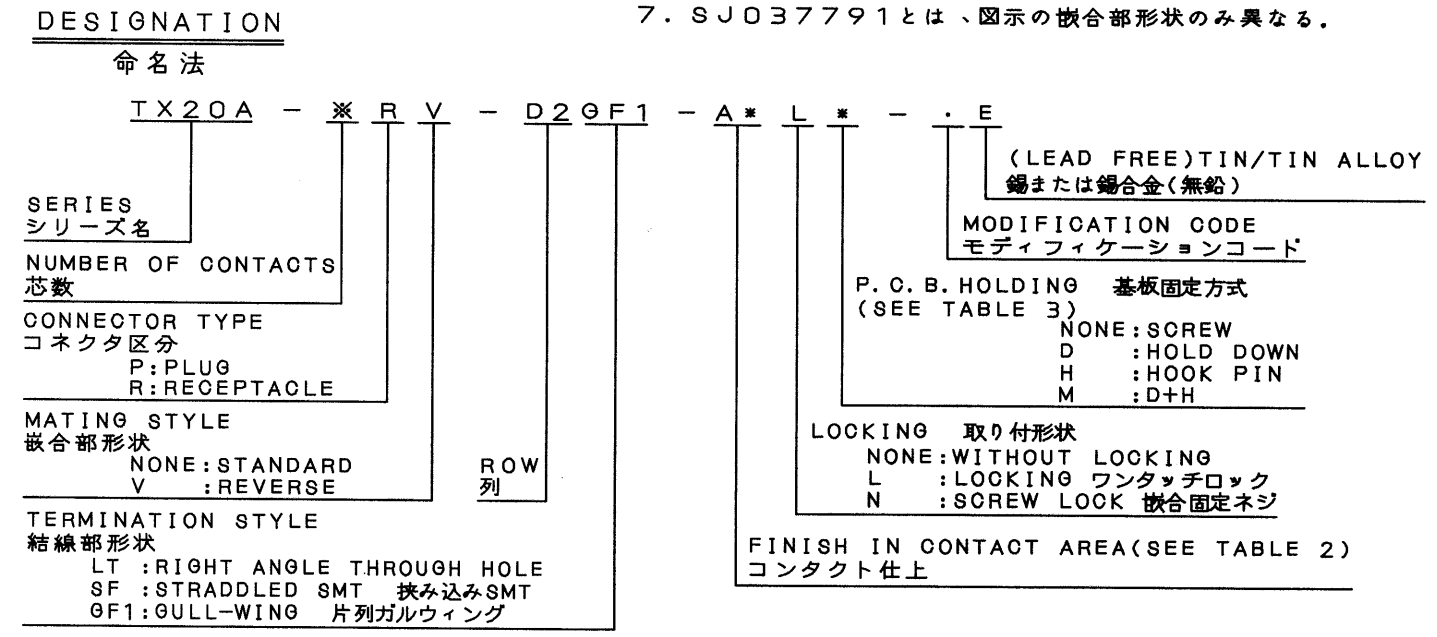


PARTS NUMBER	NUMBER OF CONTACTS(N)	A	B	C	D	E	F	G	H	I
TX20A-10RV-D20F1-A*L*E	10	5.08	5.715	13.97	15.48	17.78	25.28	25.48	27.88	5.25
TX20A-14RV-D20F1-A*L*E	14	7.62	8.255	16.51	18.02	20.32	27.82	28.02	30.32	5
TX20A-26RV-D20F1-A*L*E	26	15.24	15.875	24.13	25.64	27.94	35.44	35.64	37.94	5.4
TX20A-36RV-D20F1-A*L*E	36	21.59	22.225	30.48	31.99	34.29	41.79	41.99	44.29	5
TX20A-50RV-D20F1-A*L*E	50	30.48	31.115	39.37	40.88	43.18	50.68	50.88	53.18	5
TX20A-68RV-D20F1-A*L*E	68	36.83	37.465	45.72	47.23	49.53	57.03	57.23	59.53	5

AREA	FINISH	A1	A2	A3
CONTACT AREA	GOLD(0.1μm MIN.) OVER NICKEL	GOLD(0.3μm MIN.) OVER NICKEL	GOLD(0.76μm MIN.) OVER NICKEL	
TERMINAL AREA	(LEAD FREE) TIN/TIN ALLOY	(LEAD FREE) TIN/TIN ALLOY	(LEAD FREE) TIN/TIN ALLOY	

JAE DESCRIPTION	HOLD DOWN	HOOK PIN	MOUNTER #
TX20A-※RV-D20F1-A*L*E	W/O	W/O	N/A
TX20A-※RV-D20F1-A*L*E	W/T	W/O	AVAILABLE
TX20A-※RV-D20F1-A*L*E	W/O	W/T	N/A
TX20A-※RV-D20F1-A*L*E	W/T	W/T	N/A

MOUNTER ##: AVAILABILITY FOR AUTOMATIC MULTI-FUNCTIONAL SMD PLACEMENT MACHINE.
W/T: WITH W/O: WITHOUT N/A: NOT AVAILABLE

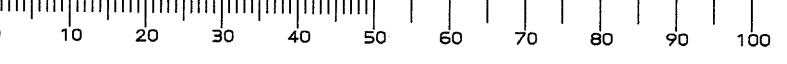


APPLICABLE PANEL PATTERNS(REF.)
PANEL THICKNESS 1.2 MAX.
適合パネル寸法(参考) パネル厚1.2以下

6	HOLD DOWN	2	PHOSPHOR BRONZE	(LEAD FREE)TIN/TIN ALLOY	(NOTE 5)
5	HOOK PIN	2	PHOSPHOR BRONZE	(LEAD FREE)TIN/TIN ALLOY	(NOTE 6)
4	HOOK LUG	2	ZINC ALLOY	NICKEL PLATING	
3	SHELL	1	STEEL	NICKEL PLATING	
2	INSULATOR	1	GLASS FILLED PPS		COLOR: BLACK UL94V-0
1	CONTACT	N	PHOSPHOR BRONZE	TABLE 2	

DOF-0-213D(98.02)

GDS-03-199-50088



LEAD FREE この製品は鉛フリーです