

10 mm (0.40 inch) Seven Segment Displays

Technical Data

HDSP-F00X Series
HDSP-F15X Series
HDSP-F20X Series
HDSP-F30X Series
HDSP-F40X Series
HDSP-F50X Series
HDSP-G00X Series
HDSP-G15X Series
HDSP-G20X Series
HDSP-G30X Series
HDSP-G40X Series
HDSP-G50X Series

Features

- **Industry Standard Size**
- **Industry Standard Pinout**
 - 7.6 mm (0.3 inch) DIP Single
 - 15.24 mm (0.6 inch) DIP Dual
 - Leads on 2.54 mm (0.1 inch) Centers
- **Choice of Colors**
 - Red, AlGaAs Red, High Efficiency Red, Orange, Yellow, Green
- **Excellent Appearance**
 - Evenly Lighted Segments
 - Mitered Corners on Segments
 - Gray Package Gives Optimum Contrast
 - ± 50° Viewing Angle
- **Design Flexibility**
 - Common Anode or Common Cathode
 - Single and Dual Digits
 - Right Hand Decimal Point
 - ± 1. Overflow Character
- **Categorized for Luminous Intensity**
 - Yellow and Green Categorized for Color
 - Use of Like Categories Yields a Uniform Display
- **High Light Output**
- **High Peak Current**
- **Excellent for Long Digit String Multiplexing**



- **Intensity and Color Selection Option**
- **Sunlight Viewable AlGaAs**

Devices

Red HDSP-	AlGaAs Red ⁽¹⁾ HDSP-	HER HDSP-	Orange HDSP-	Yellow HDSP-	Green HDSP-	Description	Package Drawing
F001	F151	F201	F401	F301	F501	Common Anode Right Hand Decimal	A
F003	F153	F203	F403	F303	F503	Common Cathode Right Hand Decimal	B
F007	F157	F207	F407	F307	F507	Common Anode ± 1. Overflow	C
F008	F158	F208	F408	F308	F508	Common Cathode ± 1. Overflow	D
G001	G151	G201	G401	G301	G501	Two Digit Common Anode Right Hand Decimal	E
G003	G153	G203	G403	G303	G503	Two Digit Common Cathode Right Hand Decimal	F

Note:

1. These displays are recommended for high ambient light operation. Please refer to the HDSP-F10X data sheet for low current operation.

Description

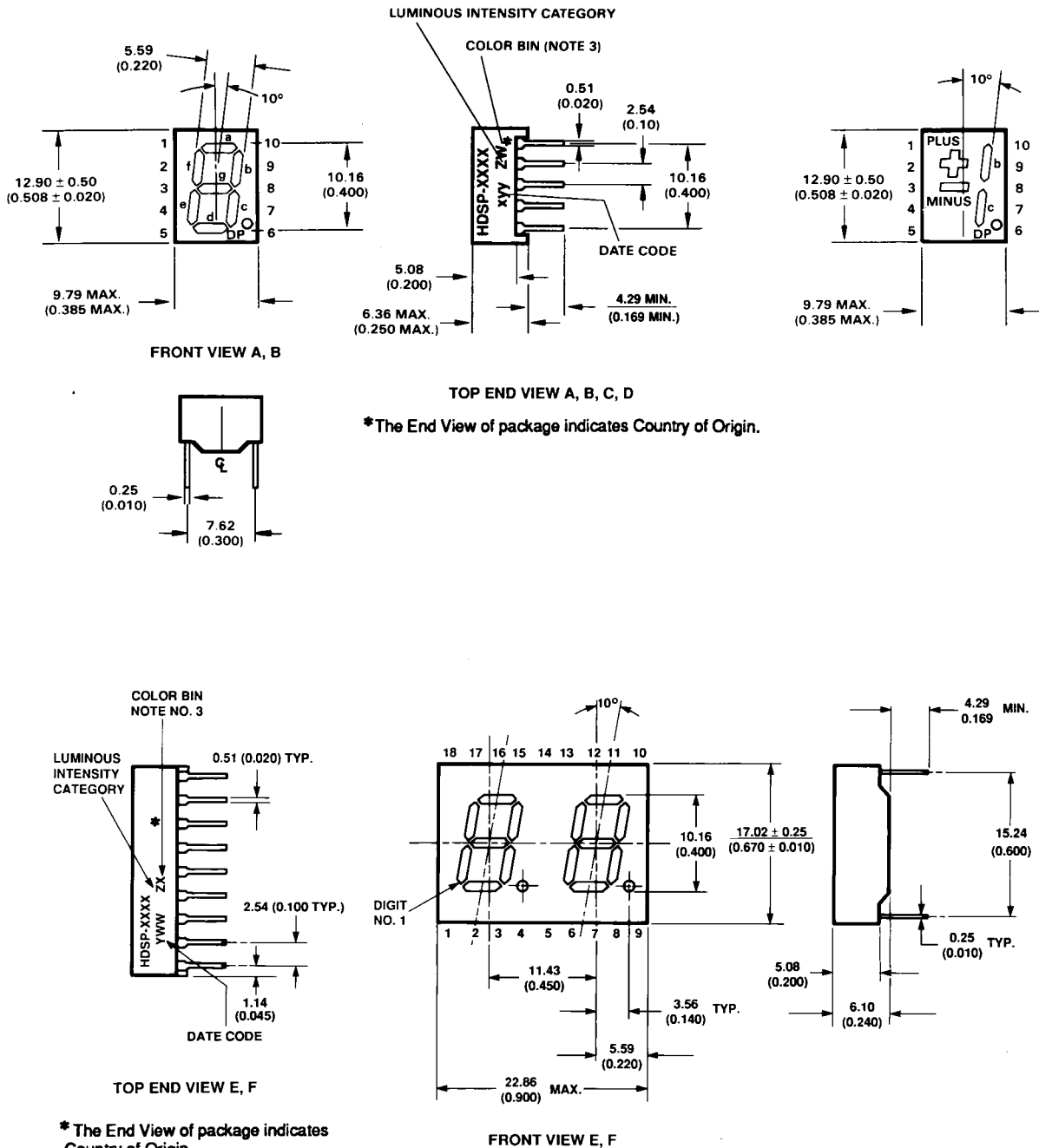
The 10 mm (0.40 inch) LED seven segment displays are HP's most space-efficient character size. They are designed for viewing distances up to 4.5

metres (15 feet). These devices use an industry standard size package and pinout. The dual numeric, single numeric, and ± 1. overflow devices feature a right hand decimal point. All devices

are available as either common anode or common cathode.

Typical applications include instruments, point of sale terminals, and appliances.

Package Dimensions

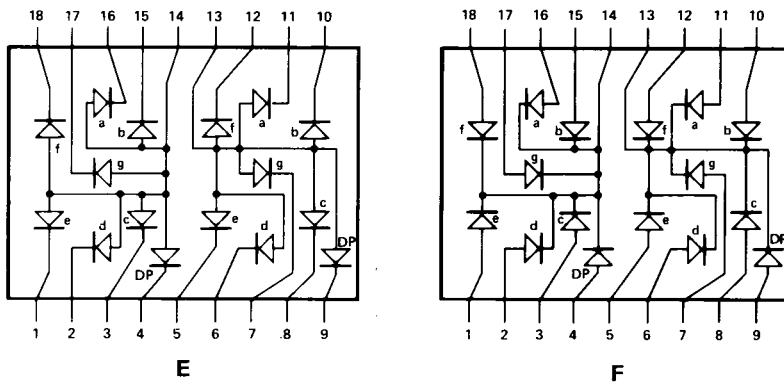
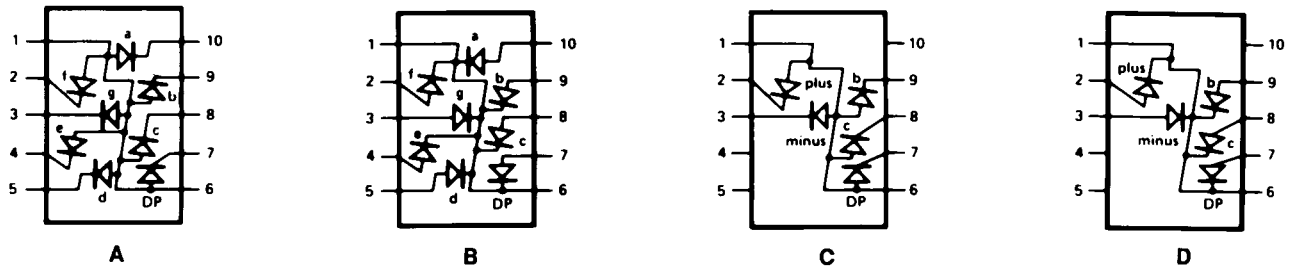


*The End View of package indicates Country of Origin.

*The End View of package indicates Country of Origin.

- NOTES:
 1. DIMENSIONS ARE IN MILLIMETRES (INCHES).
 2. ALL UNTOLERANCED DIMENSIONS ARE FOR REFERENCE ONLY.
 3. WHERE APPLICABLE.

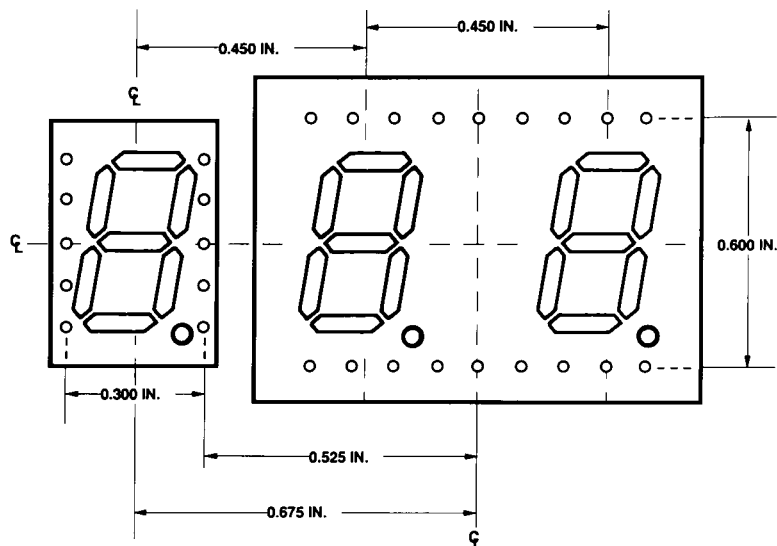
Internal Circuit Diagram



PIN	FUNCTION	
	E	F
1	E CATHODE NO. 1	E ANODE NO. 1
2	D CATHODE NO. 1	D ANODE NO. 1
3	C CATHODE NO. 1	C ANODE NO. 1
4	DP CATHODE NO. 1	DP ANODE NO. 1
5	E CATHODE NO. 2	E ANODE NO. 2
6	D CATHODE NO. 2	D ANODE NO. 2
7	G CATHODE NO. 2	G ANODE NO. 2
8	C CATHODE NO. 2	C ANODE NO. 2
9	CP CATHODE NO. 2	DP ANODE NO. 2
10	B CATHODE NO. 2	B ANODE NO. 2
11	A CATHODE NO. 2	A ANODE NO. 2
12	F CATHODE NO. 2	F ANODE NO. 2
13	DIGIT NO. 2 ANODE	DIGIT NO. 2 CATHODE
14	DIGIT NO. 1 ANODE	DIGIT NO. 1 CATHODE
15	B CATHODE NO. 1	B ANODE NO. 1
16	A CATHODE NO. 1	A ANODE NO. 1
17	G CATHODE NO. 1	G ANODE NO. 1
18	F CATHODE NO. 1	F ANODE NO. 1

PIN	FUNCTION			
	A	B	C	D
1	ANODE ^[1]	CATHODE ^[2]	ANODE ^[1]	CATHODE ^[2]
2	CATHODE f	ANODE f	CATHODE PLUS	ANODE PLUS
3	CATHODE g	ANODE g	CATHODE MINUS	ANODE MINUS
4	CATHODE e	ANODE e	NC	NC
5	CATHODE d	ANODE d	NC	NC
6	ANODE ^[1]	CATHODE ^[2]	ANODE ^[1]	CATHODE ^[2]
7	CATHODE DP	ANODE DP	CATHODE DP	ANODE DP
8	CATHODE c	ANODE c	CATHODE c	ANODE c
9	CATHODE b	ANODE b	CATHODE b	ANODE b
10	CATHODE a	ANODE a	NC	NC

NOTES:
 1. REDUNDANT ANODES
 2. REDUNDANT CATHODES



HOLE PATTERN FOR PCB LAYOUT TO ACHIEVE UNIFORM 0.450 IN. DIGIT TO DIGIT PITCH. FOR HDSP-FXXX TO HDSP-GXXX.

Absolute Maximum Ratings

Description	Red HDSP-F00X/G00X Series	AlGaAs Red HDSP-F15X/G15X Series	HER/Orange HDSP-F20X/G20X/G40X Series	Yellow HDSP-F30X/G30X Series	Green HDSP-F50X/G50X Series	Units
Average Power per Segment or DP	82	96	105	80	105	mW
Peak Forward Current per Segment or DP	150 ^[1]	160 ^[3]	90 ^[7]	60 ^[7]	90 ^[9]	mA
DC Forward Current per Segment or DP	25 ^[2]	40 ^[4]	30 ^[6]	20 ^[8]	30 ^[10]	mA
Operating Temperature Range	-40 to +100	-20 to +100 ^[11]	-40 to +100			°C
Storage Temperature Range	-55 to +100					°C
Reverse Voltage per Segment or DP	3.0					V
Lead Solder Temperature for 3 Seconds (1.59 mm [0.63 in.] below seating plane)	260					°C

Notes:

- See Figure 1 to establish pulsed conditions.
- Derate above 80°C at 0.63 mA/°C.
- See Figure 2 to establish pulsed conditions.
- Derate above 46°C at 0.54 mA/°C.
- See Figure 7 to establish pulsed conditions.
- Derate above 53°C at 0.45 mA/°C.
- See Figure 8 to establish pulsed conditions.
- Derate above 81°C at 0.52 mA/°C.
- See Figure 9 to establish pulsed conditions.
- Derate above 39°C at 0.37 mA/°C.
- For operation below -20°C, contact your local Agilent components sales office or an authorized distributor.

Electrical/Optical Characteristics at $T_A = 25^\circ\text{C}$

Red

Device Series	Parameter	Symbol	Min.	Typ.	Max.	Units	Test Conditions
HDSP-F00X/G00X	Luminous Intensity/Segment ^[1,2] (Digit Average)	I_V	650	1200		μcd	$I_F = 20\text{ mA}$
	Forward Voltage/Segment or DP	V_F		1.6	2.0	V	$I_F = 20\text{ mA}$
	Peak Wavelength	λ_{PEAK}		655		nm	
	Dominant Wavelength ^[3]	λ_d		640		nm	
	Reverse Voltage/Segment or DP ^[4]	V_R	3.0	12		V	$I_F = 100\ \mu\text{A}$
	Temperature Coefficient of V_F /Segment or DP	$\Delta V_F/^\circ\text{C}$		-2		mV/°C	
	Thermal Resistance LED Junction-to-Pin	$R\theta_{\text{J-PIN}}$		320		°C/W/Seg	

AlGaAs Red

Device Series	Parameter	Symbol	Min.	Typ.	Max.	Units	Test Conditions
HDSP-F15X/ G15X	Luminous Intensity/Segment ^[1,2,5] (Digit Average)	I_V	7.5	15.0		mcD	$I_F = 20 \text{ mA}$
	Forward Voltage/Segment or DP	V_F		1.8	2.2	V	$I_F = 20 \text{ mA}$
	Peak Wavelength	λ_{PEAK}		645		nm	
	Dominant Wavelength ^[3]	λ_d		637		nm	
	Reverse Voltage/Segment or DP ^[4]	V_R	3.0	15		V	$I_R = 100 \mu\text{A}$
	Temperature Coefficient of V_F /Segment or DP	$\Delta V_F/^\circ\text{C}$		-2		mV/°C	
	Thermal Resistance LED Junction-to-Pin	$R_{\theta_{J-PIN}}$		320		°C/W/Seg	

High Efficiency Red

Device Series	Parameter	Symbol	Min.	Typ.	Max.	Units	Test Conditions
HDSP-F20X/ G20X	Luminous Intensity/Segment ^[1,2] (Digit Average)	I_V	420	1200		μcd	$I_F = 5 \text{ mA}$
	Forward Voltage/Segment or DP	V_F		2.0	2.5	V	$I_F = 20 \text{ mA}$
	Peak Wavelength	λ_{PEAK}		635		nm	
	Dominant Wavelength ^[3]	λ_d		626		nm	
	Reverse Voltage/Segment or DP ^[4]	V_R	3.0	30		V	$I_R = 100 \mu\text{A}$
	Temperature Coefficient of V_F /Segment or DP	$\Delta V_F/^\circ\text{C}$		-2		mV/°C	
	Thermal Resistance LED Junction-to-Pin	$R_{\theta_{J-PIN}}$		320		°C/W/Seg	

Orange

Device Series	Parameter	Symbol	Min.	Typ.	Max.	Units	Test Conditions
HDSP-F40X/ G40X	Luminous Intensity/Segment ^[1,2] (Digit Average)	I_V	420	1200		μcd	$I_F = 5 \text{ mA}$
	Forward Voltage/Segment or DP	V_F		2.0	2.5	V	$I_F = 20 \text{ mA}$
	Peak Wavelength	λ_{PEAK}		600		nm	
	Dominant Wavelength ^[3]	λ_d		603		nm	
	Reverse Voltage/Segment or DP ^[4]	V_R	3.0	30		V	$I_R = 100 \mu\text{A}$
	Temperature Coefficient of V_F /Segment or DP	$\Delta V_F / ^\circ\text{C}$		-2		mV/ $^\circ\text{C}$	
	Thermal Resistance LED Junction-to-Pin	$R\theta_{\text{J-PIN}}$		320		$^\circ\text{C/W/Seg}$	

Yellow

Device Series	Parameter	Symbol	Min.	Typ.	Max.	Units	Test Conditions
HDSP-F30X/ G30X	Luminous Intensity/Segment ^[1,2] (Digit Average)	I_V	290	800		μcd	$I_F = 5 \text{ mA}$
	Forward Voltage/Segment or DP	V_F		2.2	2.5	V	$I_F = 20 \text{ mA}$
	Peak Wavelength	λ_{PEAK}		583		nm	
	Dominant Wavelength ^[3,6]	λ_d	581.5	586	592.5	nm	
	Reverse Voltage/Segment or DP ^[4]	V_R	3.0	40		V	$I_R = 100 \mu\text{A}$
	Temperature Coefficient of V_F /Segment or DP	$\Delta V_F / ^\circ\text{C}$		-2		mV/ $^\circ\text{C}$	
	Thermal Resistance LED Junction-to-Pin	$R\theta_{\text{J-PIN}}$		320		$^\circ\text{C/W/Seg}$	

High Performance Green

Device Series	Parameter	Symbol	Min.	Typ.	Max.	Units	Test Conditions
HDSP-F50X/G50X	Luminous Intensity/Segment ^[1,2] (Digit Average)	I_V	1030	3500		μcd	$I_F = 10 \text{ mA}$
	Forward Voltage/Segment or DP	V_F		2.1	2.5	V	$I_F = 10 \text{ mA}$
	Peak Wavelength	λ_{PEAK}		566		nm	
	Dominant Wavelength ^[3,6]	λ_d		571	577	nm	
	Reverse Voltage/Segment or DP ^[4]	V_R	3.0	50		V	$I_R = 100 \mu\text{A}$
	Temperature Coefficient of V_F /Segment or DP	$\Delta V_F / ^\circ\text{C}$		-2		mV/ $^\circ\text{C}$	
	Thermal Resistance LED Junction-to-Pin	$R\theta_{\text{J-PIN}}$		320		$^\circ\text{C}/\text{W}/\text{Seg}$	

Notes:

- Case temperature of device immediately prior to the intensity measurement is 25°C.
- The digits are categorized for luminous intensity. The intensity category is designated by a letter on the side of the package.
- The dominant wavelength, λ_d , is derived from the CIE chromaticity diagram and is that single wavelength which defines the color of the device.
- Typical specification for reference only. Do not exceed absolute maximum ratings.
- For low current operation, the AlGaAs HDSP-F10X, G10X series displays are recommended. They are tested at 1 mA dc/segment and are pin for pin compatible with the HDSP-F15X/G15X series.
- The Yellow (HDSP-F30X/G30X) series and Green (HDSP-F50X/G50X) series displays are categorized for dominant wavelength. The category is designated by a number adjacent to the luminous intensity category letter.

RED, AlGaAs Red

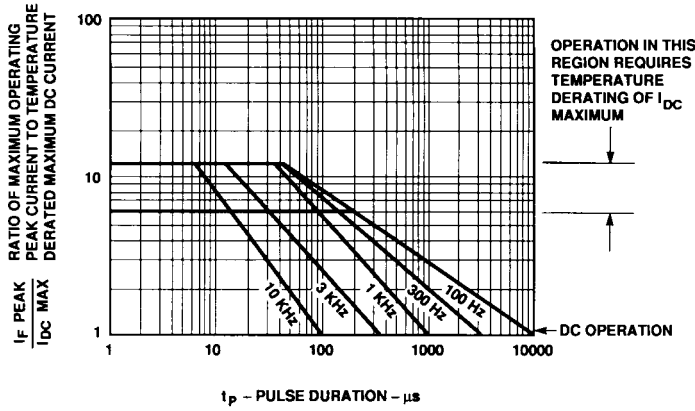


Figure 1. Maximum Tolerable Peak Current vs. Pulse Duration - Red.

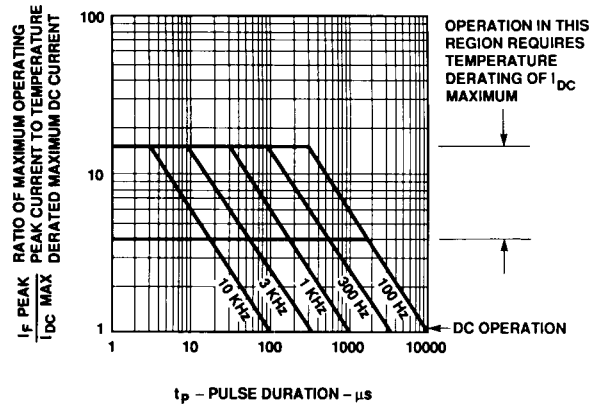


Figure 2. Maximum Tolerable Peak Current vs. Pulse Duration - AlGaAs Red.

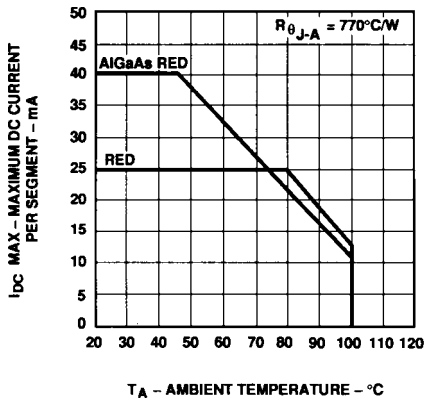


Figure 3. Maximum Allowable DC Current vs. Ambient Temperature.

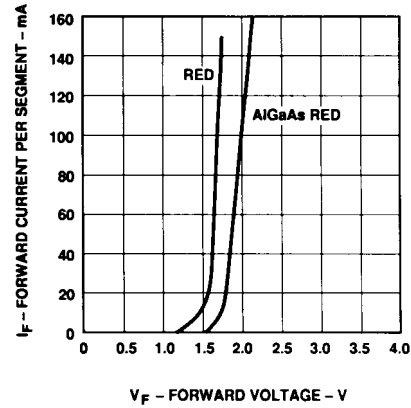


Figure 4. Forward Current vs. Forward Voltage.

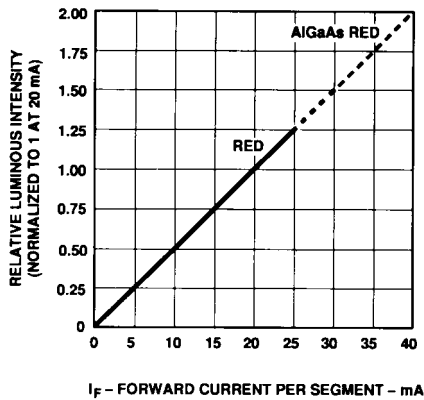


Figure 5. Relative Luminous Intensity vs. DC Forward Current.

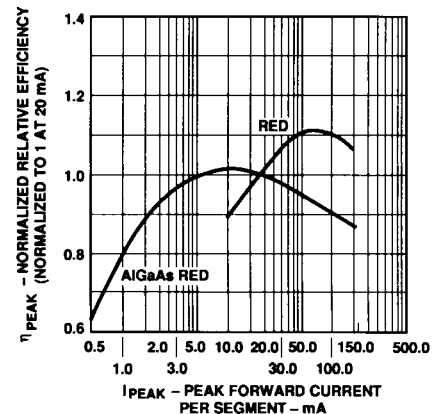


Figure 6. Relative Efficiency (Luminous Intensity per Unit Current) vs. Peak Current.

HER, Orange, Yellow, Green

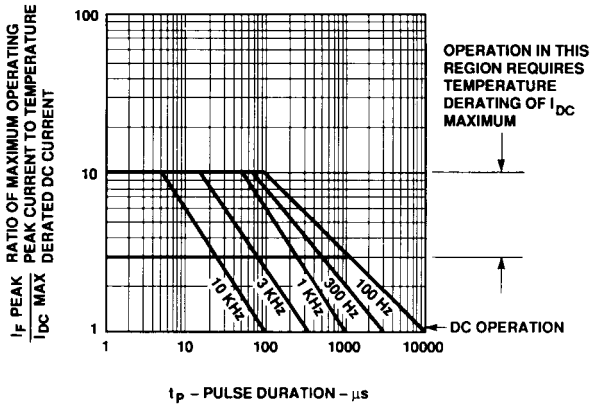


Figure 7. Maximum Tolerable Peak Current vs. Pulse Duration - HER, Orange.

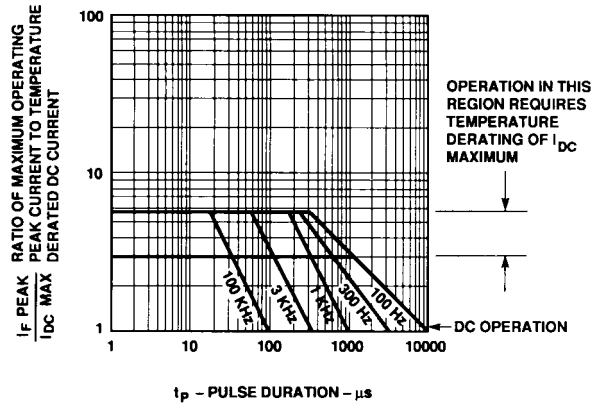


Figure 8. Maximum Tolerable Peak Current vs. Pulse Duration - Yellow.

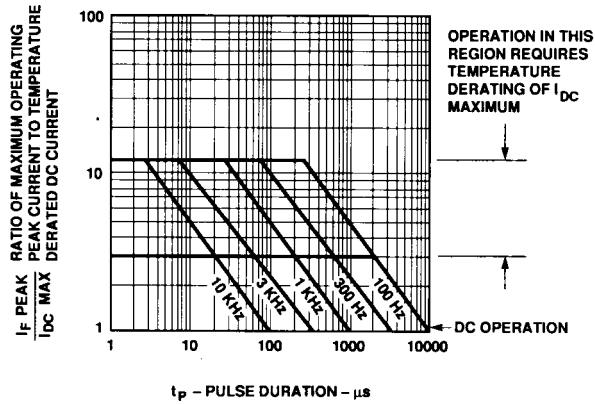


Figure 9. Maximum Tolerable Peak Current vs. Pulse Duration - Green.

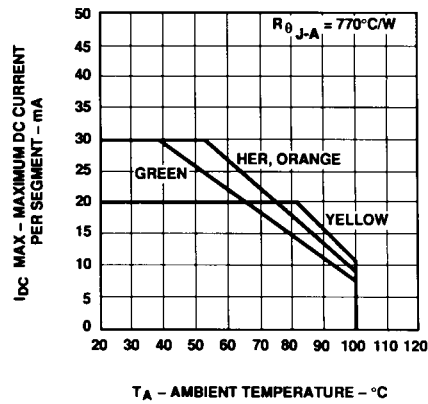


Figure 10. Maximum Allowable DC Current vs. Ambient Temperature.

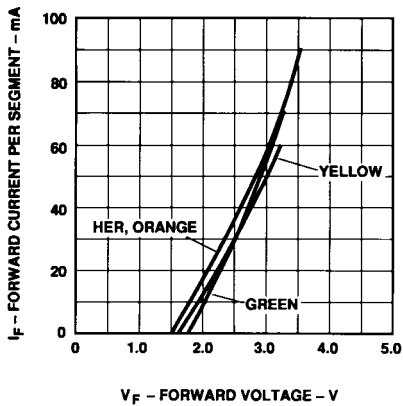


Figure 11. Forward Current vs. Forward Voltage Characteristics.

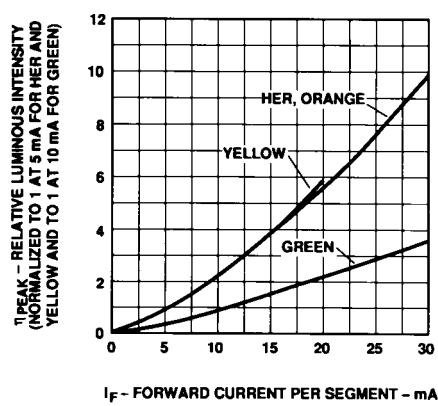


Figure 12. Relative Luminous Intensity vs. DC Forward Current.

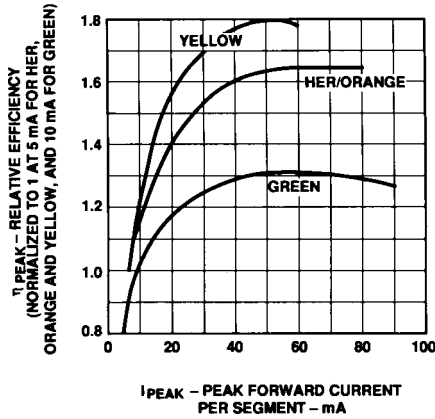


Figure 13. Relative Efficiency (Luminous Intensity per Unit Current) vs. Peak Current.

Contrast Enhancement

For information on contrast enhancement please see Application Note 1015.

Soldering/Cleaning

Cleaning agents from the ketone family (acetone, methyl ethyl ketone, etc.) and from the chlorinated hydrocarbon family (methylene chloride, trichloroethylene, carbon tetrachloride, etc.) are not recommended for cleaning LED parts. All of these various solvents attack or dissolve the encapsulating epoxies used to form the package of plastic LED parts.

For further information on soldering LEDs please refer to Application Note 1027.

Product Information and Literature

- [Events](#)
- [Guided Selection](#)
- [Library](#)
- [News Releases](#)
- [Order Information](#)
- [Partner Portal](#)
- [Product Index](#)

HDSP-G201-DE000

Preliminary Product Information

10 mm (0.4 inch) Seven Segment Displays

FEATURES

- Industry Standard Size
- Industry Standard Pinout
 1. 15.24 mm (0.6 inch) DIP Dual
 2. Leads on 2.54 mm (0.1 inch) Centers
- Choice of Color:HER
- Excellent Appearance
 1. Evenly Lighted Segments
 2. Mitered Corners on Segments
 3. Light Gray Package Gives Optimum Contrast
 4. 1500 Viewing Angle
- Design Flexibility
 1. Common Anode
 2. Dual Digits
 3. Right Hand Decimal Point
- Categorized for Luminous Intensity
 1. Use of Like Categories Yields a Uniform Display
- High Light Output
- High Peak Current
- Excellent for Long Digit String Multiplexing

[Add to my links](#)

[Keep me updated](#)

[Help downloading files](#)

DESCRIPTION

The 10 mm (0.40 inch) LED seven segment displays are Agilent's most space-efficient character size. They are designed for viewing distances up to 4.5 metres (15 feet). These devices use an industry standard size package and pinout. The dual numeric devices feature a right hand decimal point. All devices are available as either common anode or common cathode.

Product Data Sheets, Specification, and Performance Information

<input type="checkbox"/> Datasheet: HDSP-F/GXXX - 10 mm (0.4 inch) Seven Segment Displays	272 KB pdf	<input type="button" value="Click"/>	<input type="button" value="Click"/>
--	---------------	--------------------------------------	--------------------------------------

Application Information and Design Aids

- Application Note: 100 KB [Click](#) [Click](#)
[AN 1031- Achieving Uniform Front Panel Appearance using 2 Intensity Bin Select Option for LED Devices](#)
- Application Note: 62 KB [Click](#) [Click](#)
[AN 1005 - Operational considerations for LED lamps and display devices](#)

[Terms of Use](#)

[Privacy](#)

Product Information and Literature

- [Events](#)
- [Guided Selection](#)
- [Library](#)
- [News Releases](#)
- [Order Information](#)
- [Partner Portal](#)
- [Product Index](#)

HDSP-G201-DE000

Preliminary Product Information

10 mm (0.4 inch) Seven Segment Displays

FEATURES

- Industry Standard Size
- Industry Standard Pinout
 1. 15.24 mm (0.6 inch) DIP Dual
 2. Leads on 2.54 mm (0.1 inch) Centers
- Choice of Color:HER
- Excellent Appearance
 1. Evenly Lighted Segments
 2. Mitered Corners on Segments
 3. Light Gray Package Gives Optimum Contrast
 4. 1500 Viewing Angle
- Design Flexibility
 1. Common Anode
 2. Dual Digits
 3. Right Hand Decimal Point
- Categorized for Luminous Intensity
 1. Use of Like Categories Yields a Uniform Display
- High Light Output
- High Peak Current
- Excellent for Long Digit String Multiplexing

[Add to my links](#)

[Keep me updated](#)

[Help downloading files](#)

DESCRIPTION

The 10 mm (0.40 inch) LED seven segment displays are Agilent's most space-efficient character size. They are designed for viewing distances up to 4.5 metres (15 feet). These devices use an industry standard size package and pinout. The dual numeric devices feature a right hand decimal point. All devices are available as either common anode or common cathode.

Product Data Sheets, Specification, and Performance Information

Datasheet: HDSP-F/GXXX - 10 mm (0.4 inch) Seven Segment Displays	272 KB pdf	Click	Click
---	---------------	-----------------------	-----------------------

Application Information and Design Aids

- Application Note: 100 KB [Click](#) [Click](#)
[AN 1031- Achieving Uniform Front Panel Appearance using 2 Intensity Bin Select Option for LED Devices](#) pdf
- Application Note: 62 KB [Click](#) [Click](#)
[AN 1005 - Operational considerations for LED lamps and display devices](#) pdf

[Terms of Use](#)

[Privacy](#)

Product Information and Literature

- [Events](#)
- [Guided Selection](#)
- [Library](#)
- [News Releases](#)
- [Order Information](#)
- [Partner Portal](#)
- [Product Index](#)

HDSP-G201-EF000

Preliminary Product Information

10 mm (0.4 inch) Seven Segment Displays

FEATURES

- Industry Standard Size
- Industry Standard Pinout
 1. 15.24 mm (0.6 inch) DIP Dual
 2. Leads on 2.54 mm (0.1 inch) Centers
- Choice of Color:HER
- Excellent Appearance
 1. Evenly Lighted Segments
 2. Mitered Corners on Segments
 3. Light Gray Package Gives Optimum Contrast
 4. 1500 Viewing Angle
- Design Flexibility
 1. Common Cathode
 2. Dual Digits
 3. Right Hand Decimal Point
- Categorized for Luminous Intensity
 1. Use of Like Categories Yields a Uniform Display
- High Light Output
- High Peak Current
- Excellent for Long Digit String Multiplexing

[Add to my links](#)

[Keep me updated](#)

[Help downloading files](#)

DESCRIPTION

The 10 mm (0.40 inch) LED seven segment displays are Agilent's most space-efficient character size. They are designed for viewing distances up to 4.5 metres (15 feet). These devices use an industry standard size package and pinout. The dual numeric devices feature a right hand decimal point. All devices are available as either common anode or common cathode.

Product Data Sheets, Specification, and Performance Information

<p><input type="checkbox"/> Datasheet: HDSP-F/GXXX - 10 mm (0.4 inch) Seven Segment Displays</p>	<p>272 KB pdf</p>	<p>Click Click</p>
--	-----------------------	--

Application Information and Design Aids

- Application Note: 100 KB [Click](#) [Click](#)
[AN 1031- Achieving Uniform Front Panel Appearance using 2 Intensity Bin Select Option for LED Devices](#)
- Application Note: 62 KB [Click](#) [Click](#)
[AN 1005 - Operational considerations for LED lamps and display devices](#)

[Terms of Use](#)

[Privacy](#)

Product Information and Literature

- [Events](#)
- [Guided Selection](#)
- [Library](#)
- [News Releases](#)
- [Order Information](#)
- [Partner Portal](#)
- [Product Index](#)

HDSP-G503-JK000

Preliminary Product Information

10 mm (0.4 inch) Seven Segment Displays

FEATURES

- Industry Standard Size
 1. 15.24 mm (0.6 inch) DIP Dual
 2. Leads on 2.54 mm (0.1 inch) Centers
- Choice of Color:Green
- Excellent Appearance
 1. Evenly Lighted Segments
 2. Mitered Corners on Segments
 3. Gray Package Gives Optimum Contrast
 4. 1500 Viewing Angle
- Design Flexibility
 1. Common Cathode
 2. Dual Digits
 3. Right Hand Decimal Point
- Categorized for Luminous Intensity
 1. Green categorized for Color
 2. Use of Like Categories Yields a Uniform Display
- High Light Output
- High Peak Current
- Excellent for Long Digit String Multiplexing

[Add to my links](#)

[Keep me updated](#)

[Help downloading files](#)

DESCRIPTION

The 10 mm (0.40 inch) LED seven segment displays are Agilent's most space-efficient character size. They are designed for viewing distances up to 4.5 metres (15 feet). These devices use an industry standard size package and pinout. The dual numeric devices feature a right hand decimal point. All devices are available as either common anode or common cathode.

Product Data Sheets, Specification, and Performance Information

<p><input type="checkbox"/> Datasheet: HDSP-F/GXXX - 10 mm (0.4 inch) Seven Segment Displays</p>	<p>272 KB pdf</p>	<p>Clid Clid</p>
---	-----------------------	--

Application Information and Design Aids

- Application Note: 100 KB [Click](#) [Click](#)
[AN 1031- Achieving Uniform Front Panel Appearance using 2 Intensity Bin Select Option for LED Devices](#)
- Application Note: 62 KB [Click](#) [Click](#)
[AN 1005 - Operational considerations for LED lamps and display devices](#)

[Terms of Use](#)

[Privacy](#)