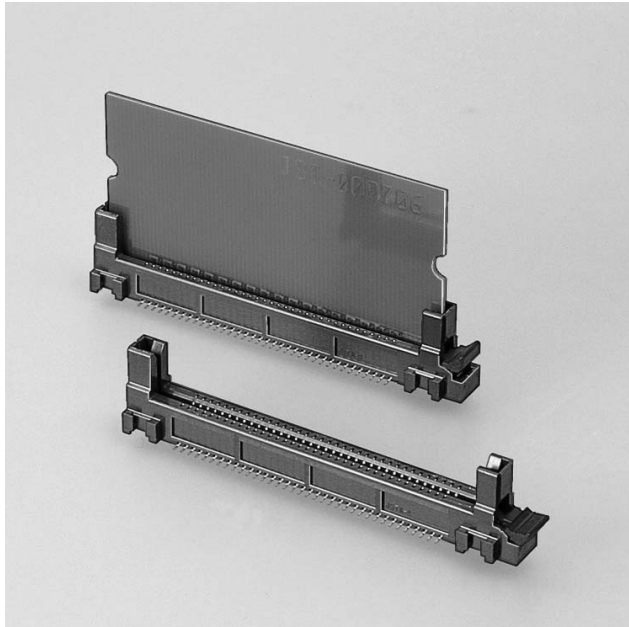
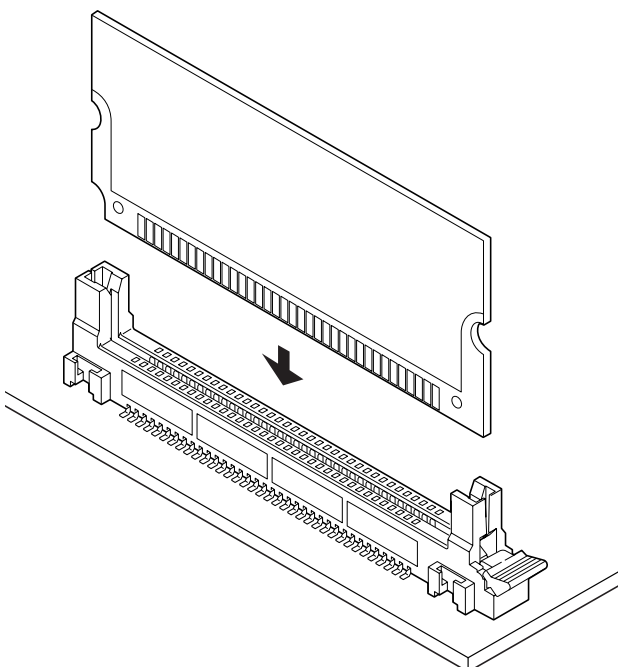


# DM-72P CONNECTOR

Socket for DIMM



**Standardized by the JEDEC (MO-160).**  
**The DM connector is the straight type of the DIMM socket, applicable to the module PC board whose operating voltage is 3.3V.**



## Features

- **Easy module ejecting**

The module can be disengaged easily by using the eject button.

- **14mm height**

With its 14mm height, the DM connector is applicable to various equipment.

## Specifications

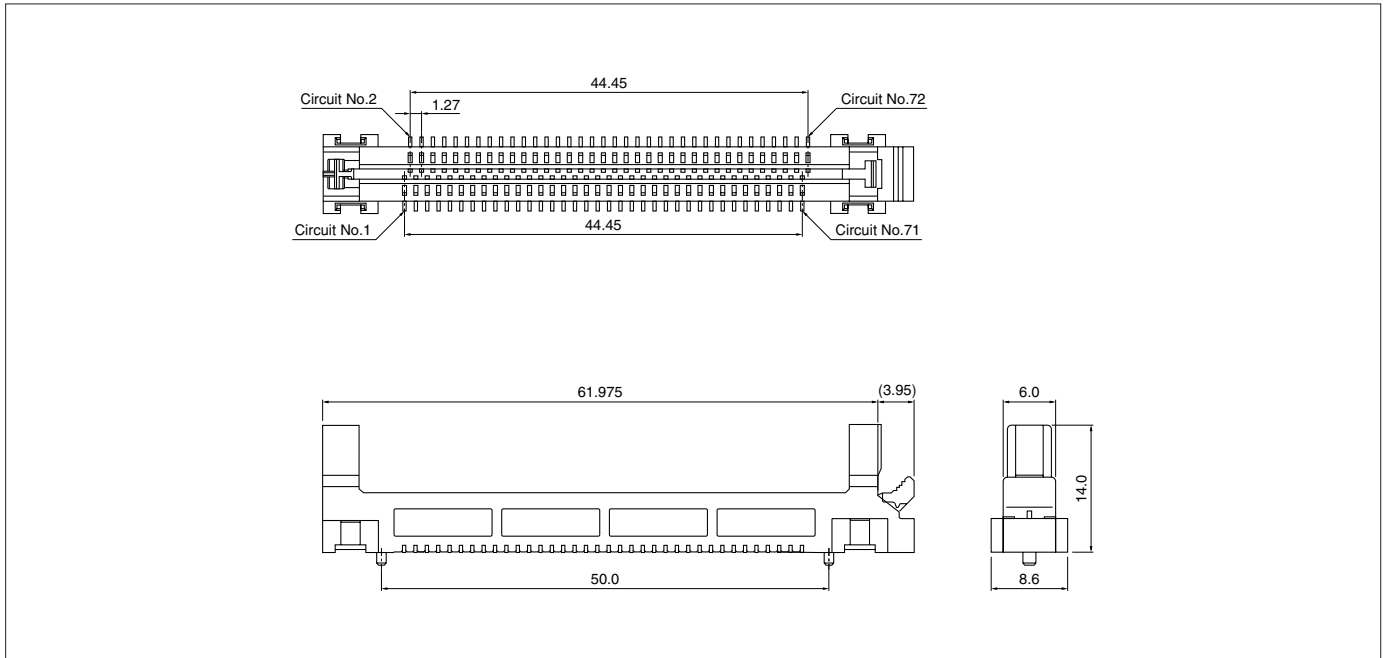
- Current rating: 0.5A AC, DC
- Voltage rating: 250V AC, DC
- Temperature range: -25°C to +85°C  
(including temperature rise in applying electrical current)
- Insulation resistance: 250M  $\Omega$  min.
- Withstanding voltage: 250V AC/minute
- \* Compliant with RoHS.
- \* Refer to "General Instruction and Notice when using Terminals and Connectors" at the end of this catalog.
- \* Contact JST for details.

## Standards

 Recognized E60389

# DM-72P CONNECTOR

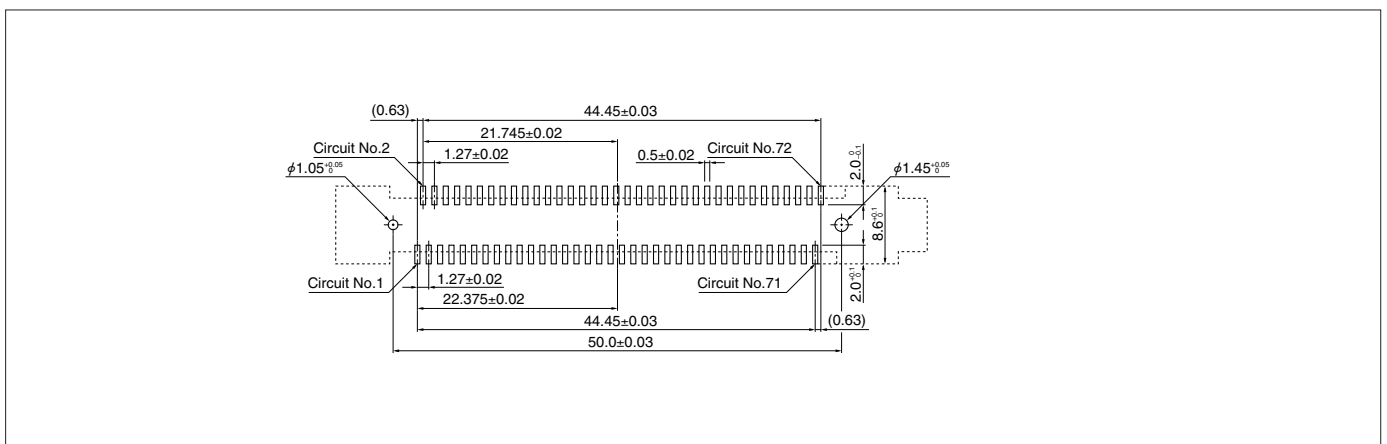
## Connector



Model No.	Material and Finish	Q'ty / box
DM-2D4-N3200	Contact: Copper alloy, nickel-undercoated, gold-plated Housing: Heat resisting resin, UL94V-0 Ejector: Heat resisting resin, UL94V-0	224

RoHS compliance

## PC board layout (viewed from component side)

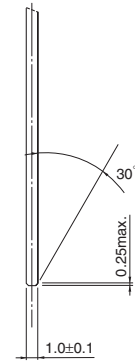
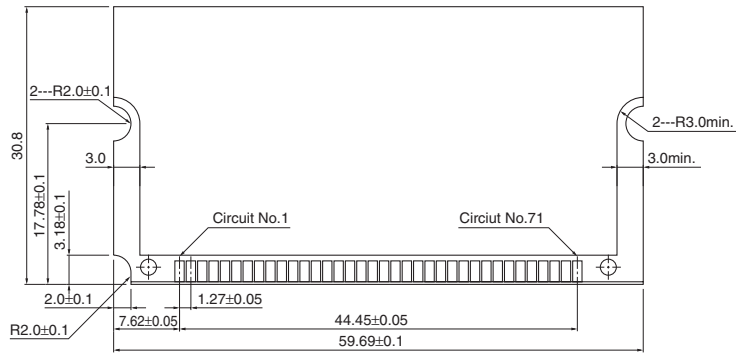


Note:

1. Tolerances are non-cumulative:  $\pm 0.02\text{mm}$  for all centers.
2. The dimensions above should serve as a guideline. Contact JST for details.

# DM-72P CONNECTOR

## Applicable PC board layout (for reference)



Edge of PC board

