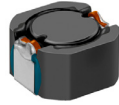
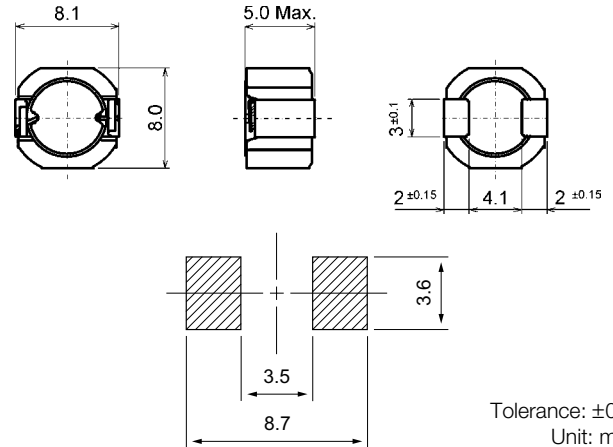


TYPE DS85LC

Inductance Range: 1.1 - 82 μ H
Frequency Range: 0.1 - 1MHz



Dimensions & Recommended Patterns:



Description

The TOKO DS85LC Series of magnetically shielded surface mount fixed inductors are designed for general purpose DC-DC converter applications in consumer electronics platforms.

Features

- 8.4mm x 8.3mm footprint
- 5.0mm maximum height
- Magnetically shielded
- Reflow solderable
- Packaged on 500 piece reels
- Lead-free terminations

STANDARD PARTS SELECTION GUIDE

- (1) Inductance is measured by LCR-meter 4284A (Agilent) or equivalent.
- (2) DC resistance is measured by Digital Multimeter TR6871 (Advantest) or equivalent.
- (3) Maximum allowable DC current is that which causes a 10% inductance reduction from the initial value, or coil temperature to rise by 40°C, whichever is smaller. (Reference ambient temperature 20°C).

TYPE DS85LC

TOKO Part Number	Inductance ⁽¹⁾ (μ H)	Tolerance (%)	DC ⁽²⁾ Resistance (Ω) max.	Inductance ⁽³⁾ Decrease Current -10% (A) max.	Temperature ⁽³⁾ Rise Current +40°C Δ T (A) max.
B1000AS-1R1N=P3	1.1	\pm 30	0.012	8.0	6.5
B1000AS-1R6N=P3	1.6	\pm 30	0.015	6.6	5.9
B1000AS-2R2N=P3	2.2	\pm 30	0.016	5.5	5.6
B1000AS-3R0N=P3	3.0	\pm 30	0.018	4.8	5.1
B1000AS-3R9N=P3	3.9	\pm 30	0.021	4.3	4.8
B1000AS-4R7N=P3	4.7	\pm 30	0.022	3.8	4.6
B1000AS-5R6N=P3	5.6	\pm 30	0.029	3.5	3.9
B1000AS-6R8N=P3	6.8	\pm 30	0.038	3.1	3.4
B1000AS-8R2N=P3	8.2	\pm 30	0.041	2.7	3.2
B1000AS-100M=P3	10	\pm 20	0.051	2.5	2.9
B1000AS-120M=P3	12	\pm 20	0.060	2.3	2.6
B1000AS-150M=P3	15	\pm 20	0.077	2.1	2.2
B1000AS-180M=P3	18	\pm 20	0.100	1.9	1.9
B1000AS-220M=P3	22	\pm 20	0.115	1.7	1.8
B1000AS-270M=P3	27	\pm 20	0.130	1.6	1.7
B1000AS-330M=P3	33	\pm 20	0.145	1.4	1.6
B1000AS-390M=P3	39	\pm 20	0.160	1.3	1.5
B1000AS-470M=P3	47	\pm 20	0.170	1.2	1.4
B1000AS-560M=P3	56	\pm 20	0.195	1.1	1.4
B1000AS-680M=P3	68	\pm 20	0.235	0.96	1.2
B1000AS-820M=P3	82	\pm 20	0.325	0.87	1.0

Note: =P3 is added to each part number to indicate tape and reel packaging.



The information furnished by TOKO, Inc. is believed to be accurate and reliable. However, TOKO reserves the right to make changes or improvements in the design, specification or manufacture of its products without further notice. TOKO does not assume any liability arising from the application or use of any product or circuit described herein, nor for any infringements of patents or other rights of third parties which may result from the use of its products. No license is granted by implication or otherwise under any patent or patent rights of TOKO, Inc.