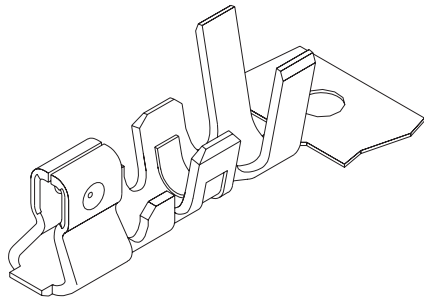


# 1.50mm (.059") Pitch Pico-SPOX™ Wire-to-Board Crimp Terminal 87421



Order No.	Lead-free
<a href="#">87421-0000</a>	Yes

### Features and Benefits

- Low profile
- Locking tang snaps into housing window for secure retention
- Dual-point contact design
- Anti-fishhooking box design protects contact area

### Reference Information

Product Specification: PS-87437  
 Packaging: Reel  
 Wire Style: UL1061  
 UL File No.: E29179  
 CSA File No.: LR19980A  
 Use With: 87439 housing  
 Designed In: Millimeters

### Electrical

Voltage: 30V  
 Current:

AWG	24	26	28	30
	3.0A	2.0A	1.5A	1.5A

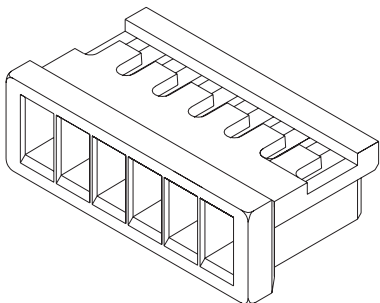
Contact Resistance: 40 milliohms max.  
 Dielectric Withstanding Voltage: 500V AC  
 Insulation Resistance: 1000 Megohms min.

### Physical

Contact: Phosphor Bronze  
 Plating: Tin  
 Wire Range: 24, 26, 28, 30 AWG  
 Operating Temperature: -55 to +105°C  
 Insulation Diameter: 1.10mm dia. max.

[www.molex.com/customer.html?seriesNumber=87421](http://www.molex.com/customer.html?seriesNumber=87421)

# 1.50mm (.059") Pitch Pico-SPOX™ Wire-to-Board Housing 87439



### Features and Benefits

- Sizes 2 to 15 circuits
- Standard with center locking ramp
- Locking windows secure terminal to housing
- Lead-in chamfer facilitates mating

### Reference Information

Product Specification: PS-87437  
 Packaging: Bag  
 UL File No.: E29179  
 CSA File No.: LR19980A  
 Mates With: 87437 and 87438 headers  
 Use With: 87421 crimp terminal  
 Designed In: Millimeters

### Physical

Housing: Natural glass-filled 6/6 nylon, UL 94V-0  
 Operating Temperature: -55 to + 105°C

Circuits	Order No.
2	<a href="#">87439-0200</a>
3	<a href="#">87439-0300</a>
4	<a href="#">87439-0400</a>
5	<a href="#">87439-0500</a>
6	<a href="#">87439-0600</a>
7	<a href="#">87439-0700</a>
8	<a href="#">87439-0800</a>

Circuits	Order No.
9	<a href="#">87439-0900</a>
10	<a href="#">87439-1000</a>
11	<a href="#">87439-1100</a>
12	<a href="#">87439-1200</a>
13	<a href="#">87439-1300</a>
14	<a href="#">87439-1400</a>
15	<a href="#">87439-1500</a>