

FEATURES AND SPECIFICATIONS

Features & Benefits

- ST compatible bayonet coupling ensures complete compatibility with existing ST type hardware
- One piece body design reduces termination time and is field installable - essentially preassembled
- Standard crimp and crimpless screw type KEVLAR[®] retention provides a variety of termination options
- Low insertion loss provides superior performance
- Variety of connector styles are available, including long boot, short boot, 90° boot and 900µm buffered fiber

Applications

- Telecommunication networks
- Local Area Networks (LANs)
- Data processing networks
- Premise installations
- Instrumentation

Reference Information

Housing: UL V-0



Connectors and Adapters



[†]ST is a trademark of Lucent Technologies

[®]KEVLAR is a registered trademark of E. I. duPont de Nemours & Co., Inc.

The ST series of connectors are designed for distribution applications and are fully compatible with existing ST type hardware. Five connector styles are available in both the multimode and singlemode versions. The screw-on KEVLAR captivation mechanism, in the long boot style, provides excellent retention without the expense and inconvenience of crimp tools. If the crimping method of KEVLAR retention is preferred, 3 options are available. A long boot style is

designed to provide superior strain relief while the short boot style is designed for small bend radius applications where space is limited. For sensitive applications where controlled and managed bends are required, the 90° boot is available. A boot for 900µm buffered fiber is also available. High quality, pre-polished and pre-radiused ceramic ferrules are combined with the latest engineering polymers and metals to produce the ST connectors. Pre-polished ferrules minimize

the polishing times and provide a consistent ferrule end face geometry. When combined with the Molex termination kit and methods, the Molex ST connectors produce superior results both in the factory and in the field. A broad range of ST adapters are available to compliment the connectors. Metal or polymer versions are available with either the precise ceramic, metal or the cost effective polymer alignment sleeves.

ORDERING INFORMATION

Connectors

Part No.	Body	Mode	Insertion Loss/ Return Loss	Ferrule Material	Ferrule Hole Size	Cable Type	Cable Size	Boot	Kevlar Retention	Mates With					
86010-5000	Polymer	Singlemode	0.17 dB SPC >45 dB UPC >55 dB	Ceramic	126µm	Simplex	2.40 and 3.00mm (.094" and .118")	Black, Long	Screw	Ceramic Sleeve Adapters					
86010-5200					126µm	Simplex	2.40 and 3.00mm (.094" and .118")	Black, Short	Crimp						
86010-5300					126µm	Simplex	2.40 and 3.00mm (.094" and .118")	Black, Long	Crimp						
86010-5400					126µm	Simplex	3.00mm (.118")	Black, 90°	Screw						
86010-5440					126µm	Simplex	3.00mm (.118")	Red, 90°	Screw						
86010-5500					126µm	Buffered/Bare Fiber	900µm	Black	Screw						
86010-7000					127µm	Simplex	2.40 and 3.00mm (.094" and .118")	Black, Long	Screw						
86010-7200					127µm	Simplex	2.40 and 3.00mm (.094" and .118")	Black, Short	Crimp						
86010-7300					127µm	Simplex	2.40 and 3.00mm (.094" and .118")	Black, Long	Crimp						
86010-7400					127µm	Simplex	3.00mm (.118")	Black, 90°	Screw						
86010-7500					127µm	Buffered/Bare Fiber	900µm	Black	Screw						
86012-5000					Metal	Singlemode	0.17 dB SPC >45 dB UPC >55 dB	Ceramic	126µm		Simplex	2.40 and 3.00mm (.094" and .118")	Black, Long	Screw	Ceramic Sleeve Adapters
86012-5200									126µm		Simplex	2.40 and 3.00mm (.094" and .118")	Black, Short	Crimp	
86012-5300									126µm		Simplex	2.40 and 3.00mm (.094" and .118")	Black, Long	Crimp	
86012-5400									126µm		Simplex	3.00mm (.118")	Black, 90°	Screw	
86012-5440	126µm	Simplex	3.00mm (.118")	Red, 90°					Screw						
86012-5500	126µm	Buffered/Bare Fiber	900µm	Black					Screw						
86012-7000	127µm	Simplex	2.40 and 3.00mm (.094" and .118")	Black, Long					Screw						
86012-7200	127µm	Simplex	2.40 and 3.00mm (.094" and .118")	Black, Short					Crimp						
86012-7300	127µm	Simplex	2.40 and 3.00mm (.094" and .118")	Black, Long					Crimp						
86012-7400	127µm	Simplex	3.00mm (.118")	Black, 90°					Screw						
86012-7440	127µm	Simplex	3.00mm (.118")	Red, 90°					Screw						
86012-7500	127µm	Buffered/Bare Fiber	900µm	Black					Screw						

Connectors

Part No.	Body	Mode	Insertion Loss/ Return Loss	Ferrule Material	Ferrule Hole Size	CableType	Cable Size	Boot	Kevlar Retention	Mates With			
86010-0000	Polymer	Multimode	.034 dB	Ceramic	Standard 127 μ m	Simplex	2.40 and 3.00mm (.094" and .118")	Black, Long	Screw	Polymer or Metal Sleeve Adapters			
86010-0200			.034 dB		Standard 127 μ m	Simplex	2.40 and 3.00mm (.094" and .118")	Black, Short	Crimp				
86010-0300			.034 dB		Standard 127 μ m	Simplex	2.40 and 3.00mm (.094" and .118")	Black, Long	Crimp				
86010-0400			.034 dB		Standard 127 μ m	Simplex	3.00mm (.118")	Black, 90°	Screw				
86010-0440			.034 dB		Standard 127 μ m	Simplex	3.00mm (.118")	Red, 90°	Screw				
86010-0500			0.34 dB		Standard 127 μ m	Buffered/Bare Fiber	900 μ m	Black	Screw				
86010-1000			0.15 dB		144 μ m	Simplex	2.40 and 3.00mm (.094" and .118")	Black, Long	Screw				
86010-1200			0.15 dB		144 μ m	Simplex	2.40 and 3.00mm (.094" and .118")	Black, Short	Crimp				
86010-1300			0.15 dB		144 μ m	Simplex	2.40 and 3.00mm (.094" and .118")	Black, Long	Crimp				
86010-1400			0.15 dB		144 μ m	Simplex	3.00mm (.118")	Black, 90°	Screw				
86010-1440			0.15 dB		144 μ m	Simplex	3.00mm (.118")	Red, 90°	Screw				
86010-1500			0.15 dB		144 μ m	Buffered/Bare Fiber	900 μ m	Black	Screw				
86010-3000			0.15 dB		Enhanced 128 μ m	Simplex	2.40 and 3.00mm (.094" and .118")	Black, Long	Screw				
86010-3200			0.15 dB		Enhanced 128 μ m	Simplex	2.40 and 3.00mm (.094" and .118")	Black, Short	Crimp				
86010-3300			0.15 dB		Enhanced 128 μ m	Simplex	2.40 and 3.00mm (.094" and .118")	Black Long	Crimp				
86010-3400			0.15 dB		Enhanced 128 μ m	Simplex	3.00mm (.118")	Black, 90°	Screw				
86010-3440			0.15 dB		Enhanced 128 μ m	Simplex	3.00mm (.118")	Red, 90°	Screw				
86010-3500			0.15 dB		Enhanced 128 μ m	Buffered/Bare Fiber	900 μ m	Black	Screw				
86012-0000			Metal		Multimode	0.34 dB	Metal	Standard 127 μ m	Simplex		2.40 and 3.00mm (.094" and .118")	Black, Long	Screw
86012-0200						0.34 dB		Standard 127 μ m	Simplex		2.40 and 3.00mm (.094" and .118")	Black, Short	Crimp
86012-0300						0.34 dB		Standard 127 μ m	Simplex		2.40 and 3.00mm (.094" and .118")	Black, Long	Crimp
86012-0400						0.34 dB		Standard 127 μ m	Simplex		3.00mm (.118")	Black, 90°	Screw
86012-0440						0.34 dB		Standard 127 μ m	Simplex		3.00mm (.118")	Red, 90°	Screw
86012-0500						0.34 dB		Standard 127 μ m	Buffered/Bare Fiber		900 μ m	Black	Screw
86012-1000						0.15 dB		144 μ m	Simplex		2.40 and 3.00mm (.094" and .118")	Black, Long	Screw
86012-1200						0.15 dB		144 μ m	Simplex		2.40 and 3.00mm (.094" and .118")	Black, Short	Crimp
86012-1300						0.15 dB		144 μ m	Simplex		2.40 and 3.00mm (.094" and .118")	Black, Long	Crimp
86012-1400						0.15 dB		144 μ m	Simplex		3.00mm (.118")	Black, 90°	Screw
86012-1440						0.15 dB		144 μ m	Simplex		3.00mm (.118")	Red, 90°	Screw
86012-1500						0.15 dB		144 μ m	Buffered/Bare Fiber		900 μ m	Black	Screw
86012-3000						0.15 dB		Enhanced 128 μ m	Simplex		2.40 and 3.00mm (.094" and .118")	Black, Long	Screw
86012-3200						0.15 dB		Enhanced 128 μ m	Simplex		2.40 and 3.00mm (.094" and .118")	Black, Short	Crimp
86012-3300	0.15 dB	Enhanced 128 μ m		Simplex		2.40 and 3.00mm (.094" and .118")		Black, Long	Crimp				
86012-3400	0.15 dB	Enhanced 128 μ m		Simplex		3.00mm (.118")		Black, 90°	Screw				
86012-3440	0.15 dB	Enhanced 128 μ m		Simplex		3.00mm (.118")		Red, 90°	Screw				
86012-3500	0.15 dB	Enhanced 128 μ m		Buffered/Bare Fiber		900 μ m		Black	Screw				

ST to ST Adapters

Part No.	Body	Mounting Style	Alignment Sleeve
86110-0000	Black	Double D-Hole	Ceramic
86112-0000			Metal
86113-0000			Polymer
86110-1000	Metal		Ceramic
86112-1000			Metal
86113-1000			Polymer

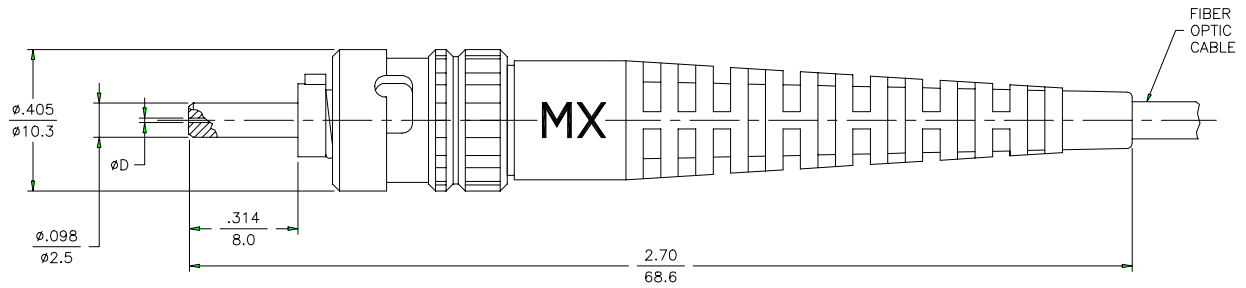
ST to FC Adapter

Part No.	Body	Mounting Style	Alignment Sleeve
86172-0000	Metal	D-Hole	Ceramic

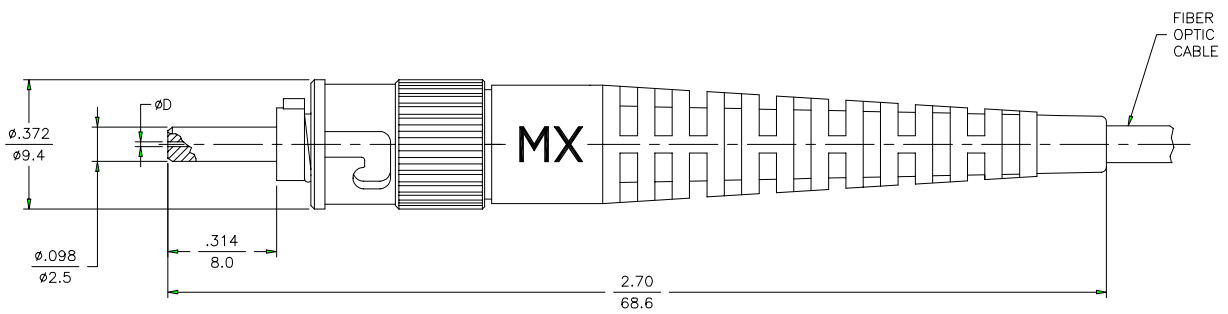
PERFORMANCE AND SPECIFICATIONS

Characteristics	Units	Minimum	Maximum	Comments
Durability	-dB		0.01	FOTP-21A, 1000 Cycles, Cleaning Every 100 Cycles
Storage Temperature Range	°C	-40	+80	May Be Further Limited By Cable Specifications
Operating Temperature Range	°C	-40	+80	May Be Further Limited By Cable Specifications
Thermal Shock	-dB		0.01	-40 to +60°C 10 Cycles
Temperature Cycle	-dB		0.01	-40 to +80°C 40 Cycles
Humidity Cycling	-dB		0.01	FOTP-5, +60°C at 95% RH for 504 Hours
Cable Retention	-dB		0.02	FOTP-6, 40 lb. Load Without Adhesive

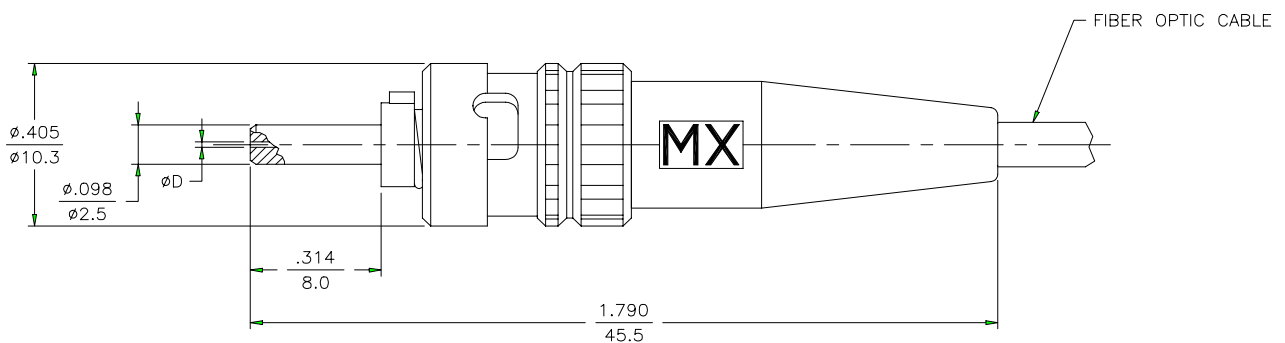
ST CONNECTOR, POLYMER LONG BOOT



ST CONNECTOR, METAL LONG BOOT

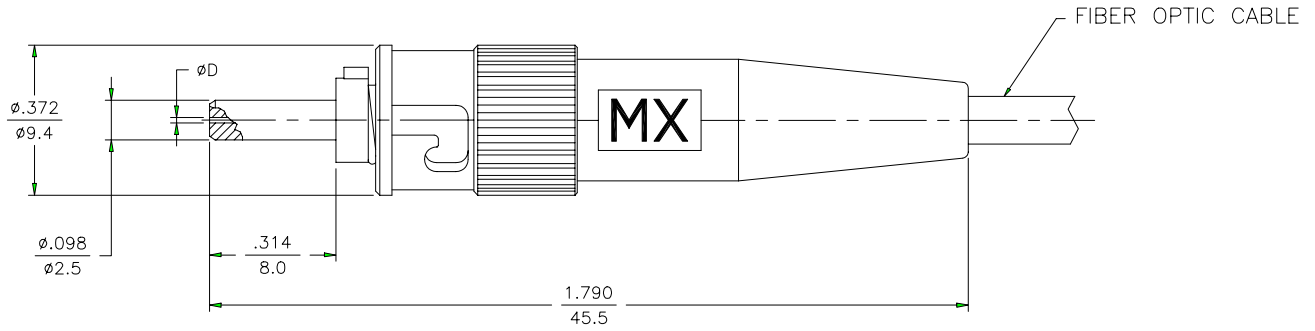


ST CONNECTOR, POLYMER SHORT BOOT

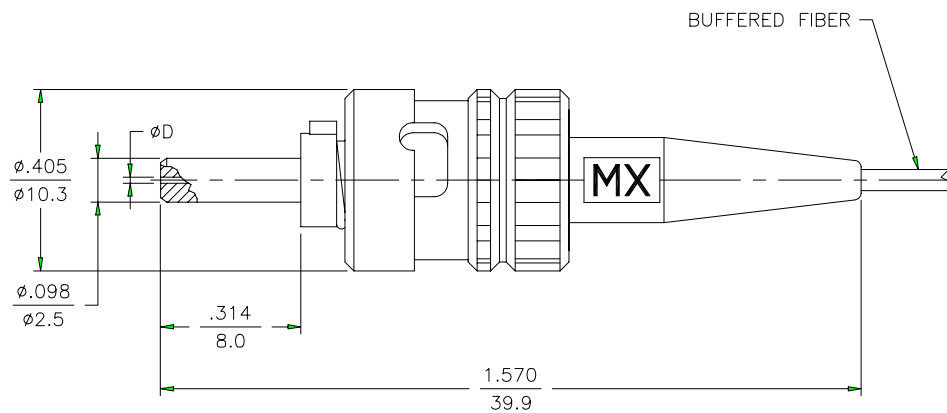


All Dimensions in **INCHES**
mm

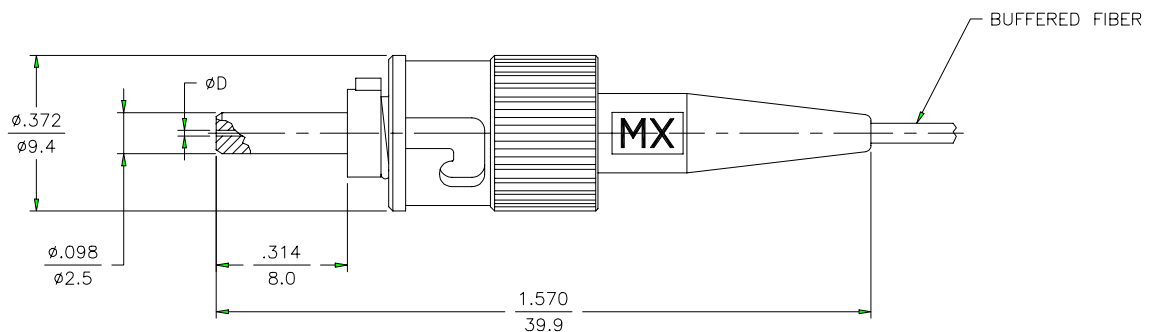
ST CONNECTOR, METAL SHORT BOOT



ST CONNECTOR, POLYMER 900 μ m BOOT

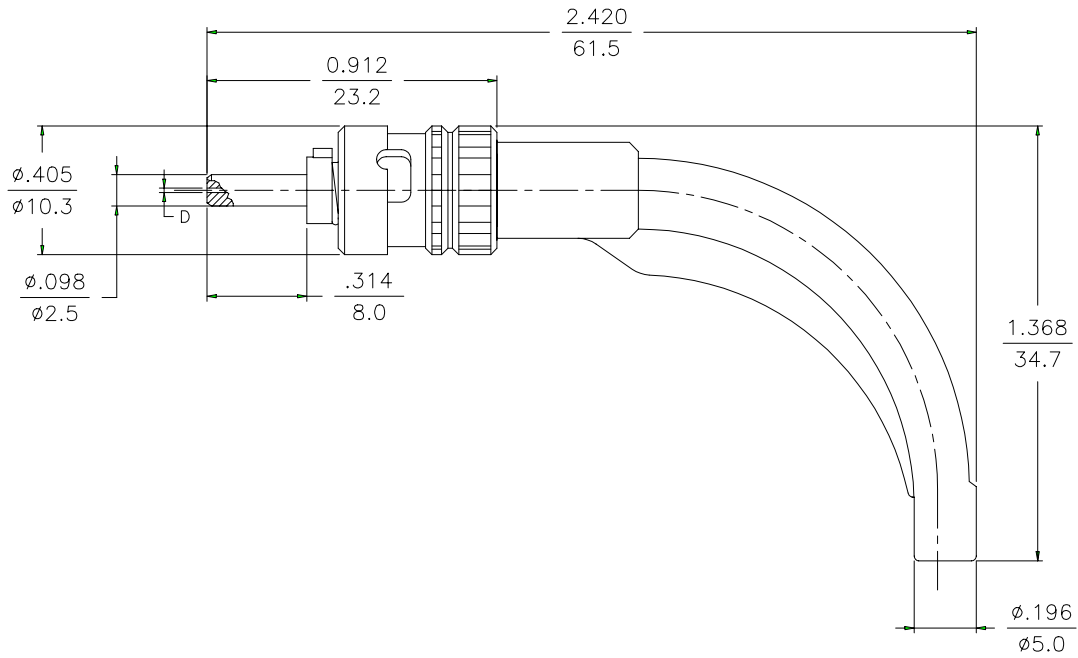


ST CONNECTOR, METAL 900 μ m BOOT

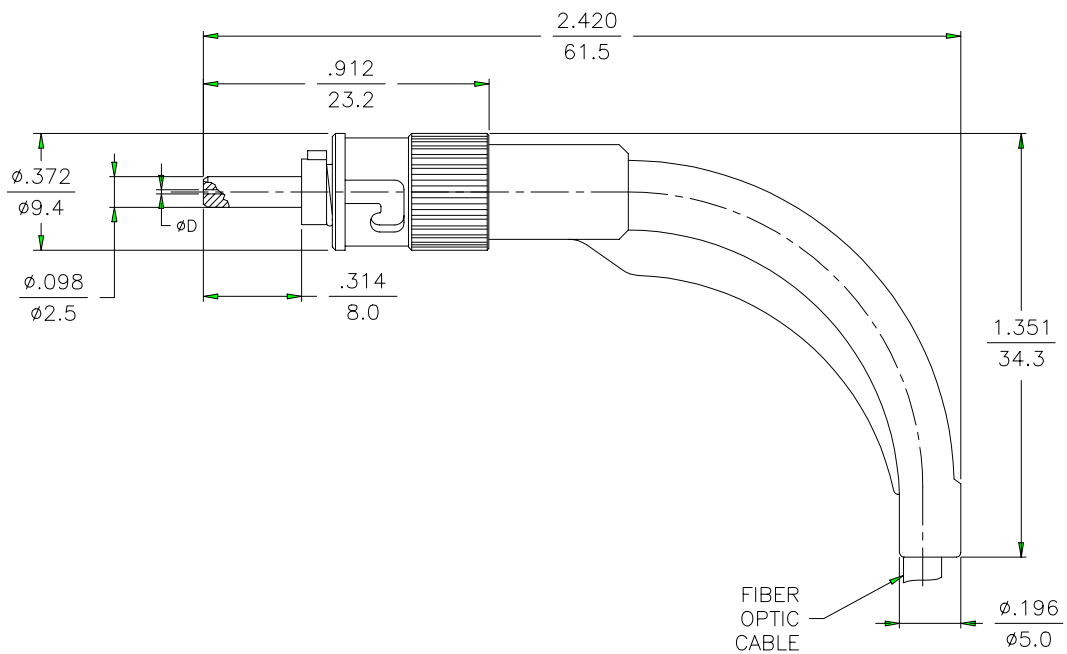


All Dimensions in INCHES
mm

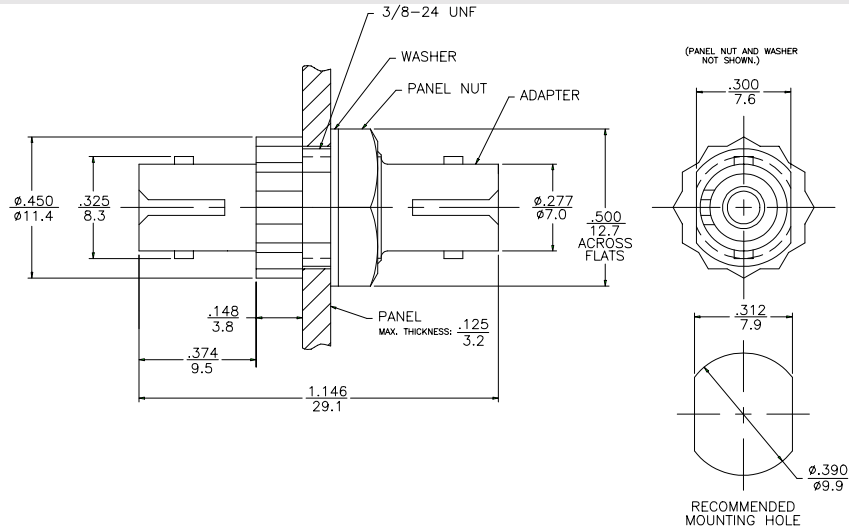
ST CONNECTOR, POLYMER 90° BOOT



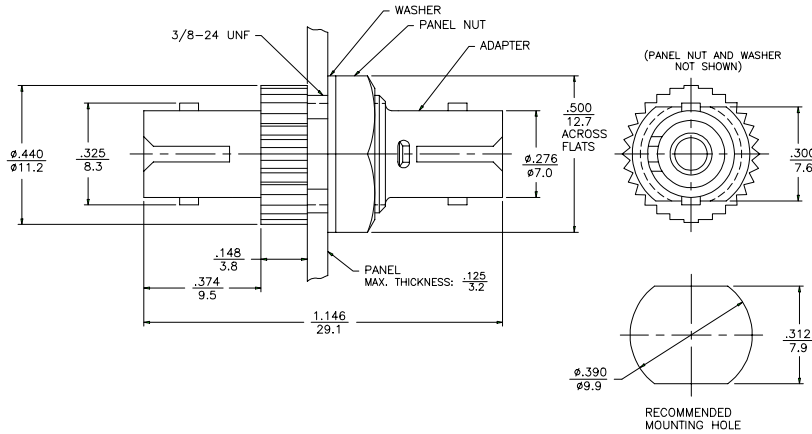
ST CONNECTOR, METAL 90° BOOT



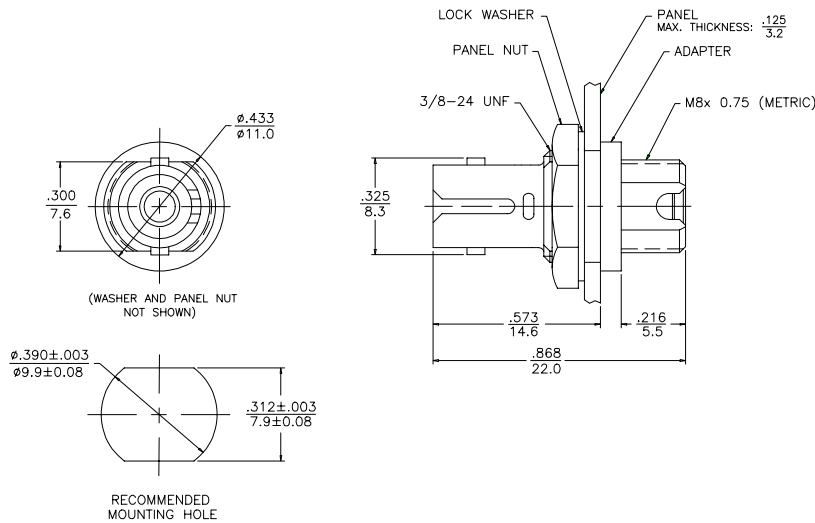
ST ADAPTER, POLYMER



ST ADAPTER, METAL



ST TO FC ADAPTER



All Dimensions in INCHES
mm