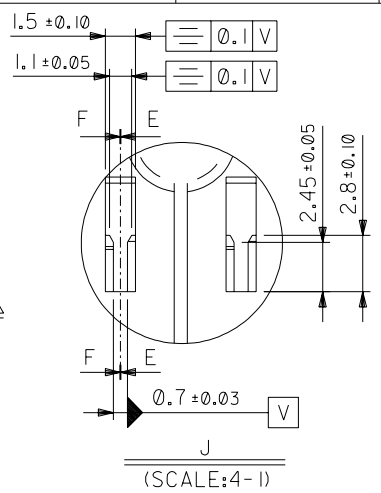
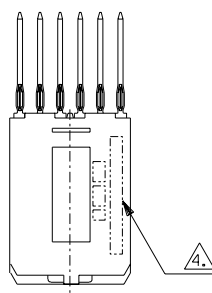
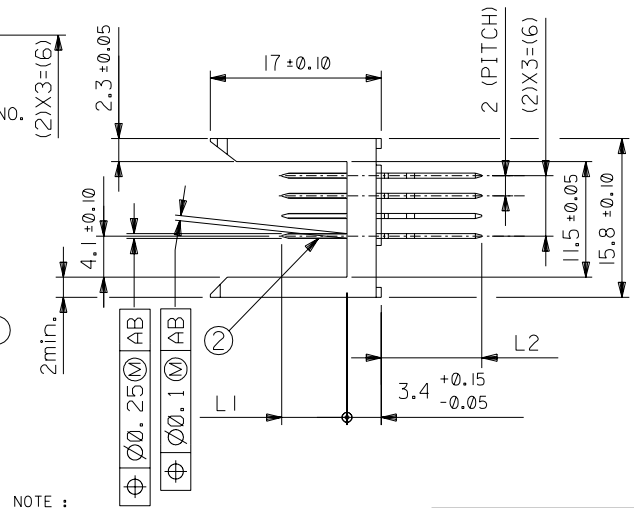
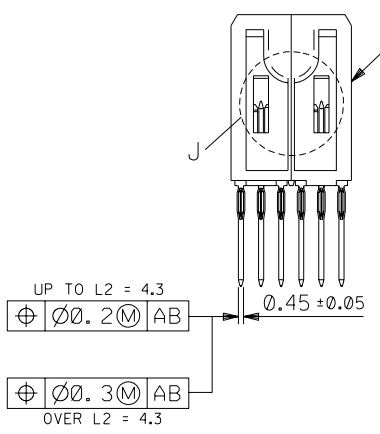
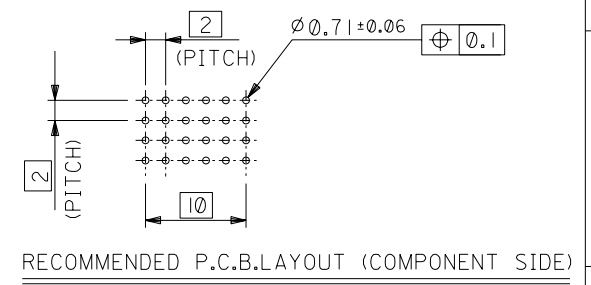
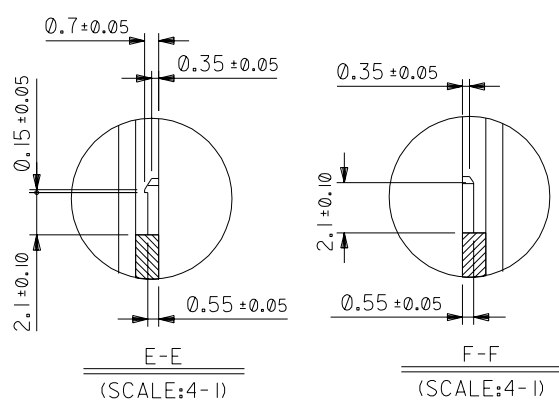
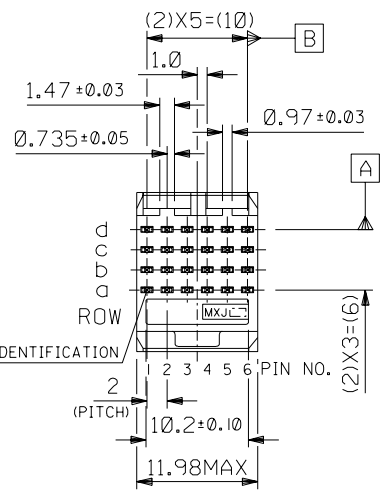


PART NO. SEE CHART  
 DWG. NO. SD-85801-003  
 FOR ERICSSON



No.	PART NAME	MATERIAL	FINISH	Dr. Nr.	Rev.
①	PLUG HOUSING	LCP (EI30i Vectra), GLASS FILLED NATURAL (WHITE), UL 94V-0	—	E-85803-001	A
②	PLUG PIN	PHOSPHOR BRONZE (CuSn8)	⚠	E-85802-003	B



INWARD WARPAGE OF WALLS MAX. 0.15 PER SIDE  
 OUTWARD WARPAGE OF WALLS MAX. 0.05 PER SIDE

- NOTE :
- TERMINAL PLATING  
 GOLD : 2.0µm MIN. (CONTACT AREA)  
 Sn-Pb 90/10 or 95/5:0.2 .. 0.8 µm (PRESS-FIT AREA)  
 NICKEL : 1.27µm MIN. (CONTACT AREA)
  - RECOMMENDED P.C.B. THICKNESS : >1.4mm
  - APPLICABLE RECEPTACLE :  
 54625-XXXX + 85805-XXXX
  - MATERIAL NO. & week/year (ENG. NO.)

REV	DESCRIPTION	QUALITY SYMBOLS
C	EC NO. MC2003-0527 DRWN: CQ 03/04/16 CHK: TM APPR: KN	MAJOR CRITICAL

GENERAL TOLERANCES: (UNLESS SPECIFIED)	
mm	INCH
4 PLACES ±0.	±.
3 PLACES ±0.	±.
2 PLACES ±0.	±.
1 PLACE ±0.	±.
ANGULAR: ± 1/2°	

SCALE 2:1  
 DESIGN UNITS  mm  INCH  
 THIRD ANGLE PROJECTION  THIRD ANGLE  FIRST ANGLE  
 DIMENSIONS:  mm  INCH  mm ONLY  INCH ONLY  
 SHT REV  
 REVISION CAD ONLY

DRAWN BY & DATE: TMartin 01/11/22  
 CHECKED BY & DATE: Fcarab / /  
 APPROVED BY & DATE: KNoller / /  
 CAD FILENAME: .

TITLE: "MFB" B/B CONN. (FB+) PLUG ASSY WIDE BODY P/F TYPE  
 MOLEX INCORPORATED

MATERIAL NO. SEE CHART SD-85801-003  
 DRAWING NO. SD-85801-003  
 SHEET NO. 1 OF 3

DRAFT WHERE APPLICABLE MUST REMAIN WITHIN DIMENSIONS  
 THIS DRAWING CONTAINS INFORMATION THAT IS PROPRIETARY TO MOLEX INCORPORATED AND SHOULD NOT BE USED WITHOUT WRITTEN PERMISSION.

M - Shape				
X	RPV 604 -1123	85801-0012	24	4
Eye of Needle				
	RPV 604 -1128	85801-0019	24	4
	RPV 604 -1127	85801-0017	24	4
	RPV 604 -1126	85801-0016	24	4
	RPV 604 -1124	85801-0014	24	4
X	RPV 604 -1123	85801-9012	24	4
	RPV 604 -1122	85801-0011	24	4
listed by Ericsson	ERICSSON P/N	MATERIAL NO.	PIN	ROW

PART NO. SEE SHEET 1  
 DWG. NO. SD-85801-003  
 FOR ERICSSON

85801-0011

1	2	3	4	5	6
d	B	B	B	B	B
c	B	B	B	B	B
b	B	B	B	B	B
a	C	C	C	C	C

85801-0019

1	2	3	4	5	6
d	B	B	B	B	B
c	C	C	C	C	C
b	C	C	C	C	C
a	C	C	C	C	C

Note 1

Note 2

85801-9012/-0012

1	2	3	4	5	6
d	B	B	B	B	B
c	B	B	B	B	B
b	B	B	B	B	B
a	B	B	B	B	B

85801-0014

1	2	3	4	5	6
d	C	C	C	C	C
c	C	C	C	C	C
b	C	C	C	B	B
a	C	C	C	C	C

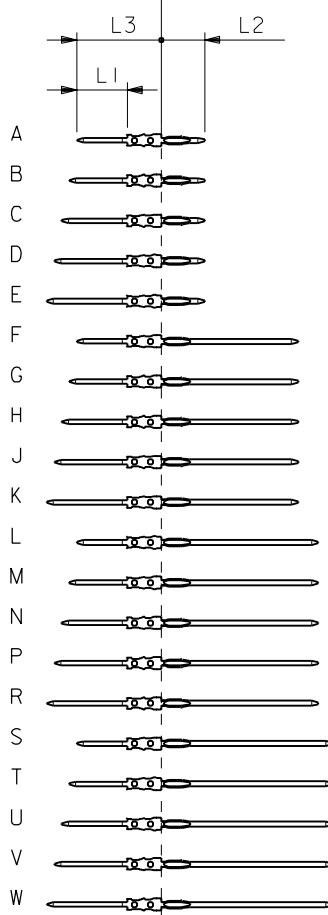
85801-0016

1	2	3	4	5	6
d	C	C	C	C	C
c	C	C	C	C	C
b	C	C	C	C	C
a	C	C	C	C	C

85801-0017

1	2	3	4	5	6
d	B	B	B	B	B
c	B	B	B	B	B
b	C	C	C	C	C
a	C	C	C	C	C

REF. LINE:  
 BACKPLANE SURFACE



		L2			
L1	L3	4.3	13.6	15.6	17.0
5.00	8.4	A	F	L	S
5.75	9.15	B	G	M	T
6.50	9.9	C	H	N	U
7.25	10.65	D	J	P	V
8.00	11.4	E	K	R	W

NOTES:

- 1- For Example: 85801-9012 "Eye of the needle"
- 2- For Example: 85801-0012 "M-Shape"

EC NO. MG2002-0330  
 DRWNG: KN 02/01/25  
 CHK: FC  
 APPR: HK

QUALITY SYMBOLS  
 MAJOR  
 CRITICAL

REV	DESCRIPTION	GENERAL TOLERANCES: (UNLESS SPECIFIED)	
		mm	INCH
B		4 PLACES ±0.	±.
		3 PLACES ±0.	±.
		2 PLACES ±0.	±.
		1 PLACE ±0.	±.
		ANGULAR: ± 1/2°	

SCALE :  
 DESIGN UNITS:  mm  INCH  
 THIRD ANGLE PROJECTION  
 DRAWN BY & DATE: TMartin 01/11/22  
 CHECKED BY & DATE: FCarab / /  
 APPROVED BY & DATE: KNoller / /  
 CAD FILENAME

DIMENSIONS: <input type="checkbox"/> mm <input type="checkbox"/> INCH <input checked="" type="checkbox"/> mm ONLY		SHT	REV
TITLE: "MFB" B/B CONN. (FB+) PLUG ASSY WIDE BODY P/F TYPE			
MOLEX INCORPORATED			
MATERIAL NO. SEE SHEET 1	DRAWING NO. SD-85801-003	SHEET NO. 2 OF 3	
THIS DRAWING CONTAINS INFORMATION THAT IS PROPRIETARY TO MOLEX INCORPORATED AND SHOULD NOT BE USED WITHOUT WRITTEN PERMISSION.			SIZE B

7 6 5 4 3 2 1

E

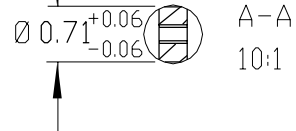
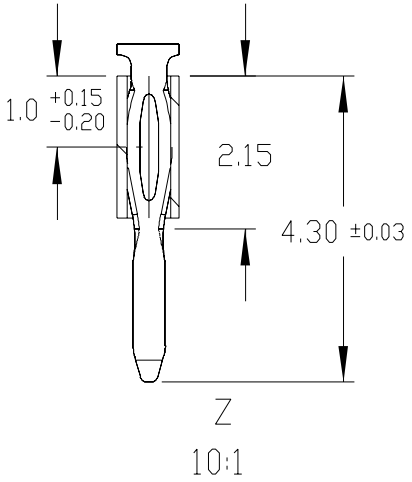
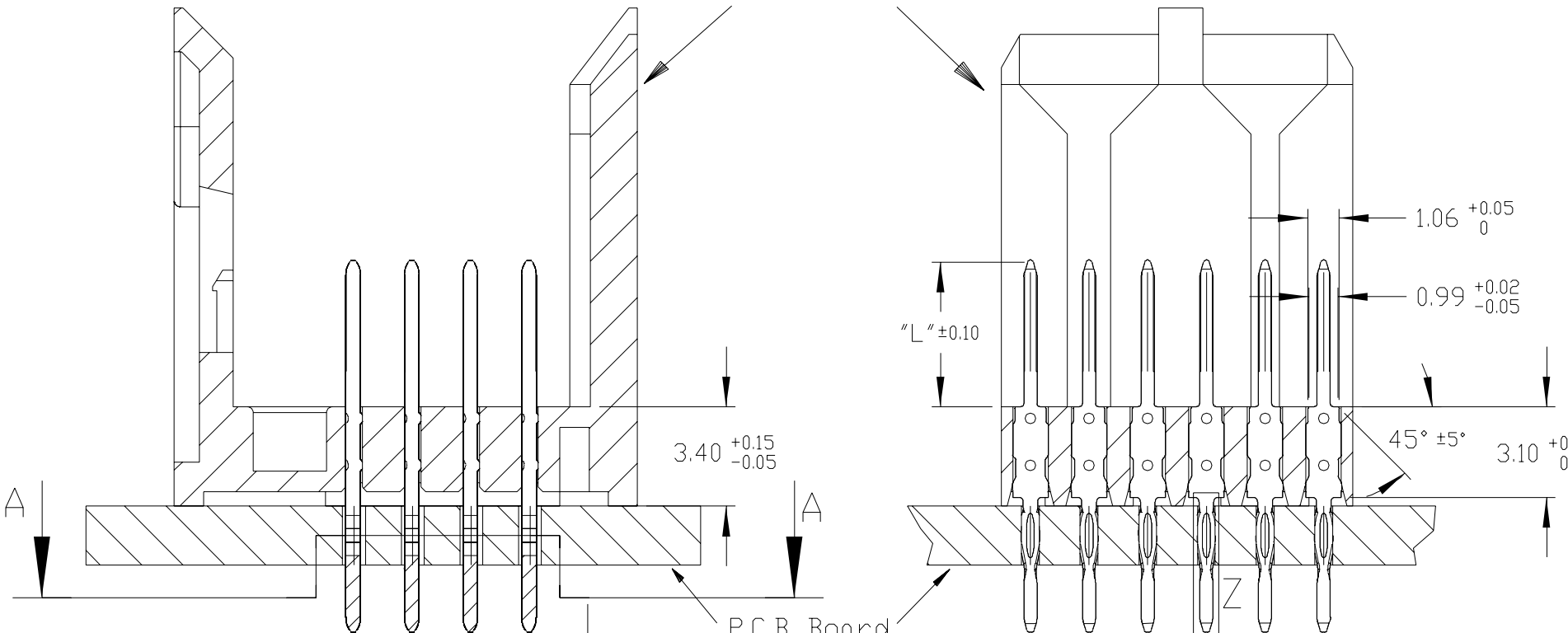
D

C

B

A

MFB+ Male Connectors



EC NO: MC2002-0273  
 DRWN: TMartin 01/11/26  
 CHK: fcarab  
 APPR: KNoller

DESCRIPTION  
 MAJOR =  
 CRITICAL =  
 C =

GENERAL TOLERANCES: (UNLESS SPECIFIED)	
	mm
4 PLACES	±0.
3 PLACES	±0.
2 PLACES	±0.
1 PLACE	±0.

ANGULAR: ± 1/2°

DRAFT WHERE APPLICABLE MUST REMAIN WITHIN DIMENSIONS

SCALE: 5:1  
 DESIGN UNITS:  mm  INCH  
 THIRD ANGLE PROJECTION  
 DRAWN BY & DATE: TMartin 00/11/09  
 CHECKED BY & DATE: Fcarab / /  
 APPROVED BY & DATE: KNoller / /  
 CAD FILENAME: .

DIMENSIONS: <input type="checkbox"/> mm <input type="checkbox"/> INCH <input checked="" type="checkbox"/> mm ONLY		SHT	REV
TITLE: MFB+ Assy. HSG 4 Ro B/B Conn. Wide Bod		REVISE ON CAD ONLY	
MOLEX INCORPORATED			
MATERIAL NO. SHEET !	DRAWING NO. SD-85801-003	SHEET NO. 3 OF 3	
THIS DRAWING CONTAINS INFORMATION THAT IS PROPRIETARY TO MOLEX INCORPORATED AND SHOULD NOT BE USED WITHOUT WRITTEN PERMISSION.			SIZE A

7 6 5 4 3 2 1