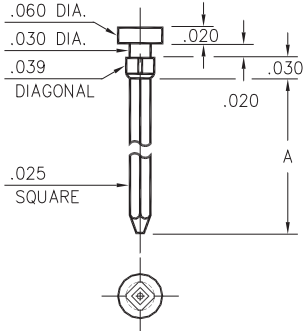


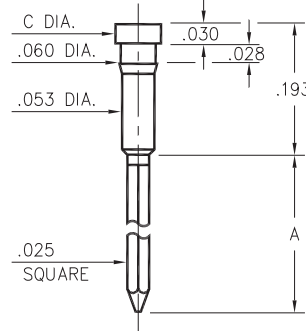
5275



Basic Part Number	# of Wraps	Wrapost Length A
5275-1	1	.370
5275-2	2	.470
5275-3	3	.610

**5275-X-05-XX-00-00-01-0**  
Square press-fit in .035 plated thru hole

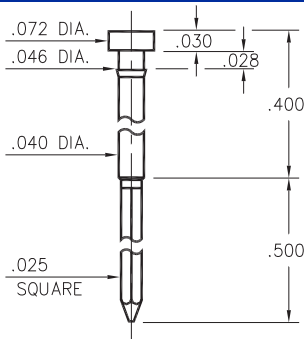
1010 ⇒ 1012/1020 ⇒ 1022



Basic Part Number	# of Wraps	Wrapost Length A	Head Dia. C
1012-1	1	.260	.072
1011-2	2	.360	
1010-3	3	.500	
1022-1	1	.260	.062
1021-2	2	.360	
1020-3	3	.500	

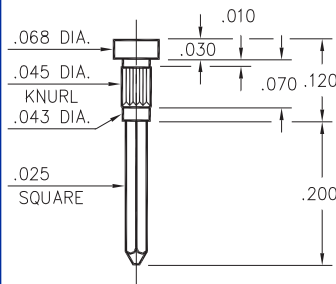
**10XX-X-05-XX-00-00-01-0**  
Press-fit in .057 mounting hole

1215



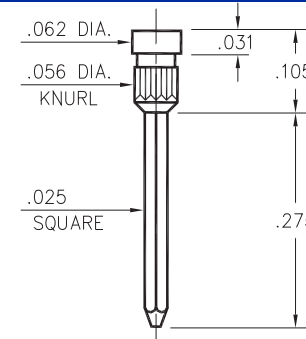
**1215-3-05-XX-00-00-01-0**  
Press-fit in .043 mounting hole

1124



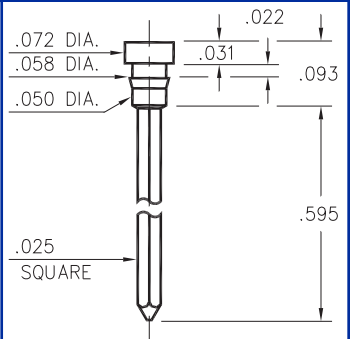
**1124-0-05-XX-00-00-01-0**  
Press-fit in .043 mounting hole

1210



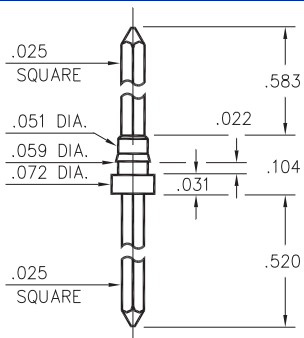
**1210-0-05-XX-00-00-01-0**  
Press-fit in .053 mounting hole

1222



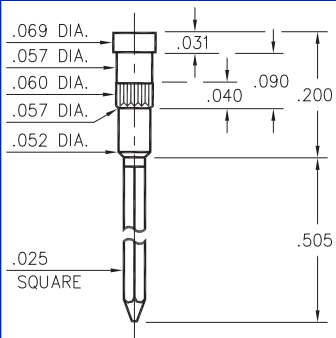
**1222-0-05-XX-00-00-01-0**  
Press-fit in .055 mounting hole

1221



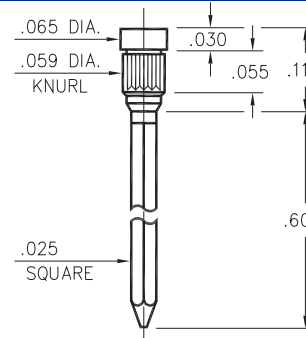
**1221-0-05-XX-00-00-01-0**  
Press-fit in .056 mounting hole

1110



**1110-3-05-XX-00-00-01-0**  
Press-fit in .057 mounting hole

1094



**1094-0-05-XX-00-00-01-0**  
Press-fit in .056 mounting hole

**SPECIFICATIONS**

**PIN MATERIAL:**  
Brass Alloy 360, 1/2 Hard

**DIMENSION IN INCHES**  
**TOLERANCES ON:**  
LENGTHS: ±.005  
DIAMETERS: ±.002  
ANGLES: ± 2°

**ORDER CODE: XXXX - X - 05 - XX - 00 - 00 - 01 - 0**

**BASIC PART #**

**SPECIFY PIN FINISH:**

- 01 200µ" TIN/LEAD OVER NICKEL
- ◇ 80 200µ" TIN OVER NICKEL (RoHS)
- ◇ 15 10µ" GOLD OVER NICKEL (RoHS)
- ◇ 21 20µ" GOLD OVER NICKEL (RoHS)

