

Fig. 1

- Series 450, 460, 470, 480 double row Header Strips come with various contacts (pin, slotted head, turret and solder cup) with pluggable solder tails. (M-M# 0290, 0282, 0700, or 8000 see pages 173 & 174 for details).



Ordering Information

Fig. 1

Series 450...001 Pin / Solder Tail

450-XX-2__-00-001

Specify # of pins → 02-64

Fig. 2

Series 460...001 Slotted Head / Solder Tail

460-XX-2__-00-001

Specify # of pins → 02-64

Fig. 3

Series 470...001 Turret / Solder Tail

470-XX-2__-00-001

Specify # of pins → 02-64

Fig. 4

Series 480...001 Solder Cup / Solder Tail

480-XX-2__-00-001

Specify # of pins → 02-64

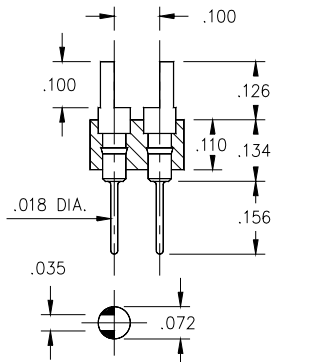


Fig. 2

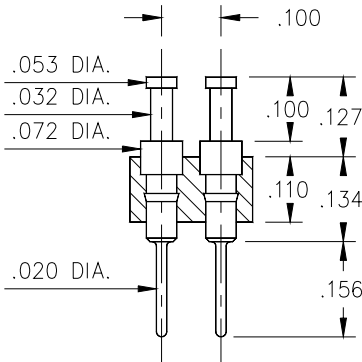


Fig. 3

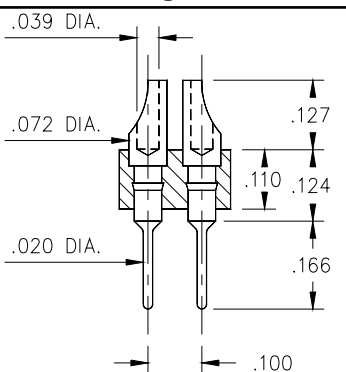


Fig. 4

*XX= Plating Code
See Below*

*For High
Temperature
Insulators Add '100'
To End Of
Part Numbers*

SPECIFY PLATING CODE XX=	10	90		
Pin Plating	10μ" Au	200μ" Sn/Pb		