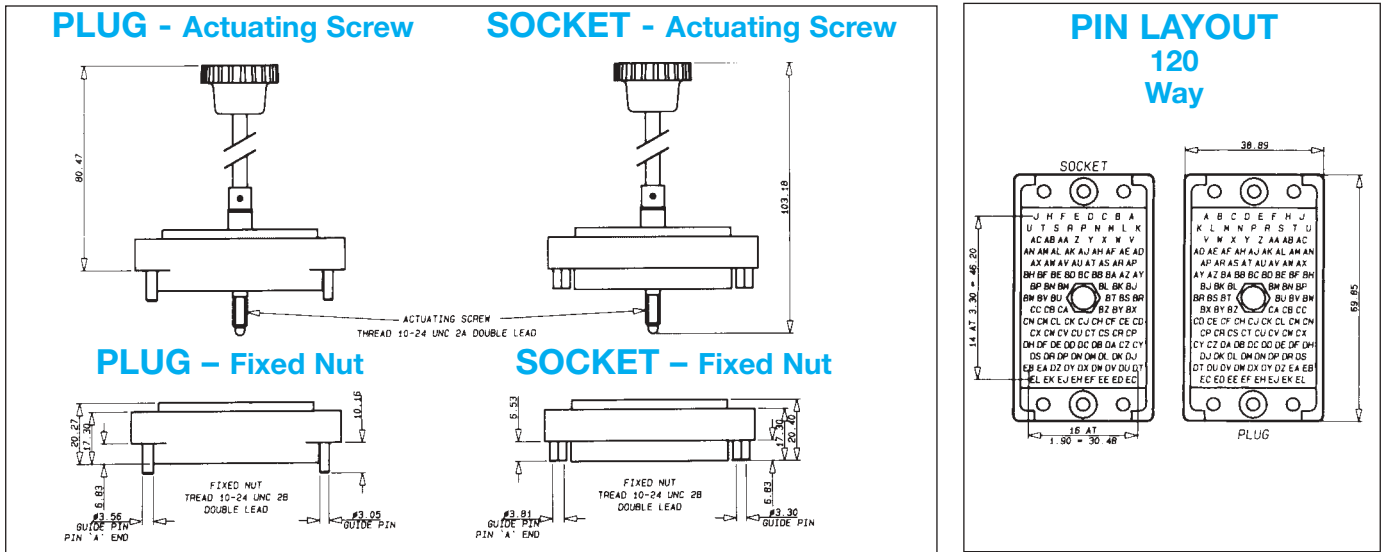


Series 8016 – Rectangular Connector – 120 Way



ORDERING CODE



Contact Termination

*000 = Contacts not fitted and ordered separately, see page 23 for full list of options

217 = Solder 0.098" x 2.49mm

218 = Wire Wrap –
0.025 x 0.050 x 0.567" / 0.64 x 1.27 x 14.4mm

296 = Wire Wrap –
0.025 x 0.026 x 0.579" / 0.64 x 1.27 x 19.3mm

504 = Solder Tail –

750 = Wire Wrap –
0.025 x 0.050 x 0.760" / 0.64 x 1.27 x 19.3mm

*Crimp contacts always ordered separately. See page 23 for details.

CONNECTOR PLUG AND RECEPTACLE COMBINATIONS

| Plug | Receptacle | | | | | | | | | | | |
|-------------|-------------|-------------|---------|---------|---------|---------|---------|---------|---------|---------|--|--|
| | 007/507/607 | 008/508/608 | 509/609 | 510/610 | 511/611 | 512/612 | 535/635 | 536/636 | 537/637 | 538/638 | | |
| 001/501/601 | | | | | | | | | | | | |
| 002/502/602 | | | | | | | | | | | | |
| 503/603 | | | | | | | | | | | | |
| 504/604 | | | | | | | | | | | | |
| 505/605 | | | | | | | | | | | | |
| 506/606 | | | | | | | | | | | | |
| 531/631 | | | | | | | | | | | | |
| 532/632 | | | | | | | | | | | | |
| 533/633 | | | | | | | | | | | | |
| 534/634 | | | | | | | | | | | | |

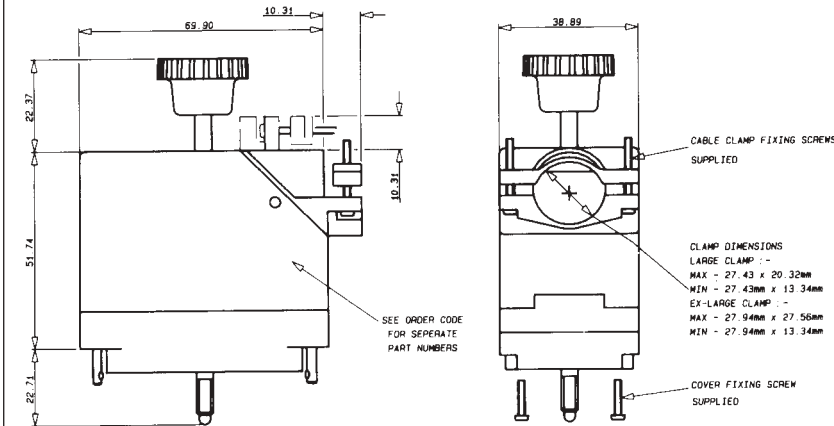
Select variation code combinations marked with square in the table.

VARIATION CODE

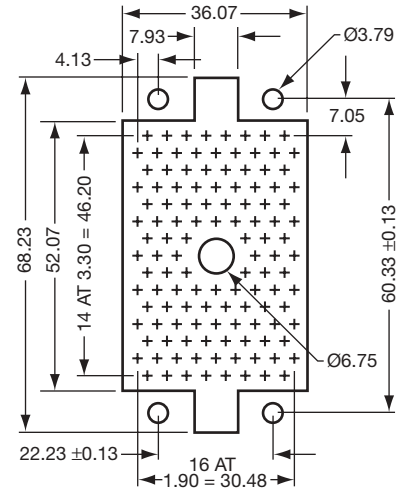
| Insulator Body Type | European Version | | | USA Version | | | | | | Cover & Cable Entrance | Actuating Screw | Fixed Nut |
|----------------------------|------------------|----------------|----------|----------------|----------------|----------|-----------------|----------------|----------|------------------------|-----------------|-----------|
| | Grey Polyester | | | Grey Polyester | | | Green Polyester | | | | | |
| | Large Clamp | Ex-Large Clamp | No Cover | Large Clamp | Ex-Large Clamp | No Cover | Large Clamp | Ex-Large Clamp | No Cover | | | |
| Male (Exposed Contacts) | — | — | 001 | — | — | 501 | — | — | 601 | None | Yes | No |
| | — | — | 002 | — | — | 502 | — | — | 602 | None | No | Yes |
| | 503 | 531 | — | 503 | 531 | — | 603 | 631 | — | Top | Yes | No |
| | 504 | 532 | — | 504 | 532 | — | 604 | 632 | — | Side | Yes | No |
| | 505 | 533 | — | 505 | 533 | — | 605 | 633 | — | Top | No | Yes |
| | 506 | 534 | — | 506 | 534 | — | 606 | 634 | — | Side | No | Yes |
| Female (Recessed Contacts) | — | — | 007 | — | — | 507 | — | — | 607 | None | No | Yes |
| | — | — | 008 | — | — | 508 | — | — | 608 | None | No | No |
| | 509 | 535 | — | 509 | 535 | — | 609 | 635 | — | Top | Yes | No |
| | 510 | 536 | — | 510 | 536 | — | 610 | 636 | — | Side | Yes | No |
| | 511 | 537 | — | 511 | 537 | — | 611 | 637 | — | Top | No | Yes |
| | 512 | 538 | — | 512 | 538 | — | 612 | 638 | — | Side | No | Yes |

Series 8016 – Rectangular Connector – 120 Way

CLAMPING AND COVER DIMENSIONS



RECOMMENDED LAYOUT FOR FRONT CHASSIS MOUNTING & PCB LAYOUT



STANDARD COVERS

| Cover Part Number Imperial Screws | Number of Contacts | Cable Entrance | Clamp | |
|--------------------------------------|-----------------------|-------------------|-------------|-------------------------------|
| | | | Description | Size mm (inches) |
| 30-8016-9834-00-000 | 120 | Side | Large | 20.32 x 27.43 (0.800 x 1.080) |
| 30-8016-9835-00-000 | 120 | Top | Large | 20.32 x 27.43 (0.800 x 1.080) |
| 30-8016-9845-00-000 | 120 | Side | Extra-Large | 27.94 x 27.56 (1.100 x 1.085) |
| 30-8016-9846-00-000 | 120 | Top | Extra-Large | 27.94 x 27.56 (1.100 x 1.085) |

NB: There are no removable side plate covers for the 120 Way version.