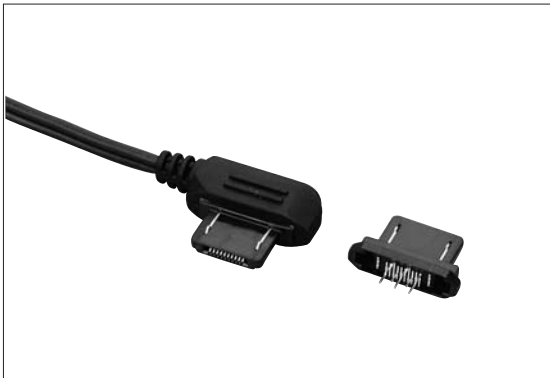
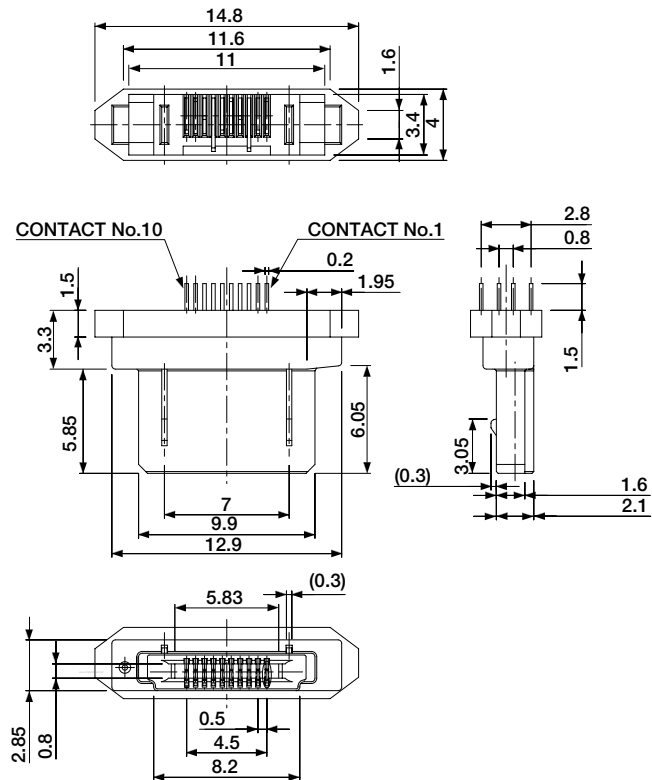


10P Interface Connectors, CR-10 Series



Dimension

● Plug CSC1010-0502F



Features

- 0.5mm pitch interface connector.
- Compatible with the JEITA RC-5240 "Rectangular Connector for Mobile Phone" standard.
- Half-locking structure.
- Receptacles available in a wide repertoire such as standard type, short type and mid-mount type.
 - Normal and reverse types.
 - With or without a boss for determining the mounting position on PWB.
 - Shell's PWB-mounting design : SMT or through-hole type
- Ensured strength against skew insertion due to robust shell structure and one-piece molding of the contacts and housing.

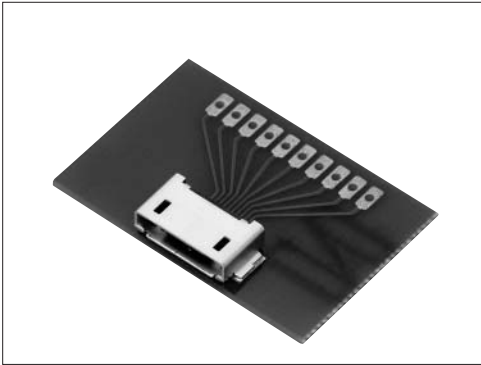
Specification

- Rating : 0.3A, 50V AC/DC
- Contact Resistance : 50mΩ max.
- Insulation Resistance : 100MΩ min. at 250V DC
- Withstanding Voltage : 250V AC (for one minute)
- Operating Life : 10,000 cycles
- Operating Temperature Range : -40°C to +85°C

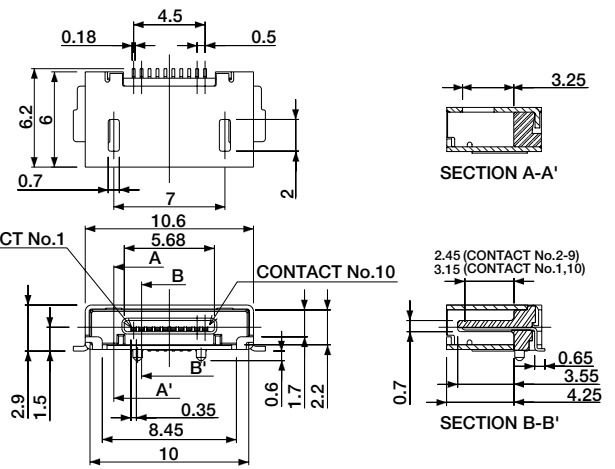
Material and Plating

- Receptacle
 - Housing : Thermoplastic Resin, Black, 94V-0
 - Shield : Steel Use Stainless(SUS), Sn Plating
 - Contact : Cu Alloy, Selective Au Plating
- Plug
 - Housing : Thermoplastic Resin, Black, 94V-0
 - Contact : Cu Alloy, Selective Au Plating

- Receptacle (Standard Type, Width 6.2mm)



CSS5010-□□☒☒F

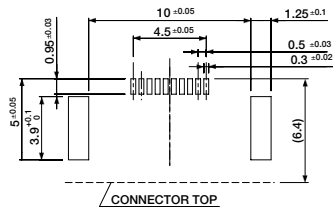


(CSS5010-2301F)

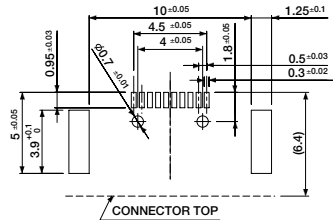
Contact Shell	Normal	Reverse
SMT CSS5010 -23☒☒F -19☒☒F	CSS5010-2302F 	CSS5010-1904F
	CSS5010-2301F 	CSS5010-1903F
DIP CSS5010 -13☒☒F -15☒☒F	CSS5010-1303F 	CSS5010-1504F
	CSS5010-1304F 	CSS5010-1505F

■ P.C. Board Dimension(t=0.8)

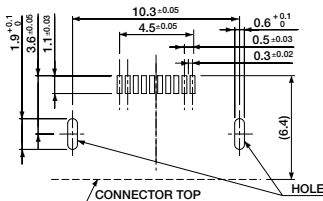
- SMT Type(Without Boss)
CSS5010-2302F/1904F



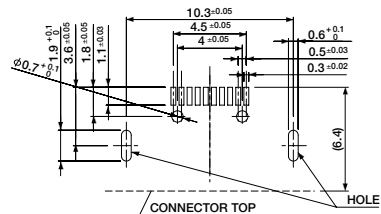
- SMT Type(With Boss)
CSS5010-2301F/1903F



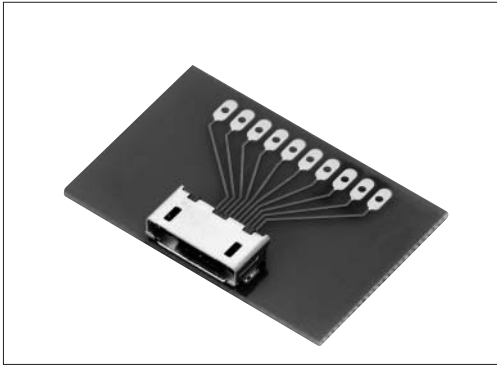
- DIP Type(Without Boss)
CSS5010-1303F/1504F



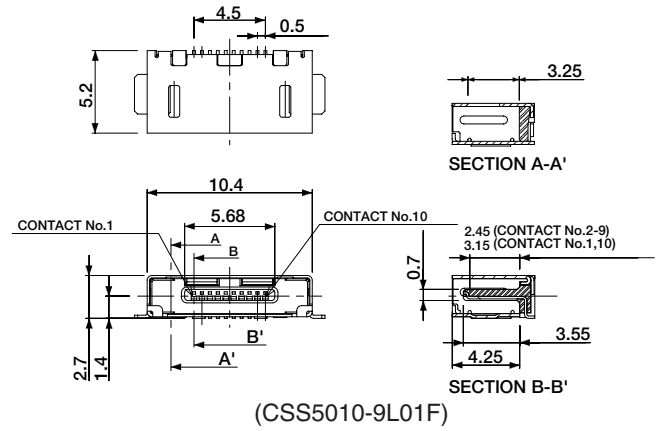
- DIP Type(With Boss)
CSS5010-1304F/1505F



- Receptacle (Standard Type, Width 5.2mm)



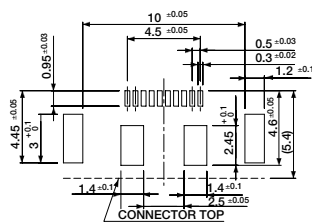
CSS5010-□□□□F



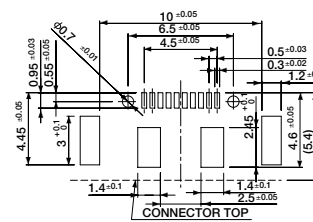
Contact Shell	Normal	Reverse
SMT CSS5010 -9L□□F -8L□□F	CSS5010-9L01F 	CSS5010-8L01F
	CSS5010-9L02F 	CSS5010-8L02F
DIP CSS5010 -6H□□F -8G□□F	CSS5010-6H02F 	CSS5010-8G01F
	CSS5010-6H01F 	CSS5010-8G02F

■ P.C. Board Dimension(t=0.8)

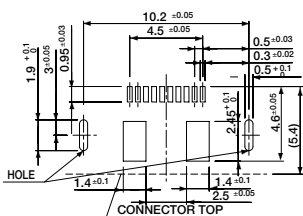
- SMT Type(Without Boss)
CSS5010-9L01F/8L01F



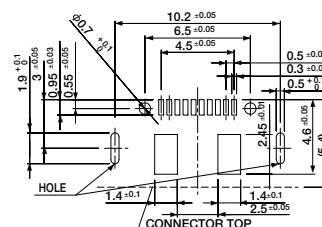
- SMT Type(With Boss)
CSS5010-9L02F/8L02F



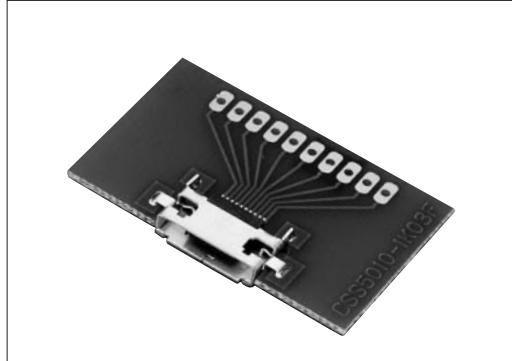
- DIP Type(Without Boss)
CSS5010-6H02F/8G01F



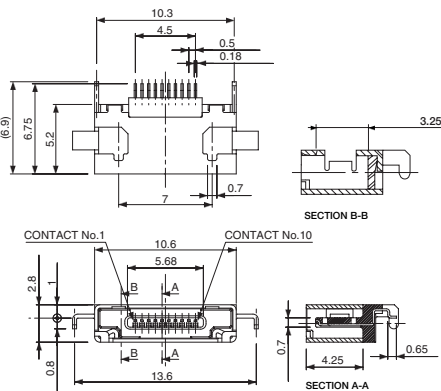
- DIP Type(With Boss)
CSS5010-6H01F/8G02F



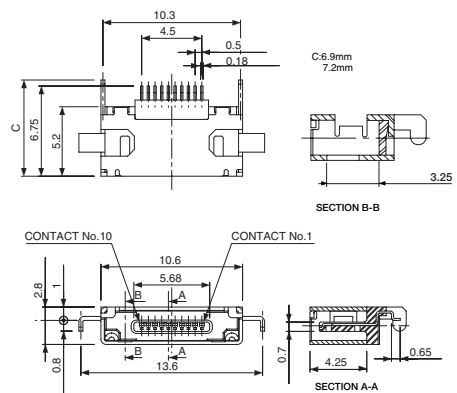
● Receptacle (Mid-Mount Type)



CSS5010-1L ☒☒F (Normal Type)

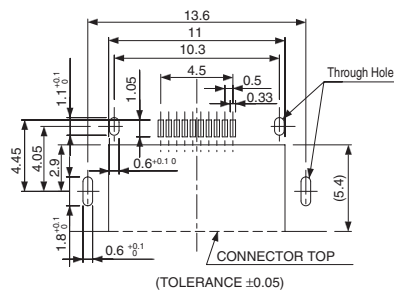


CSS5010-1K ☒☒F (Reverse Type)

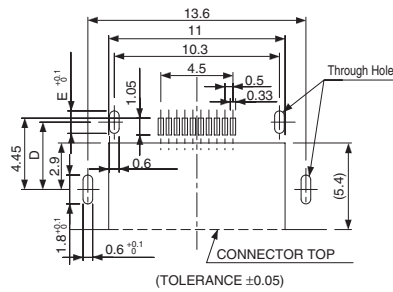


■ P.C. Board Dimension

● CSS5010-1L ☒☒F



● CSS5010-1K ☒☒F



☒☒	C	D	E
01	C=7.2	4.20	1.4
04	C=6.9	4.05	1.1