

1500 WATT SILICON BIPOLAR TRANSIENT SUPPRESSOR DIODES

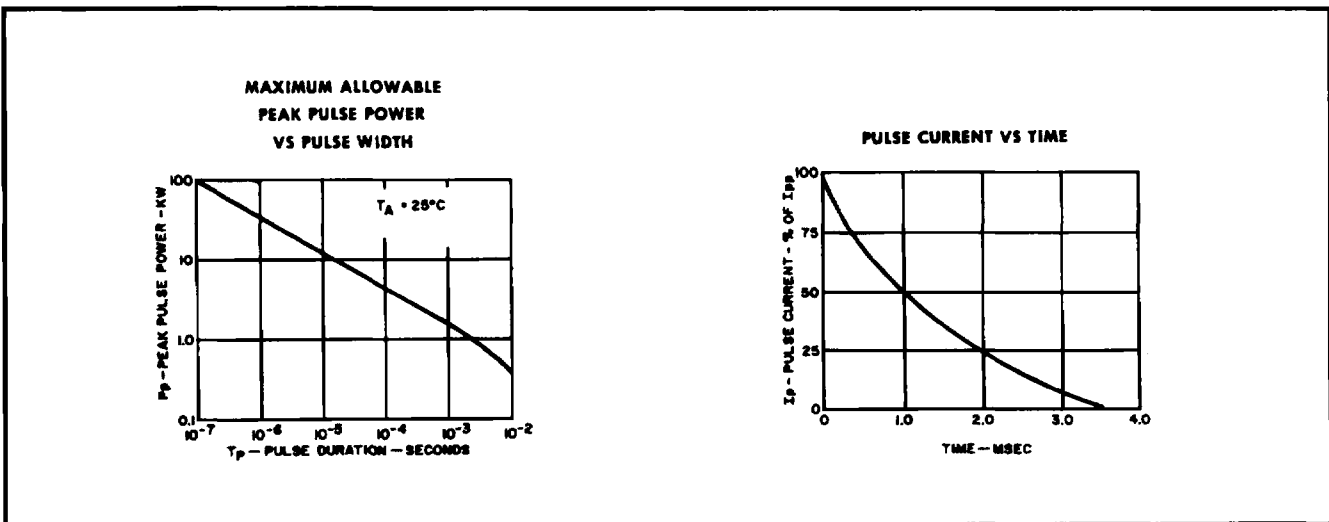
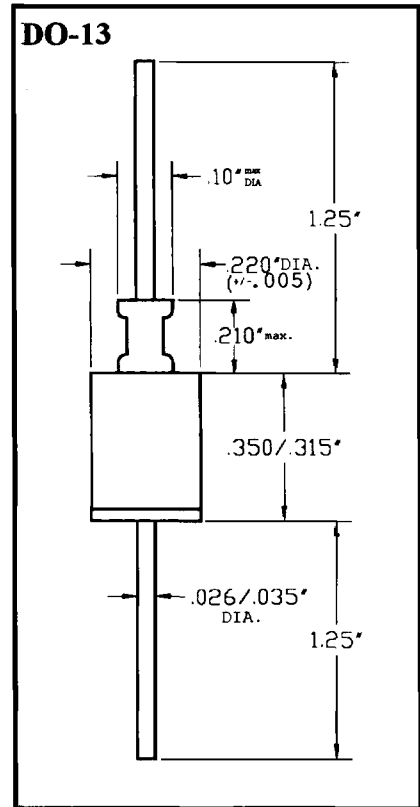
The NES 1N6036A to 1N6072A series of Bipolar Silicon Voltage Transient Suppressor diodes are designed for use in AC circuits where large voltage transients can permanently damage sensitive components. Because of their high surge capability and inherent fast clamping voltage response time (5×10^{-9} seconds), these devices can also be useful in the protection Integrated Circuits, Mosfets, Hybrids and other voltage sensitive semiconductors and components.

FEATURES:

- DO-13 PACKAGE - GLASS TO METAL HERMETICALLY SEALED
- MONOPOLAR DESIGN
- MATTE TIN PLATED
- CUSTOM DESIGNS AVAILABLE — CONSULT FACTORY

MAXIMUM RATINGS:

15,000 Watts of Peak Pulse Power Dissipation $T_A = @ 25^\circ C$
 Steady State Power Dissipation: 1.0 watts @ $T_L = 75^\circ C$ Lead Length = 3/8"
 $t_{clamping}$ (0 volts to BV min): $< 5 \times 10^{-9}$ seconds
 Operating and Storage Temperature: $-65^\circ C$ to $+175^\circ C$



NEW ENGLAND SEMICONDUCTOR

1N6036A
thru
1N6072A

Part Number*	Reverse Stand-off voltage V_R volts	Breakdown Voltage BV @ volts	I_T mA	Maximum clamping volt @ I_{PP} (1mSec) V_c Volts	Maximum Reverse Leakage $I_R @ V_R$ μA	Maximum Peak Pulse Current I_{PP} A	Max. Volt. Temp. Var of BV mV/ C
1N6036A	6.0	7.5	10	11.3	1000	132	.061
1N6037A	7.0	8.2	10	12.1	500	124	.065
1N6038A	7.5	9.1	1	13.4	200	112	.068
1N6039A	8.5	10.0	1	14.5	50	103	.073
1N6040A	9.0	11.0	1	15.6	10	96	.075
1N6041A	10.0	12.0	1	16.7	5	90	.078
1N6042A	11.0	13.0	1	18.2	5	82	.081
1N6043A	12.0	15.0	1	21.2	5	71	.084
1N6044A	13.0	16.0	1	22.5	5	67	.086
1N6045A	15.0	18.0	1	25.2	5	59.5	.088
1N6046A	17.0	20.0	1	27.7	5	54	.090
1N6047A	18.0	22.0	1	30.6	5	49	.092
1N6048A	20.0	24.0	1	33.2	5	45	.094
1N6049A	22.0	27.0	1	37.5	5	40	.096
1N6050A	25.0	30.0	1	41.4	5	36	.097
1N6051A	28.0	33.0	1	45.7	5	33	.098
1N6052A	30.0	36.0	1	49.9	5	30	.099
1N6053A	33.3	39.0	1	53.9	5	28	.100
1N6054A	36.0	43.0	1	59.3	5	25.3	.101
1N6055A	40.0	47.0	1	64.8	5	23.2	.101
1N6056A	43.0	51.1	1	70.1	5	21.4	.102
1N6057A	47.0	56.0	1	77.0	5	19.5	.103
1N6058A	53.0	62.0	1	85.0	5	17.7	.104
1N6059A	58.0	68.0	1	92.0	5	16.3	.104
1N6060A	64.0	75.1	1	103.0	5	14.6	.105
1N6061A	70.0	82.0	1	113.0	5	13.3	.105
1N6062A	75.0	91.0	1	125.0	5	12.0	.106
1N6063A	82.0	100.0	1	137.0	5	11.0	.106
1N6064A	94.0	110.5	1	152.0	5	9.9	.107
1N6065A	100.0	120.0	1	165.0	5	9.1	.107
1N6066A	110.0	130.5	1	179.0	5	8.4	.107
1N6067A	128.0	150.5	1	207.0	5	7.2	.108
1N6068A	145.0	160.0	1	219.0	5	6.8	.108
1N6069A	150.0	170.5	1	234.0	5	6.4	.108
1N6070A	160.0	180.0	1	246.0	5	6.1	.108
1N6071A	170.0	200.0	1	274.0	5	5.5	.108
1N6072A	185.0	220.0	1	328.0	5	4.6	.108

*Suffix 'A' indicates $\pm 5\%$ tolerance

No Suffix indicates $\pm 10\%$ tolerance