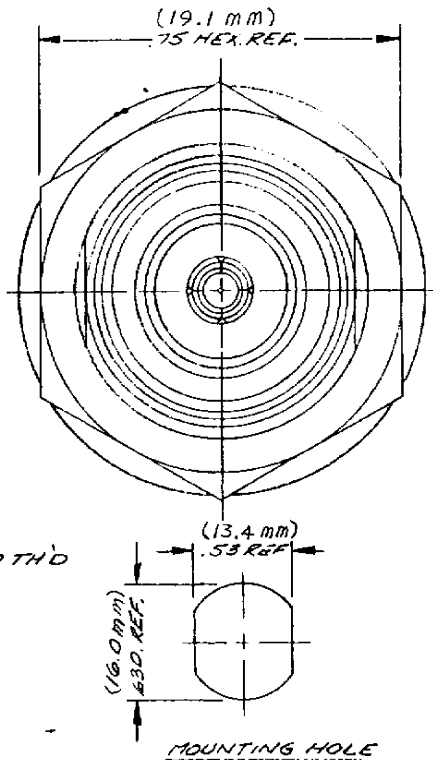
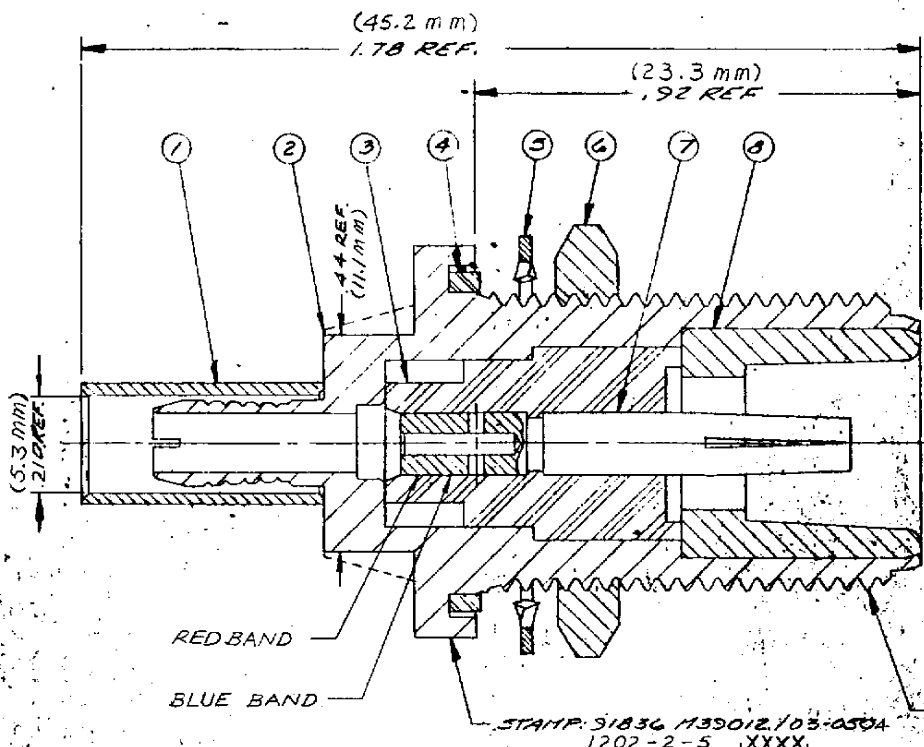


DASH NO.	DESCRIPTION	MADE FROM
----------	-------------	-----------



- NOTE 31
- FOR USE WITH MIT/028-RG058 CABLE.
  - FOR CABLING INSTRUCTIONS SEE CP-489.
  - FOR CABLE TRIMMING USE KTI-162 & KTD-208.
  - FOR FORMING USE CRIMP DIE SIZE 42.
  - ITEM ⑦ TO BE SUPPLIED UNASSEMBLED.
  - FOR USE WITH .324 MAX. PANEL.

ITEM	REQ'D	DESCRIPTION	PART NO.
9	1	CABLING INSTRUCTIONS	N-59-242-4-M88
8	1	BUSHING	
7	1	N CAPTIVE CRIMP CONTACT F	1-534-B2M9D
6	1	HEX NUT	704-4-M07
5	1	LOCKWASHER	30 C-6-M07
4	1	GASKET	631-8-M99
3	1	INSULATOR	
2	1	K-GRIP BODY	
1	1	K-GRIP SLEEVE	1-4690-1M07

UNLESS OTHERWISE SPECIFIED:

- TOLERANCES: FRACTIONS & 2 PLACE DECIMALS ± .010  
3 PLACE DECIMALS ± .004  
7. U. N. CONCENTRICITY OF ANY 2 DIAMETERS MAY NOT EXCEED HALF THE SUM OF THEIR TOLERANCES.
- REMOVE ALL BURRS. BREAK SHARP EDGES .008 MAX.
- NO FILLETS PERMITTED.
- SURFACE ROUGHNESS 63 MICROINCHES RMS MAX.
- ALL DIMENSIONS PRIOR TO PLATING.

M39012/03-0504

S-D

REVISIONS	
ISSUE	CHANGES
0	RESTRICTED USAGE ER 29144 KH 13OCT87
1	CN 29715 E RESTRICTION REMOVED AJ 3MAY 88
2	CN 32243 A LNM 1 JUN 90

1202-2-5	
USED ON:	
REF:	
FINISH	
SPEC:	
MATL:	
SPEC:	
N BULK HEAD JACK	
DRAWN KH	DATE 13OCT87
APPR. <i>[Signature]</i>	DATE 16DEC87
KINGS ELECTRONICS 40 MARBLEDALE ROAD TUCKAHOE, N. Y. 10709	
M39012/03-0504	

S-D