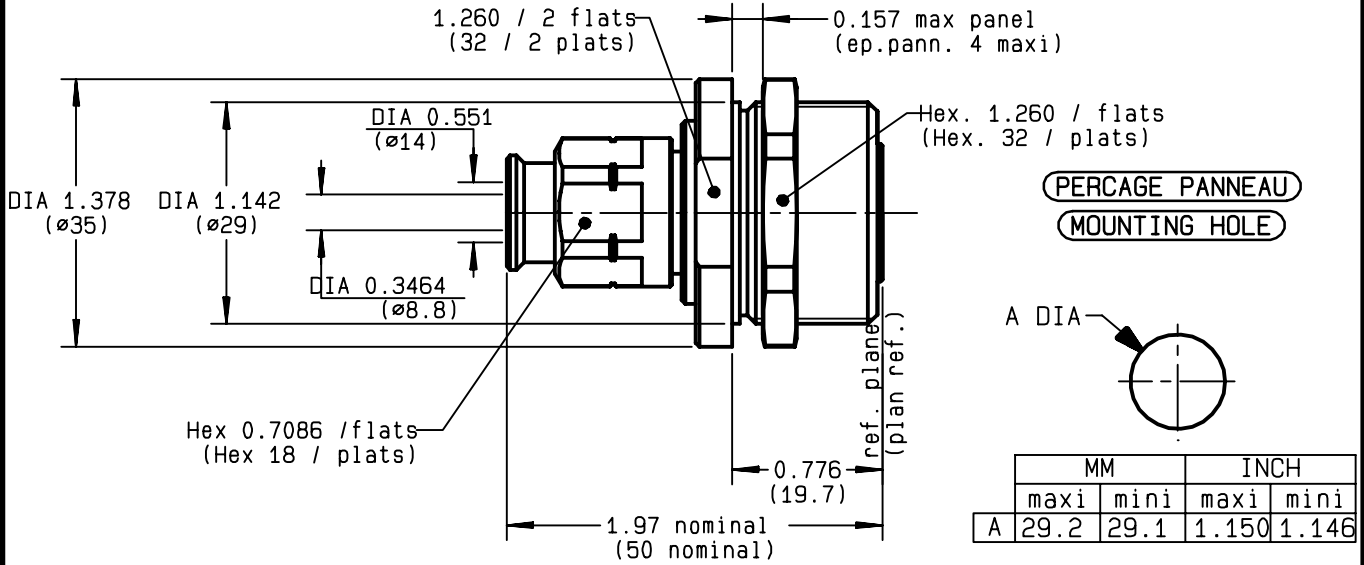


**STR. BULK. JACK CLAMP TYPE REAR MOUNT  
CABLE 1/2" SUPERFLEXIBLE CORRUGATED**

**R185.316.200**  
**SERIES 7-16**



NOMINAL IMPEDANCE	<b>50</b>	$\Omega$
FREQUENCY RANGE	<b>0-7.5</b>	GHz
TEMPERATURE RATING	<b>-55/+155</b>	°C
V.S.W.R	<b>1.20</b> +	x F(GHz)Maxi
RF INSERTION LOSS	<b>0.05</b>	$\sqrt{F}$ (GHz) dB Maxi
VOLTAGE RATING	<b>1400</b>	Veff Maxi
DIELECTRIC WITHSTANDING VOLTAGE	<b>2700</b>	Veff Mini
INSULATION RESISTANCE	<b>10000</b>	M $\Omega$ Mini
HERMETIC SEAL	<b>NA</b>	Atm.cm <sup>3</sup> /s
LEAKAGE (pressurized only)	<b>IP 67</b>	
MECHANICAL DURABILITY	<b>500</b>	Cycles
WEIGHT	<b>133.4</b>	gr
SPECIFICATION		

CABLES : **FSJ4P-50B-4 - 1/2"**  
**FSJ4RN-50B**  
**HCF1/2" Cu2Y50oA1Cu**  
**HCF1/2" CuH-50oA1Cu**

OTHERS CHARACTERISTICS

ROS :	<b>1.10</b>	a 3 GHz
CABLE RETENTION	<b>350</b>	N Mini
CENTER CONTACT RETENTION		
Axial force - mating end	<b>200</b>	N Mini
Axial force - opposite end	<b>100</b>	N Mini
Torque	<b>2</b>	cm.N Mini
RECOMMENDED TORQUES		
Mating	<b>NA</b>	cm.N
Panel nut	<b>3500</b>	cm.N
Clamp nut	<b>950</b>	cm.N

CONNECTOR PARTS	MATERIALS	FINISH	(all values are given in micrometers)
BODY	BRASS	BBR 0.5 OVER SILVER	3
OUTER CONTACT	BRASS	SILVER 5 OVER COPPER	0.5
CENTER CONTACT	BERYLLIUM COPPER	SILVER 5 OVER COPPER	0.5
INSULATOR	PTFE	-	
GASKET	SILICONE RUBBER	-	
OTHERS PIECES	BRASS	BBR 2	

GAUTIER

ISSUE	CREATION DATE	FILE PART-NUMBER
<b>0220B00</b>	<b>26/05/1994</b>	<b>EPC94-10</b>



**RADIALL**®

The information given here is subject to change without notice.  
Design changes may be in order to improve the product .

*Connect to the future*



**R185.316.200**

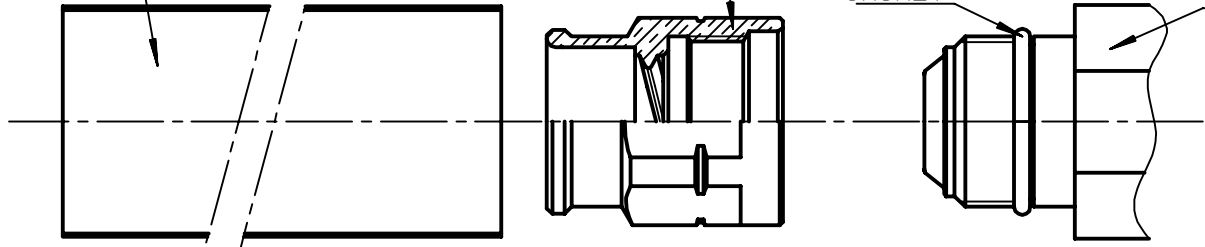
ISSUE **0220B00** SERIES **7-16**

HEATSHRINK SLEEVE

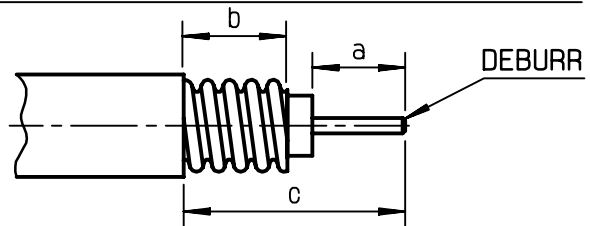
BRAID CLAMP NUT

GASKET

BODY

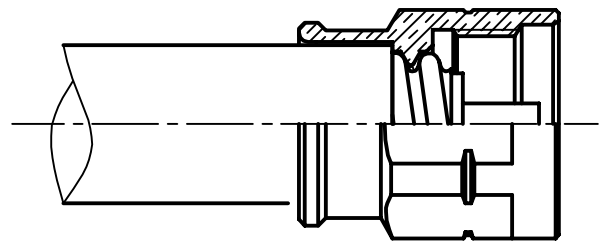


- ①
- Strip the cable.  
Stripping tool R282.010.050
  - Do not damage the outer conductor.
  - Deburr cable inner conductor.

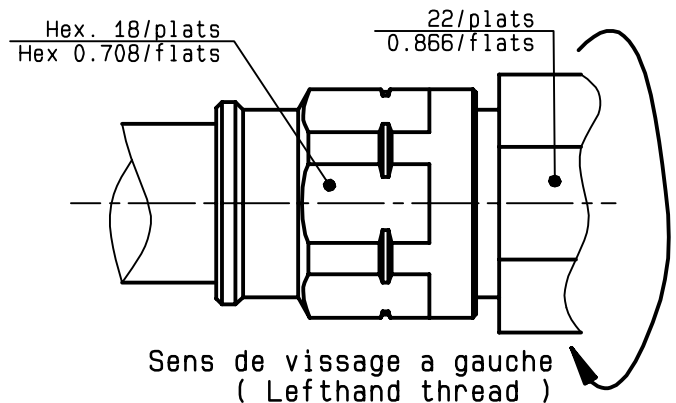


Stripping	a	b	c	d	e
inch	0.217	0.197	0.453	0	0
mm	5.5	5	11.5		

- ②
- Slide the heatshrink sleeve onto the cable.
  - Screw manually the braid clamp nut onto cable outer conductor until stop.



- ③
- Screw the connector onto the assembly.  
**WARNING :** Screw the connector on the braid clamp nut turning left (lefthand thread) so that the copper outer conductor is being squeezed.
  - Torque wrench R282.303.220
  - Recommended coupling torque: 84.07 in.lb  
950 Ncm



- ④
- Shrink the heatshrink sleeve.

