

D SUBMINIATURE CONNECTOR JS SERIES

Right angle SMT configuration plug and socket

RIGHT ANGLE SMT CONFIGURATION PLUG AND SOCKET



Right angle SMT configuration plug (off-set type)



Right angle SMT configuration socket (normal type)

Features

- Mating part is designed to conform to MIL C-24308.
- Reduces the usage of PCB space thanks to thin design.
- As this is of SMT configuration, components can be mounted on the other side of the PC board.
- Positioning bosses assure secure mounting on the PC board.
- Heat resistant resin is used for the insulator, thus applicable to various reflow soldering processes.
- Ferrite mounted type is under planning.

Specifications

Materials

Part name	Material and Finish
Contact	Copper alloy, nickel-undercoated, Mating part: gold-plated Solder tail; tin-plated (reflow treatment)
Insulator	Glass-filled PPS, UL94V-0
Shell	Steel, copper-undercoated, nickel-plated
Metal fixture	Screw type: Copper alloy, copper-undercoated, nickel-plated Hook type: Copper alloy, nickel-undercoated, tin/copper alloy-plated

Characteristics

Current rating	1.0A AC, DC
Voltage rating	125V AC, DC
Temperature range	-40°C to +85°C (including temperature rise in applying electrical current)
Contact resistance	Initial value/20mΩ max. After environmental testing/30mΩ max.
Insulation resistance	500MΩ min.
Withstanding voltage	500V AC/minute
Circuits	Plug: 9 / Socket: 25

- * Compliant with RoHS.
- * Refer to "General Instruction and Notice when using Terminals and Connectors" at the end of this catalog.
- * Contact JST for details.

Model number identification

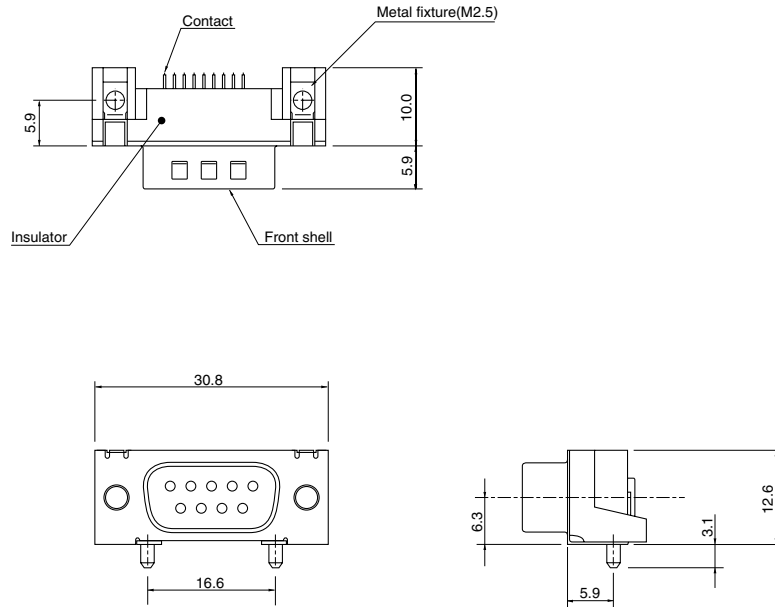
JS B Y — 25 S — 1A 3F 19 — 13

- Series name
- Shell size: E ... 9-circuits
B ... 25-circuits
- Right angle through hole type: Y
- No. of circuits: 9, 25
- Connector type S: Socket P: Plug
- Connector construction/dimensions
1A ... Standard type
3B ... Off-set type
5B ... Off-set type (with lightning part)
- Kind of metal fixture and lock screw blocks :
3F... •With metal fixture having an M2.5 thread
 •Without lock screw blocks, but with a No.4-40UNC thread
6L... •Without grounding adapters with a spring lock device
 •Without lock screw blocks, but with a No.4-40UNC thread
- Finish of mating part
19... Gold-plated (flash)
13... 0.76micron gold-plated

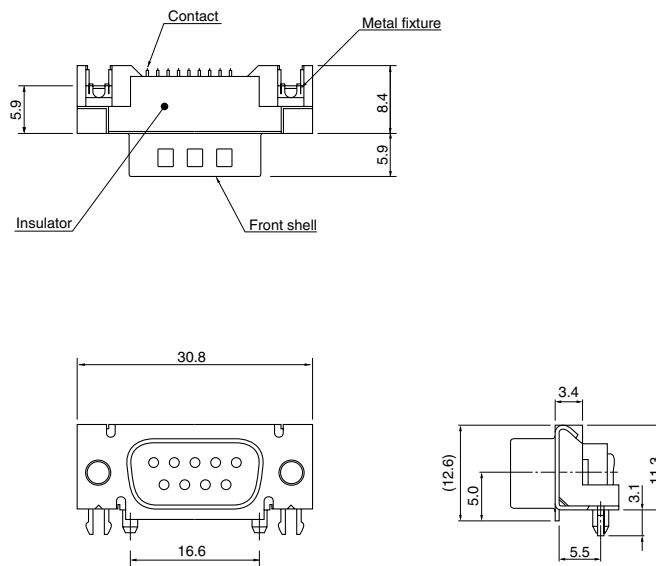
D SUBMINIATURE CONNECTOR JS SERIES

Right angle SMT configuration plug

Normal type



Off-set type

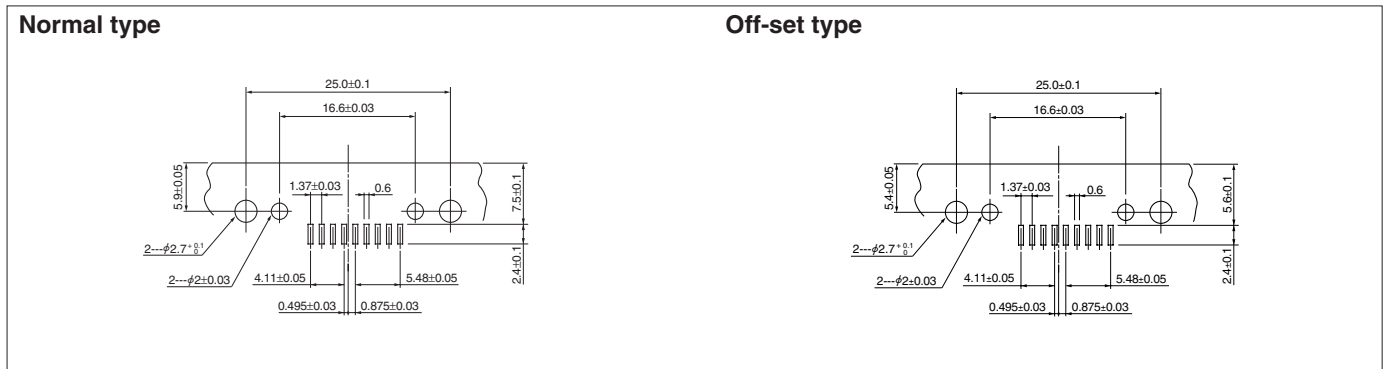


Type	Circuits	Model No.	Q'ty / box
Normal	9	JSEY-9P-1A3F19-13	150
Off-set	9	JSEY-9P-5B6L19-13	150

RoHS compliance This product displays (LF)(SN) on a label.

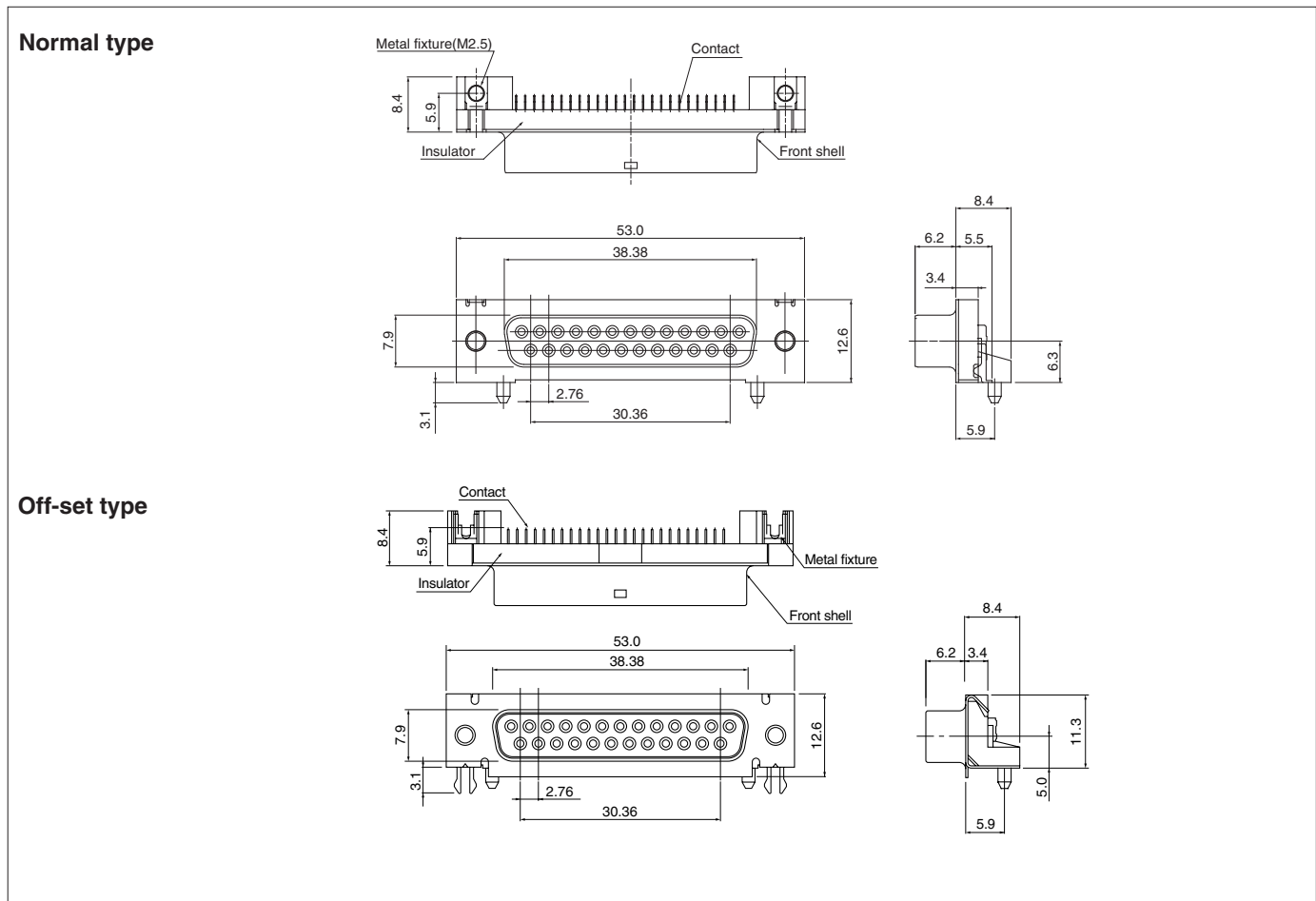
D SUBMINIATURE CONNECTOR JS SERIES

PC board layout (viewed from component side)



Note: 1. Tolerances are non-cumulative: $\pm 0.03\text{mm}$ for all centers.
2. The dimensions above should serve as a guideline. Contact JST for details.

Right angle SMT configuration socket



Type	Circuits	Model No.	Qty / box
Normal	25	JSBY-25S-1A3F19-13	75
Off-set	25	JSBY-25S-3B6L19-13	—

RoHS compliance This product displays (LF)(SN) on a label.

