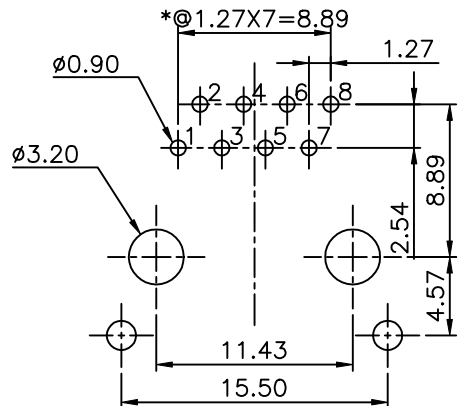
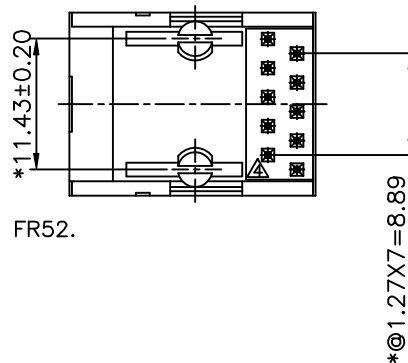
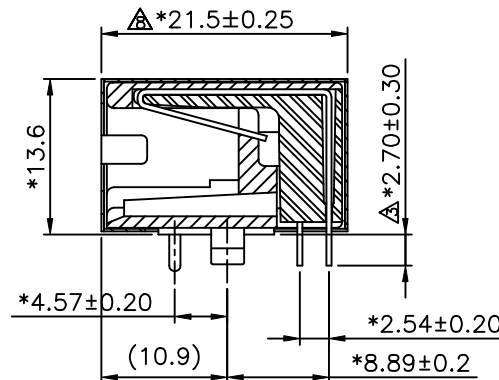
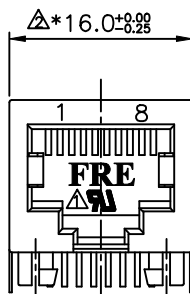


REVISION RECORD				
REV	ECO	DESCRIPTION	DRFT	CHKD
△		ADD PART NO.		
△		ADD PART NO.		
△		ADD PART NO.		
△		MODIFY DRAWING		
△		DRAWING MODIFY	SAMMY 10/14/02	
△		MODIFY DIM	YICUN 12/09/02	
△		DRAWING MODIFY	Syngye 3/10/2004	
△		ADD PART NO.	SHE 5/07/2004	



PC Board Layout Component Side Shown



NOTES:

ELECTRICAL:

- 1. VOLTAGE RATING : 125 VAC RMS MIN.
- 2. CURRENT RATING : 1.5 AMP MIN.
- 3. CONTACT RESISTANCE : 40 MILLIOHMS MAX.
- 4. INSULATION RESISTANCE : 1000 MEGOHMS MIN @ 500 VDC.
- 5. DIELECTRIC STRENGTH : 1000 VAC RMS 60Hz, 1MIN.

MECHANICAL:

- △1. HOUSING MATERIAL : GLASS FILLED POLYESTER UL94V-0 OR FR52.
- 2. CONTACT MATERIAL : PHOSPHOR BRONZE Ø0.46mm.
- 3. PLATING : GOLD PLATING OVER NICKEL.
- 4. OPERATING LIFE : 750 CYCLES MIN.
- 5. PCB RETENTION PRE-SOLDER : 1 LB MIN.
- 6. PCB RETENTION POST-SOLDER : 10 LBS MIN.

ENVIRONMENTAL:

- 1. STORAGE : -40°C TO +85°C.
- 2. OPERATION : 0°C TO 70°C.

MATES WITH MODULAR PLUG CONFORMING TO
FCC PART 68, SUBPART F.
CUL FILE NO. E163191

△ PART NUMBER: E590X-1X012X

- △ CONTACT: 8-8 CO SHIELD: 1-3u" 2-6u"
- 1-10 CO 3-TIN 3-15u" 4-30u"
- 5-50u" 6-Pd20u"
- 7-Pd30u" 8-Pd10u"
- △ F-Gold Flash (shenzhen less 1u")

△ C&D PART NUMBER: E590X-1X012XD

- △ CONTACT: 8-8 CO SHIELD: 1-3u" 2-6u"
- 1-10 CO 3-TIN 3-15u" 4-30u"
- 5-50u" 6-Pd20u"
- 7-Pd30u" 8-Pd10u"
- △ F-Gold Flash (shenzhen less 1u")

← MM (INCH) →		DFTO BASS	DATE 5/3/98
TOLERANCES EXCEPT AS NOTED		CHKD ANKUE	DATE 2005/5/18
		MFO	DATE
MM	±	APPVLLUSHENG	DATE 2005/5/18
.0 ±0.20	±	MATERIAL :	
.00 ±0.15	±	QTY :	
.000 ±0.075	±	FINISH :	
ANGLES ±		SCALE :	
THIRD ANGLE PROJECTION		DO NOT SCALE DRAWING	

FULL RISE ELECTRONIC CO., LTD

TITLE
20.57 PBC JACK 10P

DRAWING NO. GE593006 SIZE A3 REV 8
/PART NO. SEE NOTE

SHEET X OF Y