



Genesys Logic, Inc.

GL3233

**USB 3.0 Single-LUN
Memory Card Reader Controller**

Product Overview



Copyright

Copyright © 2012 Genesys Logic, Inc. All rights reserved. No part of the materials shall be reproduced in any form or by any means without prior written consent of Genesys Logic, Inc.

Ownership and Title

Genesys Logic, Inc. owns and retains of its right, title and interest in and to all materials provided herein. Genesys Logic, Inc. reserves all rights, including, but not limited to, all patent rights, trademarks, copyrights and any other propriety rights. No license is granted hereunder.

Disclaimer

All Materials are provided "as is". Genesys Logic, Inc. makes no warranties, express, implied or otherwise, regarding their accuracy, merchantability, fitness for any particular purpose, and non-infringement of intellectual property. In no event shall Genesys Logic, Inc. be liable for any damages, including, without limitation, any direct, indirect, consequential, or incidental damages. The materials may contain errors or omissions. Genesys Logic, Inc. may make changes to the materials or to the products described herein at anytime without notice.

Genesys Logic, Inc.

12F., No. 205, Sec. 3, Beixin Rd., Xindian Dist. 231,
New Taipei City, Taiwan
Tel : (886-2) 8913-1888
Fax : (886-2) 6629-6168
<http://www.genesyslogic.com>



GENERAL DESCRIPTION

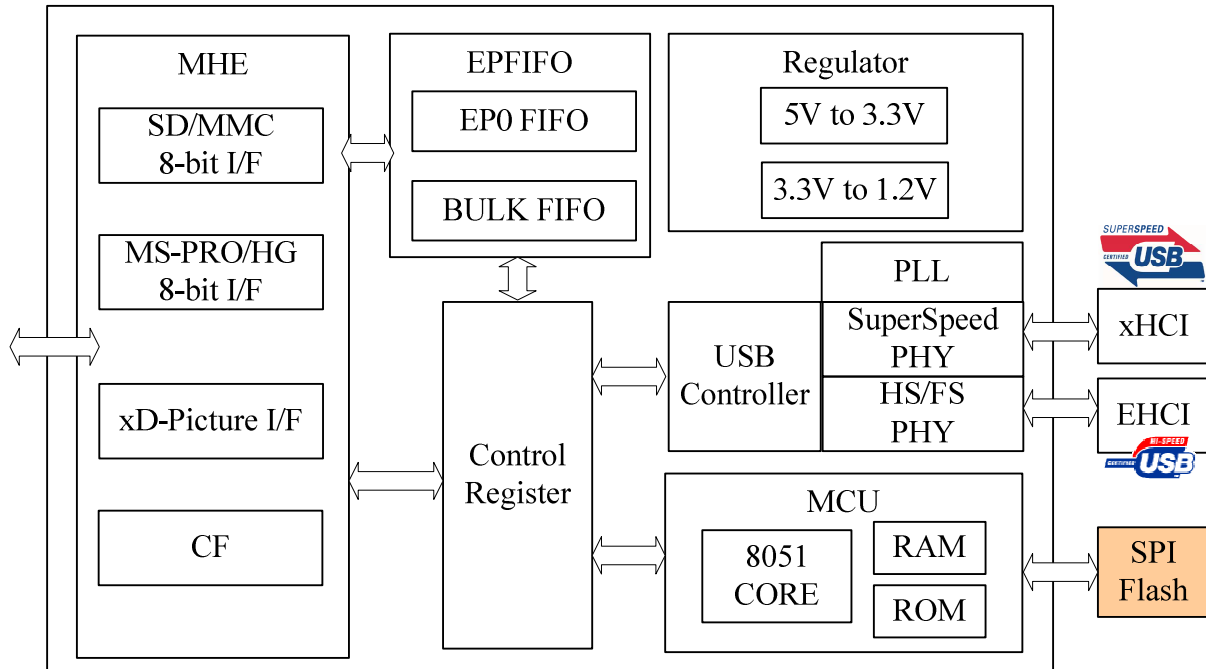
GL3233 is a USB 3.0 Single-LUN card reader controller which can support various types of memory cards, such as CompactFlash[™], Secure Digital[™] (SD), SDHC, miniSD, microSD (T-Flash), MultiMediaCard[™] (MMC), RS-MMC, MMCmicro, MMCmobile, Memory Stick[™] (MS), Memory Stick Duo[™] (MS Duo), High Speed Memory Stick[™] (HS MS), Memory Stick PRO[™] (MS PRO), Memory Stick PRO[™] Duo (MS PRO Duo), Memory Stick PRO-HG[™] (MS PRO-HG), MS PRO Micro and xD-Picture Card[™] on one chip. It also supports SDXC and Memory Stick XC high density memory cards (capacity up to 2TB) and high speed SD3.0 UHS-I memory cards.

The GL3233 integrates a high speed 8051 microprocessor and a high efficiency hardware engine for the best data transfer performance between USB and various memory card interfaces. It supports ISP (In System Programming) for firmware upgrade into the external SPI Flash via USB port. It also integrates 5V to 3.3V and 3.3V to 1.2V regulators and power MOSFETs which can reduce the system BOM cost.

FEATURES

- USB specification compliance
 - Comply with Universal Serial Bus 3.0 Specification rev. 1.0 (USB 3.0)
 - Comply with Universal Serial Bus Specification rev. 2.0 (USB 2.0)
 - Comply with USB Mass Storage Class Specification rev. 1.0
 - Support USB Mass Storage Class Bulk-Only Transport (BOT)
 - Support 1 device address and up to 3 endpoints: Control (0) / Bulk Data Write Out (1) / Bulk Data Read In (2)
 - Support 5 Gbps/SuperSpeed, 480 Mbps/high-speed, and 12 Mbps/full-speed transfer rates
- Integrated USB building blocks
 - SuperSpeed/USB2.0 transceiver macro (UTM), Serial Interface Engine (SIE) and embedded Power-On Reset (POR)
- Embedded high speed 8051 micro-controller
- High efficiency hardware DMA engine improves data transfer performance between USB and flash card interfaces
- Support CompactFlash™ v6.0 with PIO mode 6 / Ultra DMA mode 7 and LBA48 (Capacity up to 144PB)
- Support Secure Digital™ v1.0 / v1.1 / v2.0/ SDHC / SDXC (capacity up to 2TB)
- Support Secure Digital™ v3.0 UHS-I (Ultra High Speed): SDR12/SDR25/SDR50/DDR50/SDR104
- Compliant with MultiMediaCard™ (MMC)
 - MMC specification v3.x / v4.0 / v4.1 / v4.2 / v4.3 / v4.4
 - x1 / x4 / x8 bit data bus
- Support Memory Stick™ / Memory Stick PRO / Memory Stick PRO Duo / Memory Stick Micro / Memory Stick PRO-HG / Memory Stick XC (capacity up to 2TB)
 - Compliant with Memory Stick Series Specification: MS v1.43, MS PRO v1.05, MS Micro v1.04 (MS HG Micro v1.00), MS PRO-HG Duo 1.03, MS XC Duo v1.00, MS XC-HG Duo v1.00, MS XC Micro v1.00 and MS XC-HG Micro v1.00
 - Support Read/Write quad data access (512Bytex4) for MS PRO-HG to enhance the transmission rate
- Support xD-Picture Card™ v1.2C Type M/H
- Support ISP (In System Programming) for firmware upgrade into the external SPI Flash via USB port
- On-Chip power MOSFETs for supplying flash media card power
- On-chip 5V to 3.3V and 3.3V to 1.2V regulator
- Support U0/U1/U2/U3 power management mode
- Pass the USB-IF Test Procedure for SuperSpeed product (TID: 340810011)
- Pass WHCK (Windows Hardware Certification Kit) test for Windows 8 (Submission ID: 1508144)
- Pass WHQL (Windows Hardware Quality Lab) test for Windows 7 (Submission ID: 1497856)
- Available in LQFP64 pin package (7x7mm) which can support one LUN: SD/MS/xD/CF
- Available in LQFN46 pin package (6.5x4.5mm) which can support one LUN: SD/MS/xD
- Available in LQFP48 pin package (7x7mm) which can support one LUN: SD/MS/xD

BLOCK DIAGRAM



Functional Block Diagram

Super Speed and HS/FS PHY

The transceiver macro is the analog circuitry that handles the low level USB protocol and signaling, and shifts the clock domain of the data from the USB to one that is compatible with the general logic.

USB Controller

The USB Controller, which contains the USB PID and address recognition logic, and other sequencing and state machine logic to handle USB packets and transactions.

EPFIFO

Endpoint FIFO includes Control FIFO (FIFO0) and Bulk In/Out FIFO

- **EP0 FIFO** FIFO of control endpoint 0. It is 512-byte FIFO and used for endpoint 0 data transfer.
- **Bulk In/Out FIFO** It can be in the TX mode or RX mode:
 1. It can be transmit/receive 512-byte data of USB 2.0 and 1K-byte data of USB 3.0 continuously.
 2. It can be directly accessed by micro-controller

MCU

8051 micro-controller inside.

- **8051 Core** Compliant with Intel 8051 high speed micro-controller
- **ROM** Firmware code on ROM
- **SRAM** Internal RAM area for MCU access



MHE (Media Hardware Engine)

Media Interface: CF/xD/SD/MMC/MS/MS PRO/MS PRO-HG

Regulator

- 5V to 3.3V 3.3V Power Source
- 3.3V to 1.2V 1.2V Power Source