

DUAL ENTRY KEY OPERATED SAFETY INTERLOCK NOMENCLATURE



BODY / INDICATOR		CONDUIT		BASIC $\triangle 9$		HEAD		KEY	
B	NO INDICATOR	A	1/2 NPT	1	SNAP ACTION 1 NC - 1 NO, A600	L	OPENING TO FRONT AND TOP	6	STRAIGHT
C	SINGLE LED INDICATOR	B	PG 13.5	2	SNAP ACTION 2 NC - 2 NO, A600	M	OPENING TO RIGHT AND TOP	7	90 DEGREE
D	DOUBLE LED INDICATOR	C	20 MM	3	SLOW ACTING 1 NC - 1 NO BBM, A600	N	OPENING TO BACK AND TOP	8	UP-DOWN - SPRING LOADED
		D	PF 1/2	4	SLOW ACTING 1 NC - 1 NO MBB, A600	P	OPENING TO LEFT AND TOP	9	SIDE-SIDE - SPRING LOADED
				6	SLOW ACTING 2 NC, A500			X	NO KEY
				7	SNAP ACTION 1 NC - 1 NO - GOLD, A600				
				10	SLOW ACTING 4 NC, A300				
				12	SLOW ACTING 2 NC - 1 NO BBM, A300				
				14	SLOW ACTING 2 NC - 2 NO BBM, A300				
				16	SLOW ACTING 3 NC - 1 NO BBM, A300				
				30	SLOW ACTING 4 NC - GOLD, A300				
				32	SLOW ACTING 2 NC - 1 NO BBM - GOLD, A300				
				34	SLOW ACTING 2 NC - 2 NO BBM - GOLD, A300				
				36	SLOW ACTING 3 NC - 1 NO BBM - GOLD, A300				

P.T.C./CAD 30
 DRAWN MAM 28 AUG 98
 CHECK JAF 07 JAN 09
 DVM 12 MAY 99
 CHECK 21 SEP 06
 RS 07 JAN 09
 CHECK 21 SEP 06
 REVISIONS
 A 206394 TSM 9 SEP 02
 B 206443 JLR 13 SEP 02
 C 206976 JLR 27 NOV 02
 D 207003 GJR 4 DEC 02
 E 207211 TSM 15 JAN 03
 F 207576 TSM 5 MAR 03
 G 0000385 GJR 2 JUN 03
 H 0025008 GJR 21 SEP 06
 J 0047425 GJR 07 JAN 09
 ISSUE 30
 DRAWING NUMBER
 M GK SERIES CHART 3
 PAGE 1 OF 8
 RELEASE NO. PR-23758
 REPLACES

NOTES

- ZINC DIECAST BODY AND HEAD WITH STEEL COVER. BODY, HEAD AND COVER FINISHED WITH EPOXY PAINT
- MINIMUM OPERATING VELOCITY (V_{min}) = 10 mm/S
 .39 in/S
 MAXIMUM OPERATING VELOCITY (V_{max}) = 1 M/S
 39.4 in/S
- MAXIMUM OPERATING FREQUENCY (F_{max}) = 100 OPS/MIN
 FREEPORT/NEWHOUSE APPROVAL
- INSERTION FORCE = 35N NOM
 8 LB
 EXTRACTION FORCE = 28 N NOM
 6 LB
- SNAP ACTION N.C. CONTACTS: POSITIVE OPENING
 SLOW MAKE AND BREAK N.C. CONTACTS: DIRECT ACTING
- WHEN KEY IS INSERTED: N.C. TERMINALS ARE 11/12, 21/22, 31/32 AND/OR 41/42
 N.O. TERMINALS ARE 13/14, 23/24, 33/34 AND/OR 43/44
- $\triangle 9$ THE MAXIMUM VOLTAGE, V_e OF GKC AND GKD SERIES PRODUCTS IS THE MAXIMUM RATED VOLTAGE OF INDICATION LIGHTS: 12 TO 250 VAC/DC FOR GKC AND 18 TO 30 VDC FOR GKD
- THE LEFT INDICATOR IS GREEN AND IS INTENDED TO INDICATE "POWER ON". THIS FEATURE IS ON GKD SERIES PRODUCTS ONLY.
 THE RIGHT INDICATOR IS YELLOW AND IS INTENDED TO INDICATE "OUTPUT STATUS". THIS FEATURE IS ON GKC AND GKD SERIES PRODUCTS ONLY
- $\triangle 9$ SEE BASIC SWITCH COLUMN FOR VOLTAGE RATING
- T-15 TAMPER PROOF TORX DRIVER BIT PROVIDED
- SWITCH MUST OPERATE BEFORE REACHING MINIMUM INSERTION DISTANCE
- "S" MARK APPROVAL APPLICABLE ONLY FOR GK TYPE BA14XXX, BA16XXX SERIES ONLY

ELECTRICAL RATING $\triangle 7$				ENVIRONMENTAL		APPROVALS	
AC		DC		IP 67 NEMA 1, 4, 12 & 13			
A300/A600	AC15	Q300	DC13	TEMP RANGE: -25°C TO 85°C -13°F TO 185°F		UL	
$U_e/\triangle 9$	I_e	U_e	I_e	STORAGE: -40°C TO 85°C -40°F TO 185°F		S	
(VOLTS)	(AMPS)	(VOLTS)	(AMPS)	SHOCK: 50G PER IEC 68-2-27		IEC 947-5-1	
120	6	24	2.8	VIBRATION: 10G PER IEC 68-2-6		EN50041	
240	3	125	.55			S $\triangle 12$	
380	1.9	250	.27				
480	1.5						
500	1.4						
600	1.2						
Ith = 10A							

THIS DRAWING COVERS A PROPRIETARY ITEM AND IS THE PROPERTY OF MICRO SWITCH, A DIVISION OF HONEYWELL. THIS DRAWING IS NOT TO BE COPIED OR USED WITHOUT THE APPROVAL OF MICRO SWITCH.

MICRO SWITCH
a Honeywell Division

SWITCH - LIMIT

CATALOG LISTING
GK SERIES CHART 3

THIRD ANGLE PROJECTION

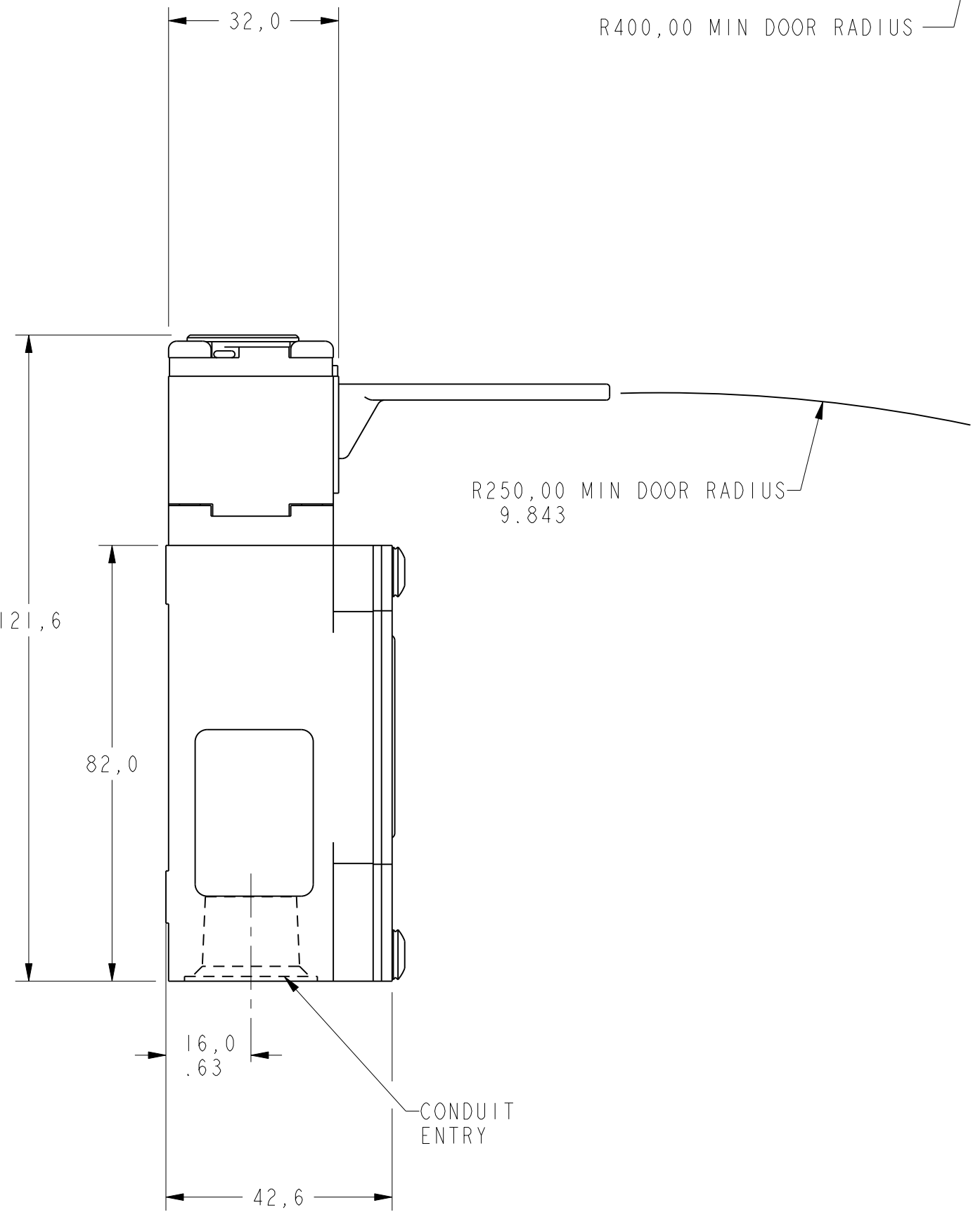
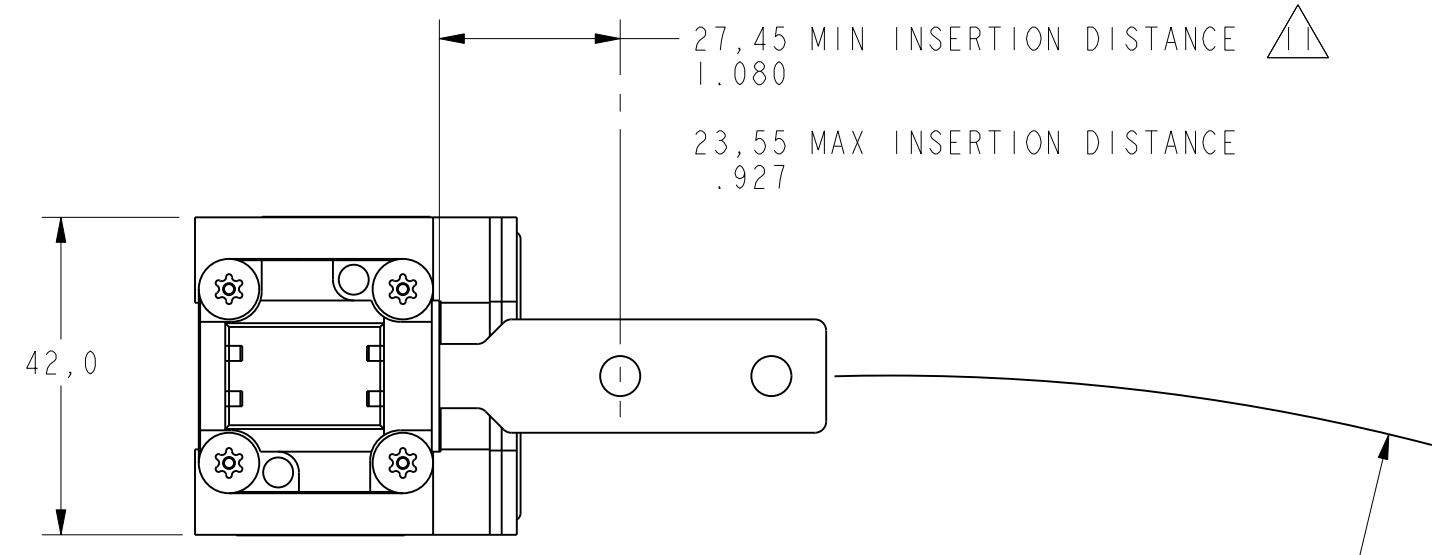
SCALE NONE

DO NOT SCALE PRINT

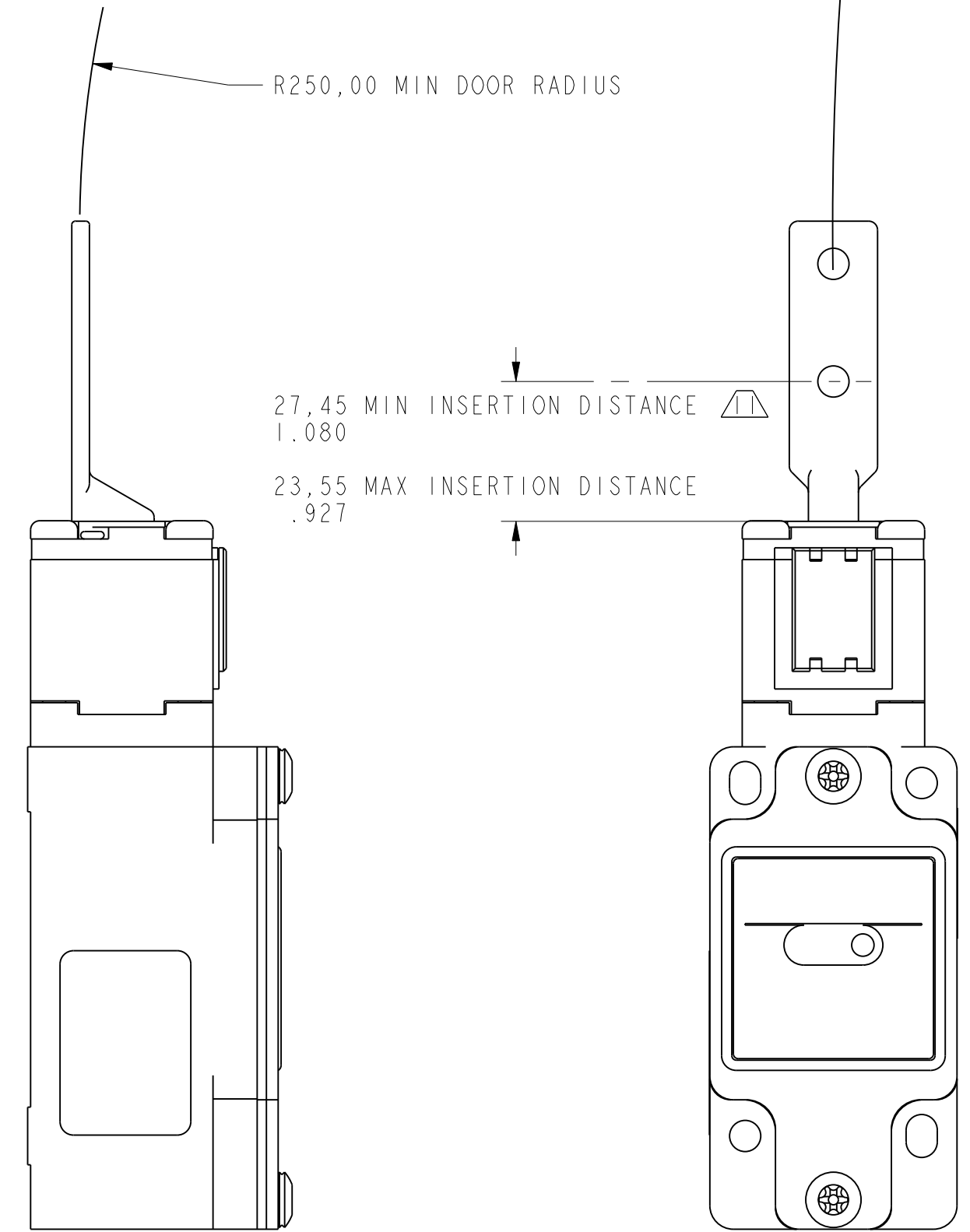
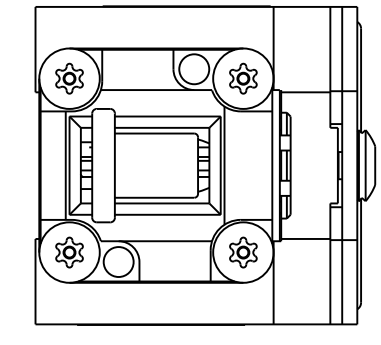
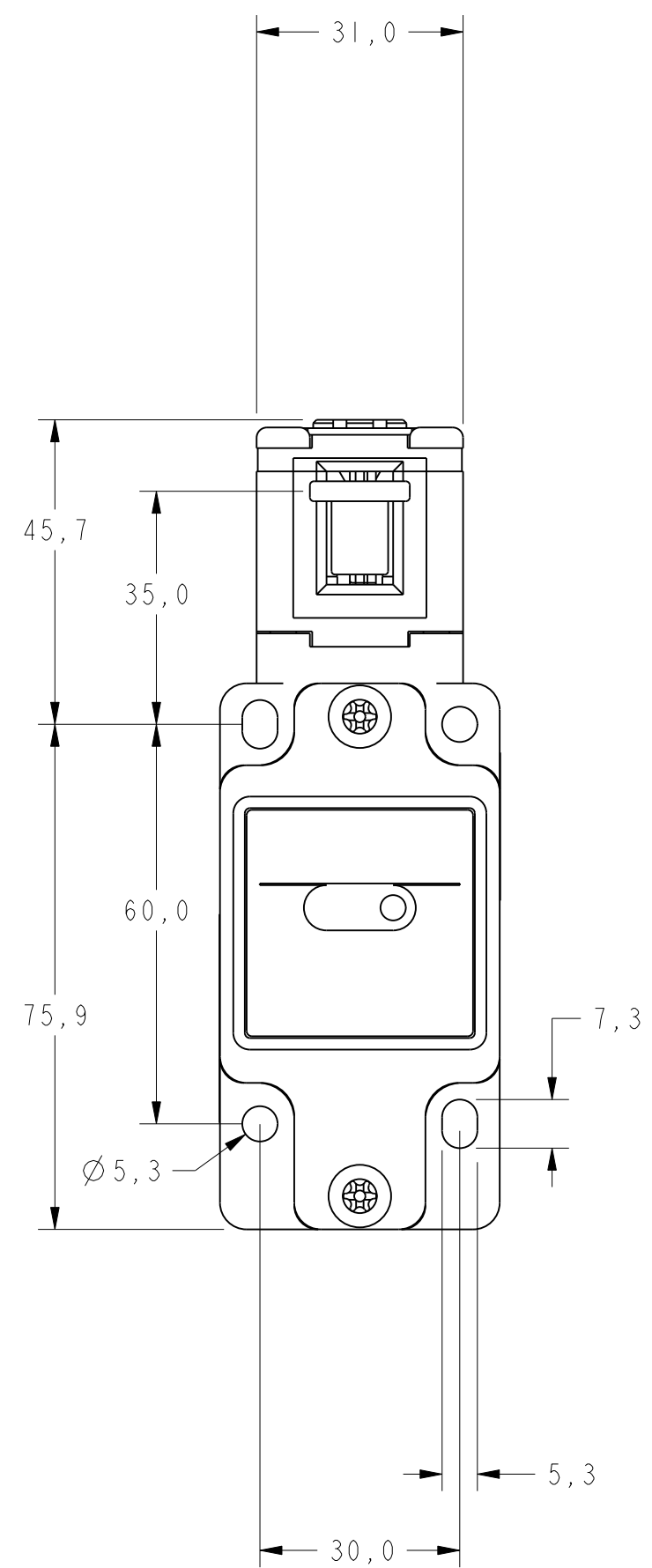
UNLESS OTHERWISE SPECIFIED TOLERANCES ARE

ONE PLACE	(.0)	±.030
TWO PLACES	(.00)	±.015
THREE PLACES	(.000)	±.005
ANGLES		±

WEIGHT APPROX .5 KG / 1 LB



FRONT ENTRY



TOP ENTRY

P.T.C./CAD 30
 DRAWN MAM 28 AUG 98
 CHECK JAF 07 JAN 09
 DVM 12 MAY 99
 CHECK JAF 07 JAN 09
 RS 07 JAN 09
 CHECK DVM 21 SEP 06
 RS 07 JAN 09
 CHECK RS 07 JAN 09
 RELEASE NO. PR-23758
 DRAWING NUMBER 30
 ISSUE 30
 GK SERIES CHART 3
 REVISIONS
 A 206394 TSM 9SEP02
 B 206443 TSM 13SEP02
 C 206976 TSM 27NOV02
 D 207003 TSM 4DEC02
 E 207211 TSM 15JAN03
 F 207576 TSM 5MAR03
 G 0000385 TSM 2JUN03
 H 0025008 TSM 21SEP06
 J 0047425 TSM 07JAN09

THIS DRAWING COVERS A PROPRIETARY ITEM AND IS THE PROPERTY OF MICRO SWITCH, A DIVISION OF HONEYWELL. THIS DRAWING IS NOT TO BE COPIED OR USED WITHOUT THE APPROVAL OF MICRO SWITCH.

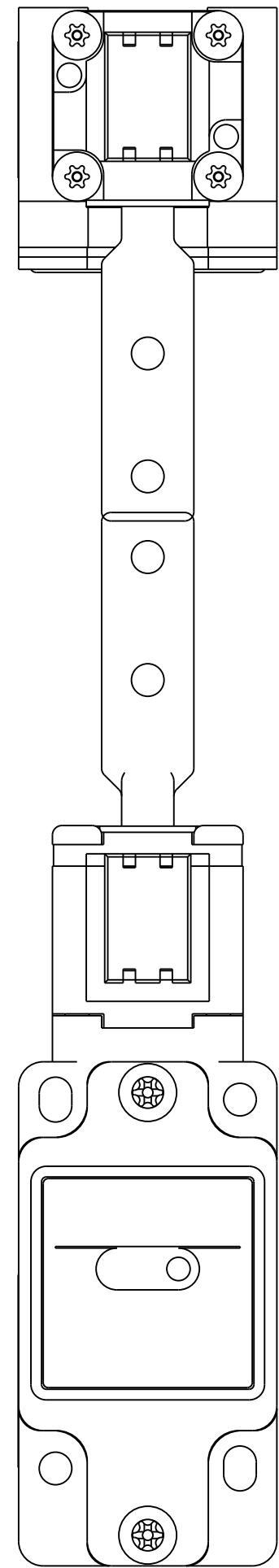
MICRO SWITCH
a Honeywell Division

SWITCH - LIMIT

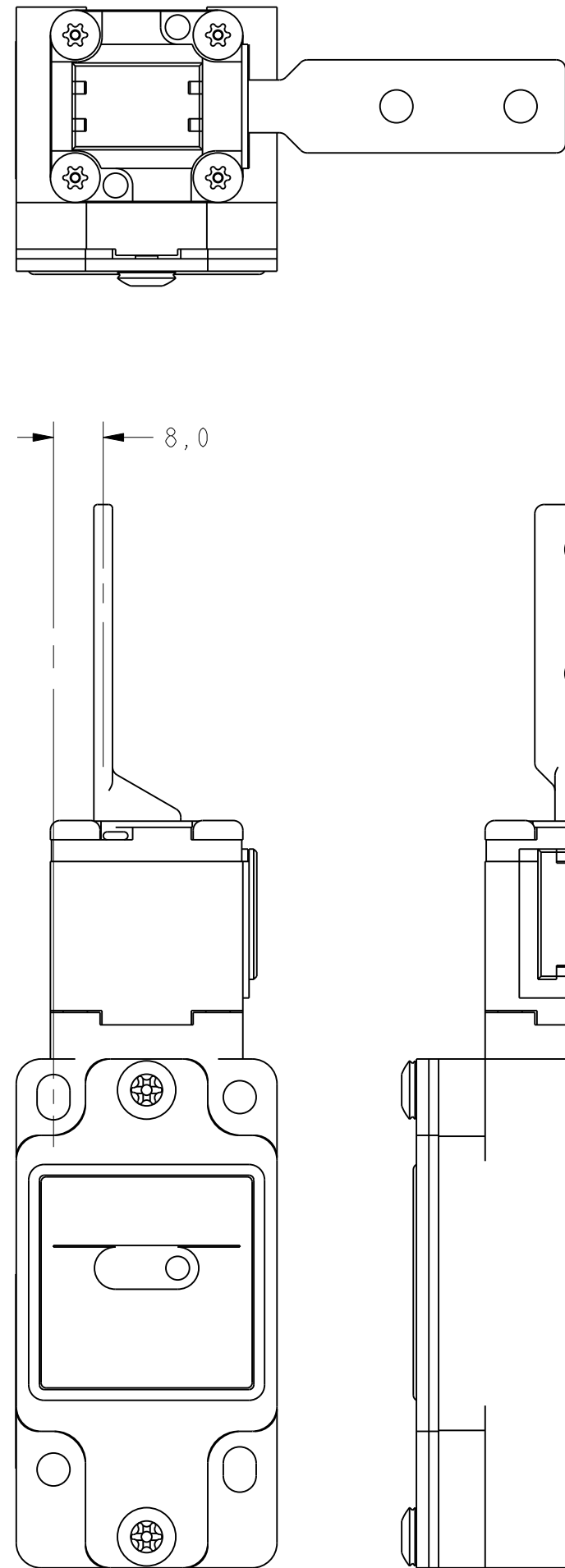
CATALOG LISTING
GK SERIES CHART 3

ANSI Y14.5M-1982 APPLIES

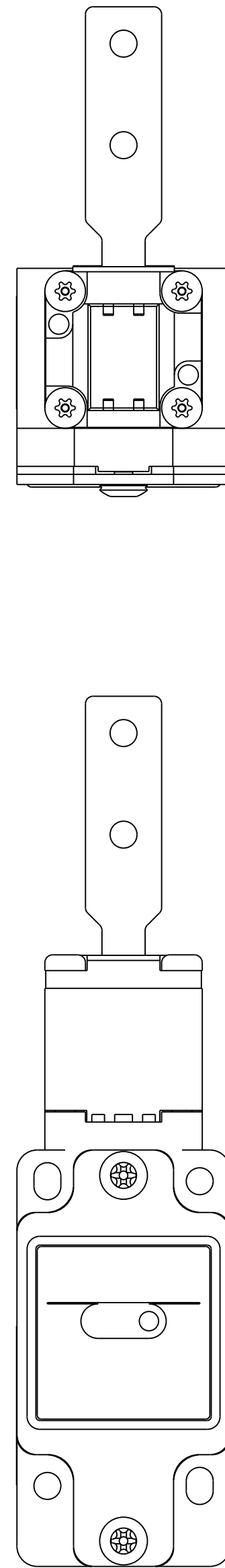
THIRD ANGLE PROJECTION	
SCALE FULL	
DO NOT SCALE PRINT	
UNLESS OTHERWISE SPECIFIED TOLERANCES ARE	
ONE PLACE	(.0) ±.030
TWO PLACES	(.00) ±.015
THREE PLACES	(.000) ±.005
ANGLES	±
WEIGHT APPROX .5 KG / 1LB	



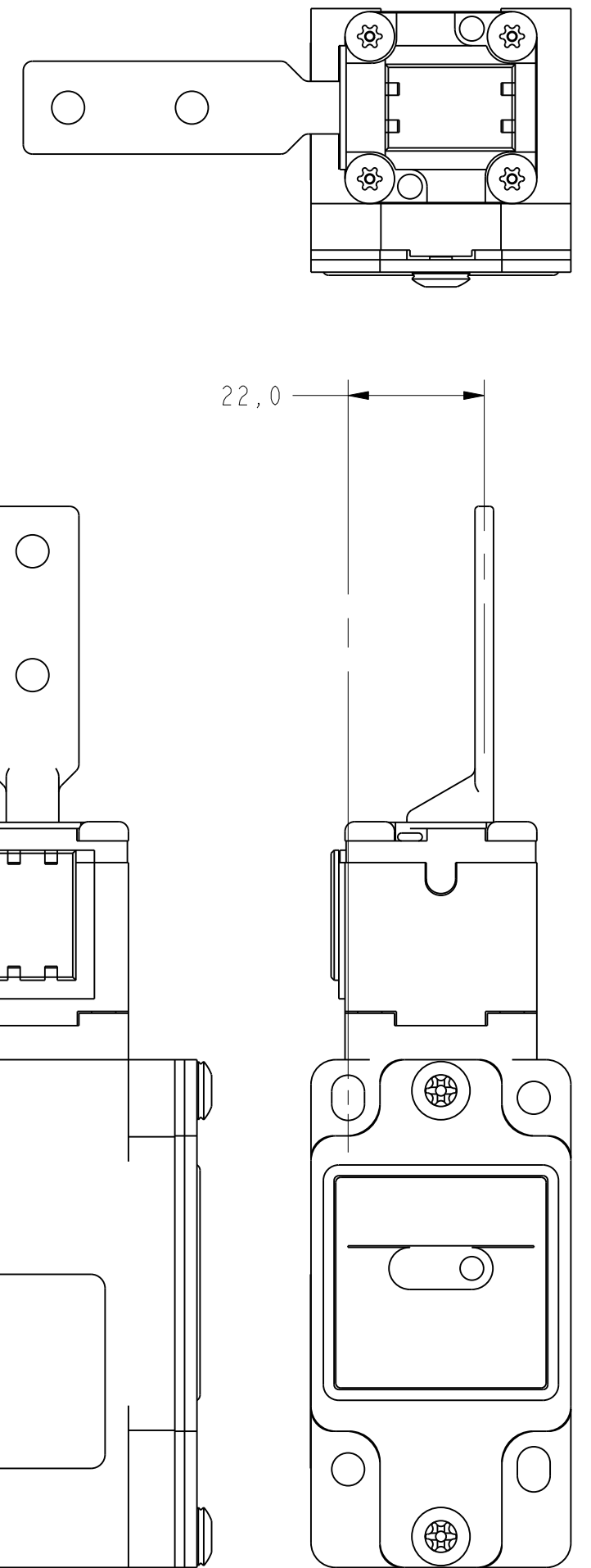
HEAD CODE L



HEAD CODE M



HEAD CODE N



HEAD CODE P

ISSUE 30
 DRAWING NUMBER
 M GK SERIES CHART 3
 PAGE 3 OF 8
 RELEASE NO. PR-23758
 RS 07JAN09
 CHECK DVM 21SEP06
 CHECK JAF 12MAY99
 MAM 31 AUG 98
 P.T.C./CAD 30
 DRAWN
 07JAN09

REVISIONS	
A	206394 TSM 9SEP02
B	206443 JLF 13SEP02
C	206976 JLF 27NOV02
D	207003 GFL 4DEC02
E	207211 TSM 15JAN03
F	207576 TSM 5MAR03
G	0000385 GFL 2JUN03
H	0025008 BNA 21SEP06
J	0047425 JLF 07JAN09

THIS DRAWING COVERS A PROPRIETARY ITEM AND IS THE PROPERTY OF MICRO SWITCH, A DIVISION OF HONEYWELL. THIS DRAWING IS NOT TO BE COPIED OR USED WITHOUT THE APPROVAL OF MICRO SWITCH.

MICRO SWITCH
a Honeywell Division

SWITCH - LIMIT

CATALOG LISTING
GK SERIES CHART 3

THIRD ANGLE PROJECTION

SCALE FULL

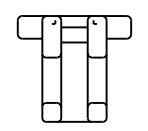
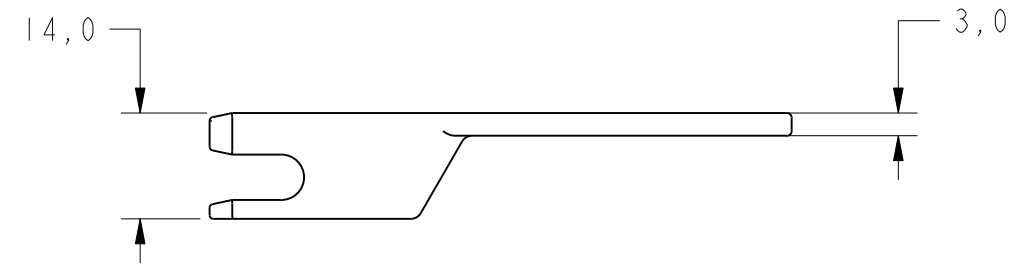
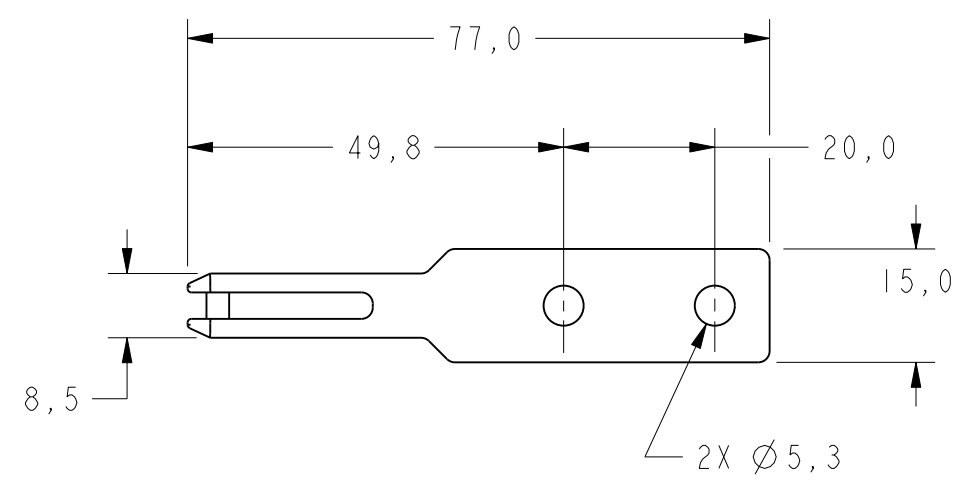
DO NOT SCALE PRINT

UNLESS OTHERWISE SPECIFIED TOLERANCES ARE

ONE PLACE	(.0)	±.030
TWO PLACES	(.00)	±.015
THREE PLACES	(.000)	±.005
ANGLES		±

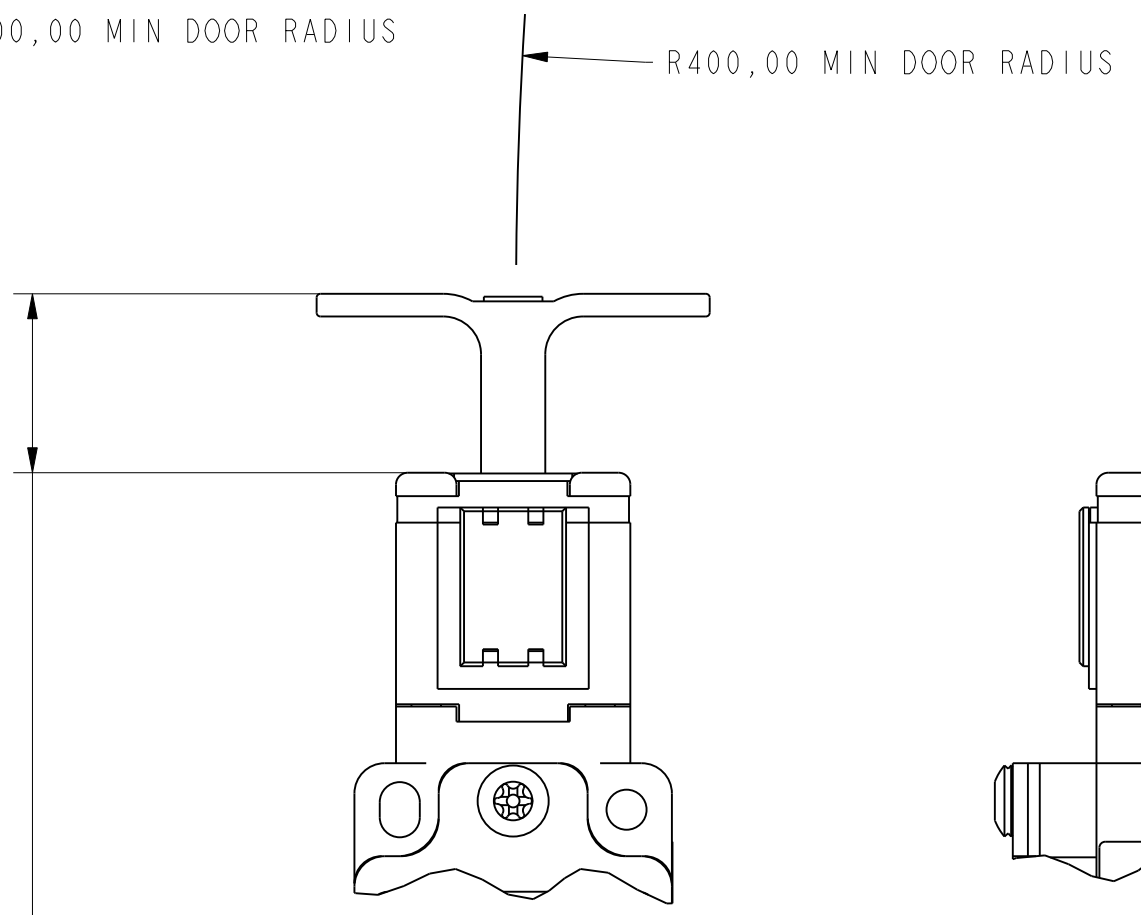
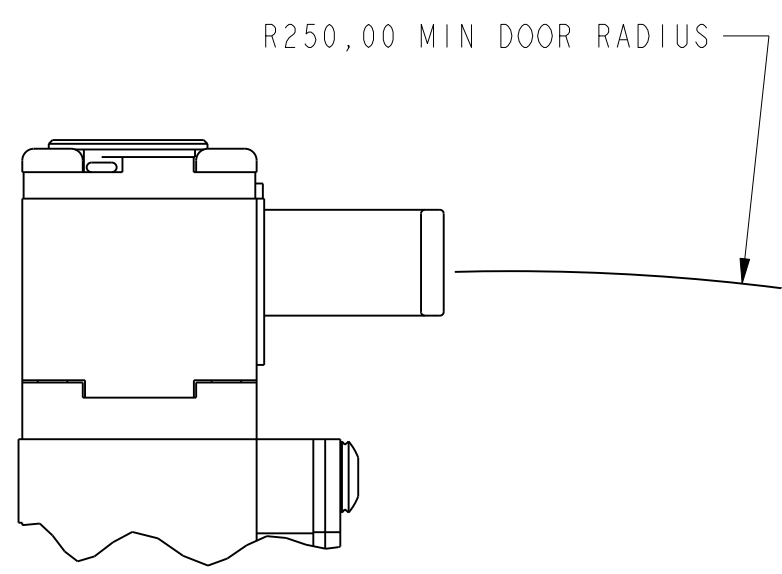
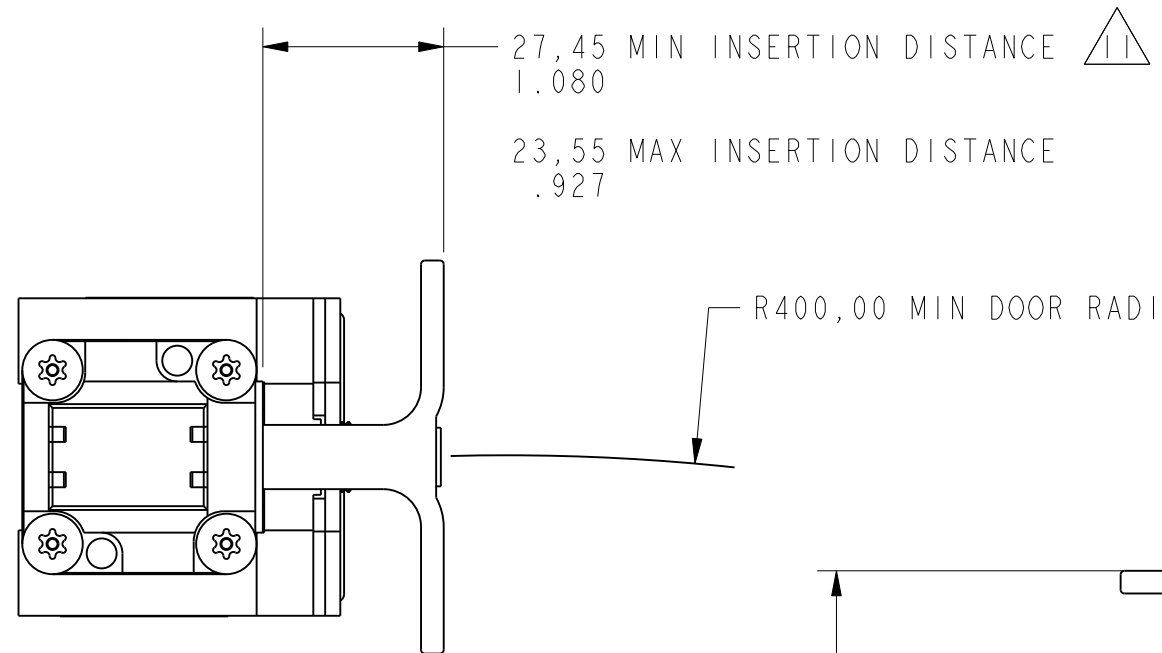
WEIGHT APPROX .5 HG / 1 LB

ANSI Y14.5M-1982 APPLIES
FED. MFG. CODE 91929

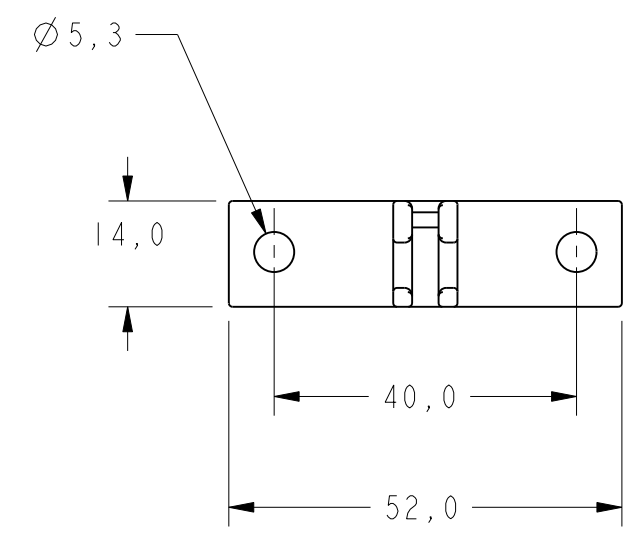
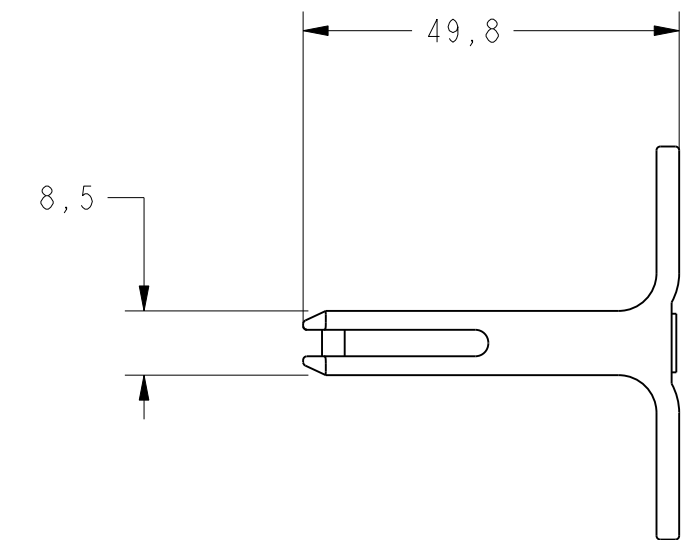


KEY CODE 6

P.T.C./CAD 30
 DRAWN MAM 31 AUG 98
 CHECK JAF 07 JAN 09
 DVM 12 MAY 99
 CHECK 21 SEP 06
 RS 07 JAN 09
 CHECK 21 SEP 06
 RELEASE NO. PR-23758
 PAGE 4 OF 8
 GK SERIES CHART 3
 DRAWING NUMBER
 ISSUE 30
 REVISIONS
 A 206394 TSM 9 SEP 02
 B 206443 TSM 13 SEP 02
 C 206976 TSM 27 NOV 02
 D 207003 TSM 4 DEC 02
 E 207211 TSM 15 JAN 03
 F 207576 TSM 5 MAR 03
 G 0000385 TSM 21 SEP 06
 H 0025008 TSM 21 SEP 06
 J 0047425 TSM 07 JAN 09



R250,00 MIN DOOR RADIUS



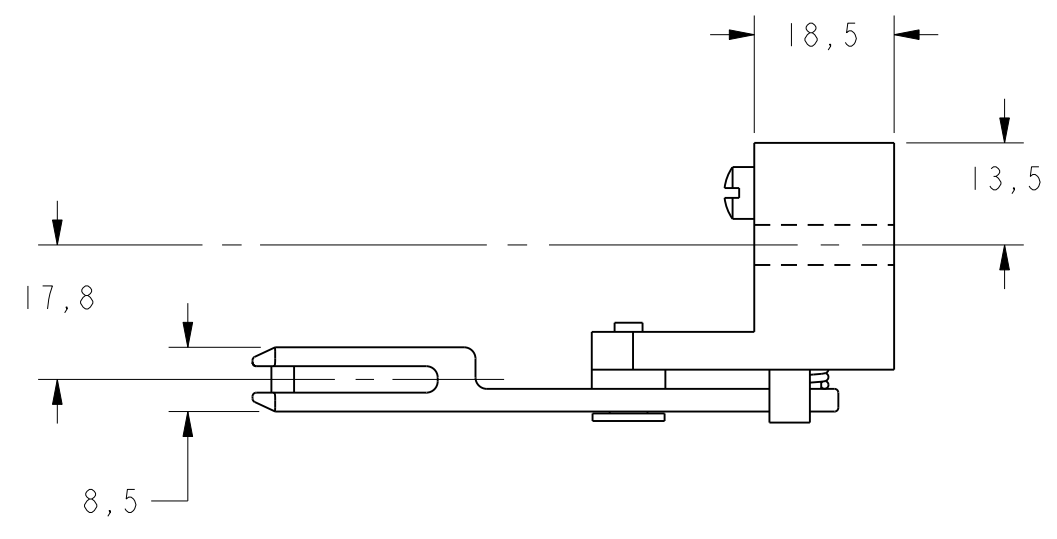
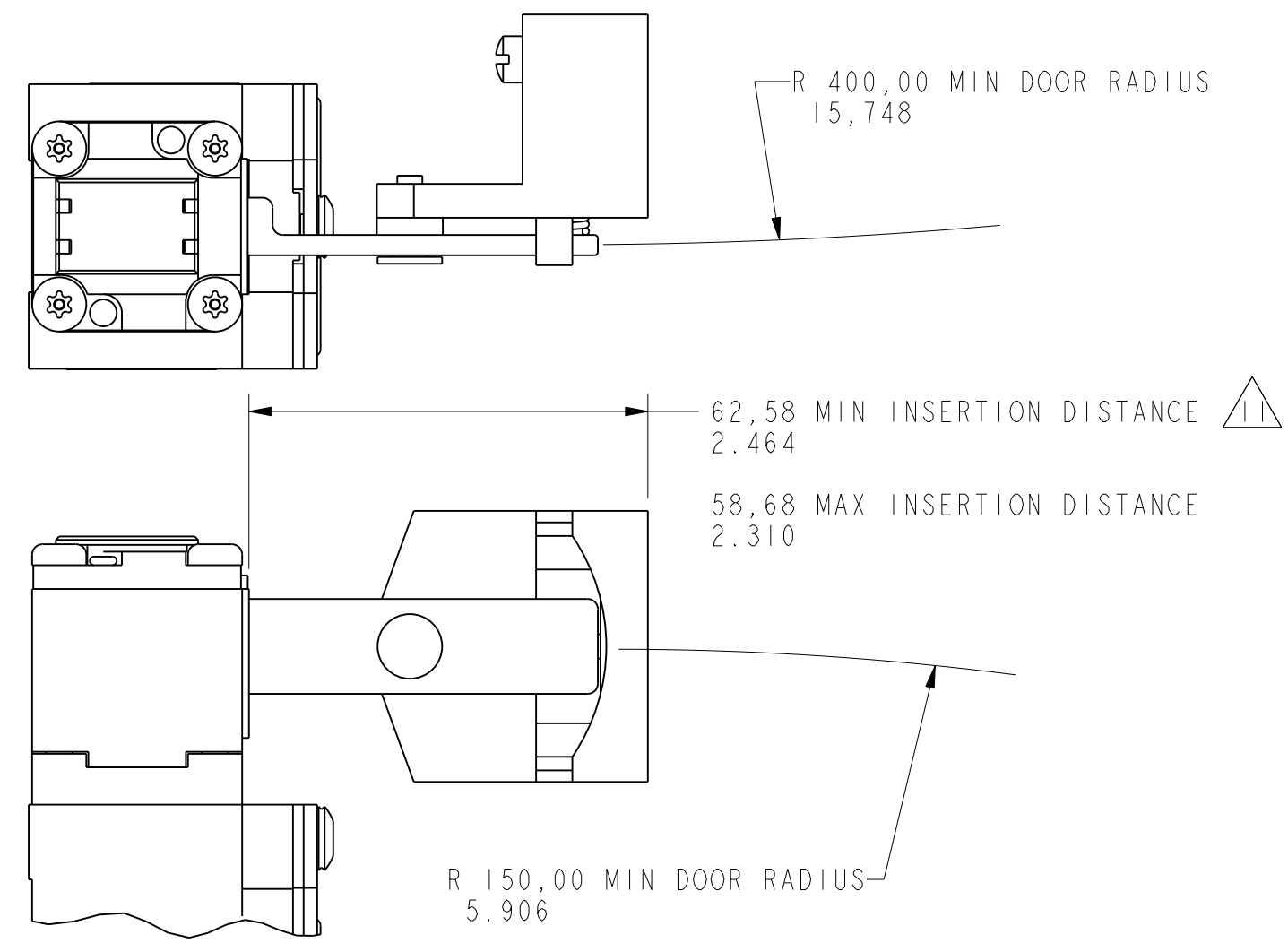
27,45 MIN INSERTION DISTANCE 1.080
 23,55 MAX INSERTION DISTANCE .927
 TOP ENTRY

KEY CODE 7

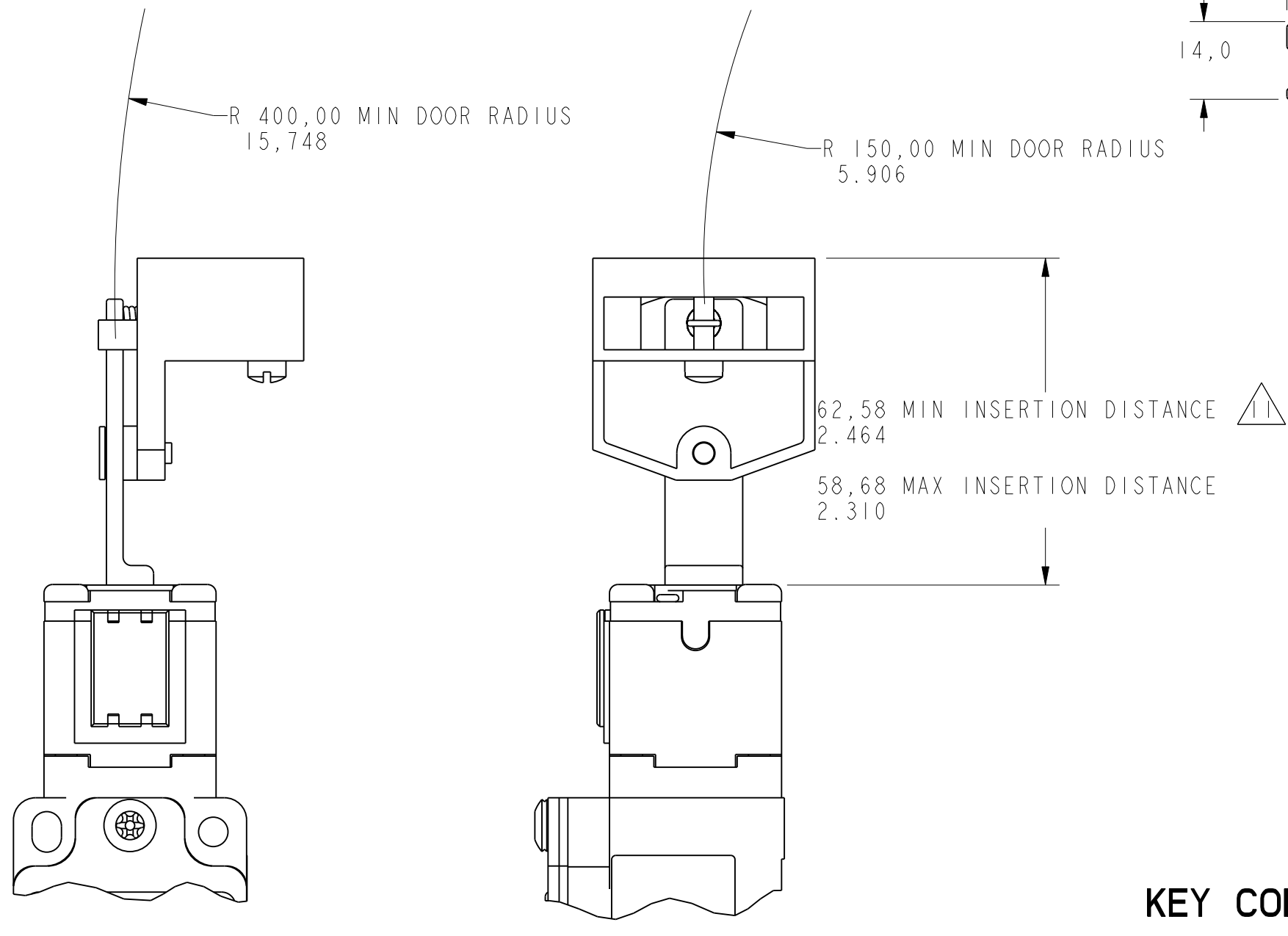
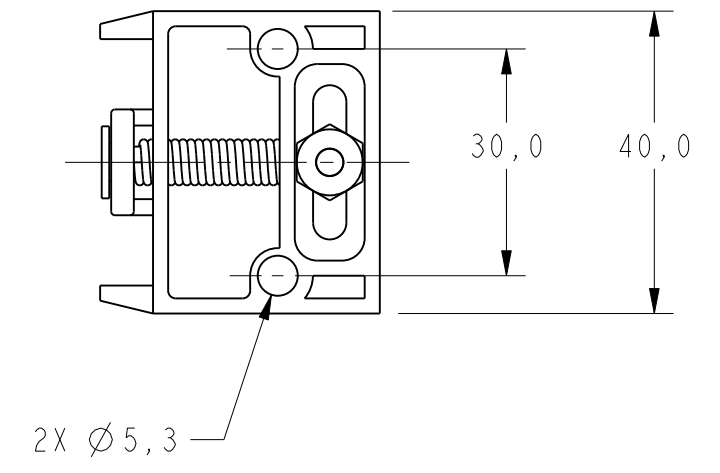
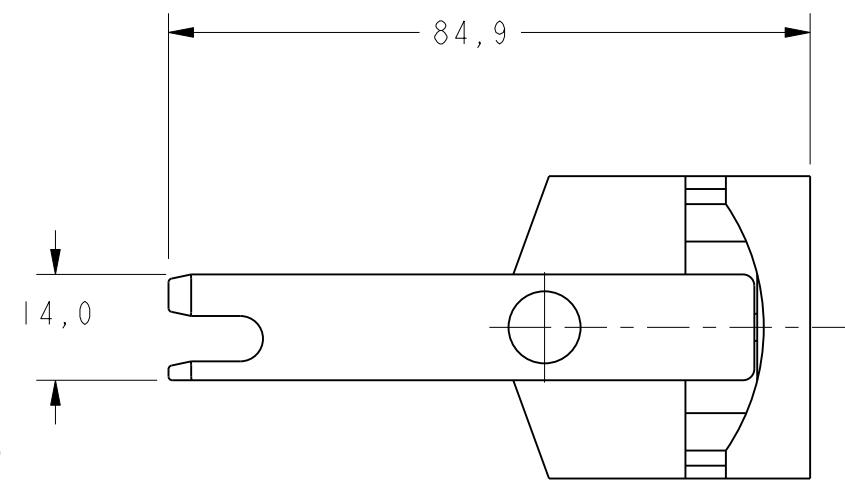
FRONT ENTRY

THIS DRAWING COVERS A PROPRIETARY ITEM AND IS THE PROPERTY OF MICRO SWITCH, A DIVISION OF HONEYWELL. THIS DRAWING IS NOT TO BE COPIED OR USED WITHOUT THE APPROVAL OF MICRO SWITCH.		
MICRO SWITCH a Honeywell Division	SWITCH - LIMIT	CATALOG LISTING GK SERIES CHART 3
ANSI Y14.5M-1982 APPLIES		

THIRD ANGLE PROJECTION		
SCALE FULL		
DO NOT SCALE PRINT		
UNLESS OTHERWISE SPECIFIED TOLERANCES ARE		
ONE PLACE	(.0)	± .030
TWO PLACES	(.00)	± .015
THREE PLACES	(.000)	± .005
ANGLES		±
WEIGHT APPROX .5 KG / 1 LB		



FRONT ENTRY



KEY CODE 8

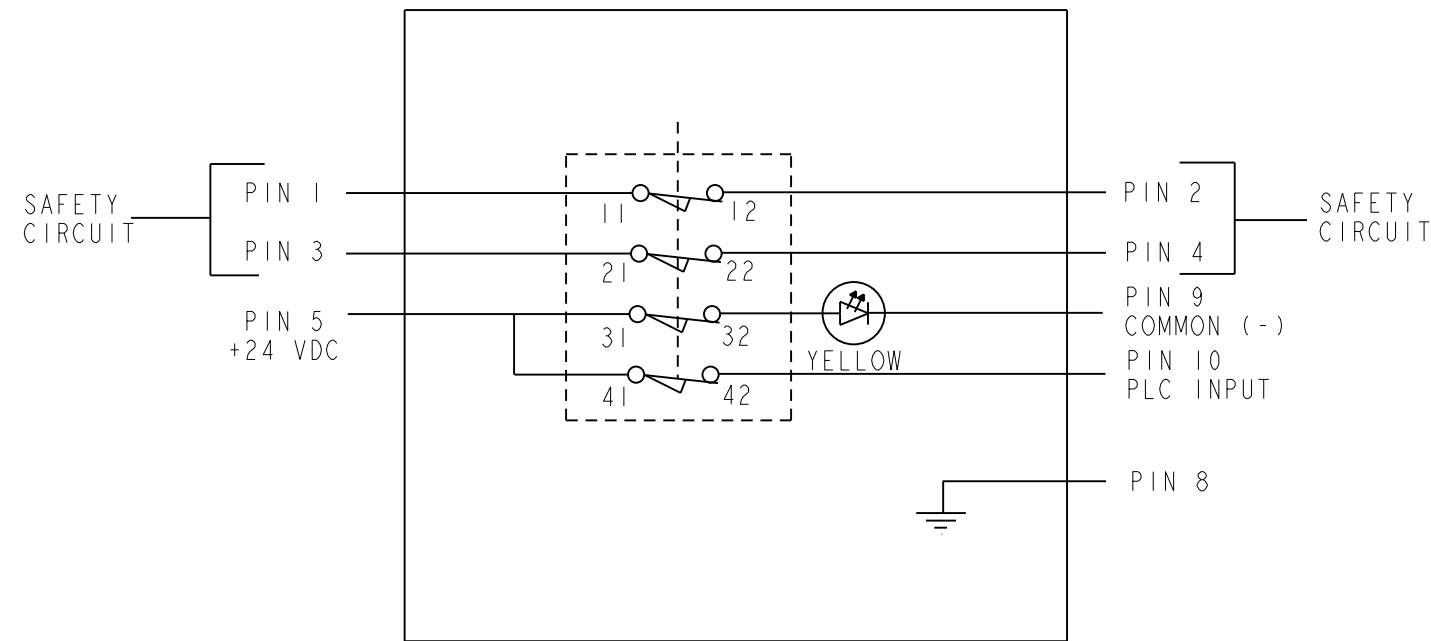
TOP ENTRY

GK SERIES CHART 3		PAGE 5 OF 8		REPLACES	
DRAWING NUMBER		RELEASE NO. PR-23758			
ISSUE	30	CHECK	RS	DATE	07 JAN 09
REVISIONS		CHECK	DVM	DATE	12 MAY 99
A	206394	TSM			
B	206443	TSM			
C	206976	TSM			
D	207003	TSM			
E	207211	TSM			
F	207576	TSM			
G	0000385	TSM			
H	0025008	TSM			
J	0047425	TSM			
DRAWN		CHECK	JAF	DATE	07 JAN 09
P.T.C./CAD		CHECK		DATE	
MAM		CHECK		DATE	

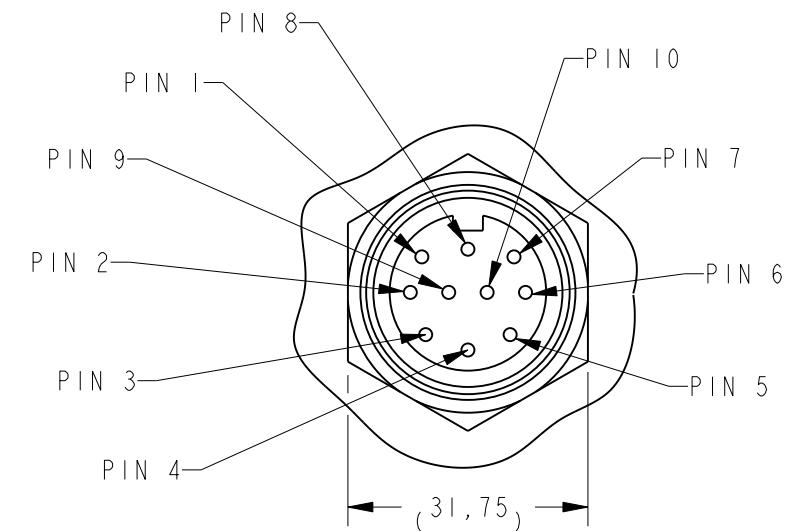
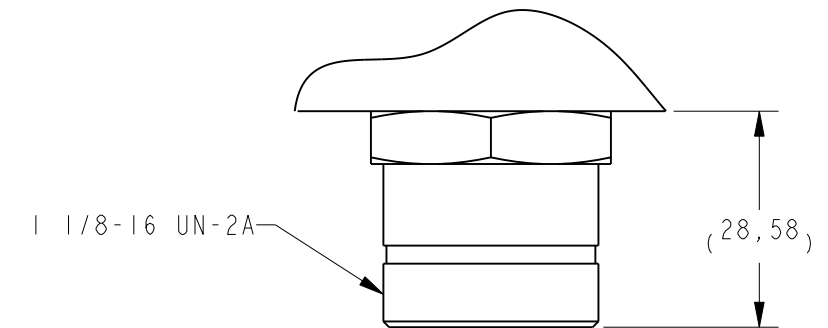
ANSI Y14.5M-1982 APPLIES

THIS DRAWING COVERS A PROPRIETARY ITEM AND IS THE PROPERTY OF MICRO SWITCH, A DIVISION OF HONEYWELL. THIS DRAWING IS NOT TO BE COPIED OR USED WITHOUT THE APPROVAL OF MICRO SWITCH.		
MICRO SWITCH a Honeywell Division	SWITCH - LIMIT	CATALOG LISTING GK SERIES CHART 3
THIRD ANGLE PROJECTION SCALE FULL DO NOT SCALE PRINT UNLESS OTHERWISE SPECIFIED TOLERANCES ARE ONE PLACE (.0) ±.030 TWO PLACES (.00) ±.015 THREE PLACES (.000) ±.005 ANGLES ± WEIGHT APPROX .5 KG / 1 LB		

MODIFICATION CODE: F06



SWITCH DIAGRAM STATE SHOWN WITH KEY INSERTED

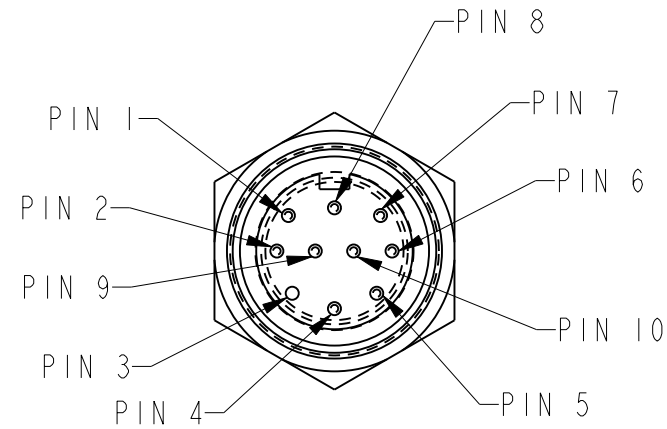


300V 2.5A
BRAD HARRISON PART NO. 47205-22
OR EQUIVALENT

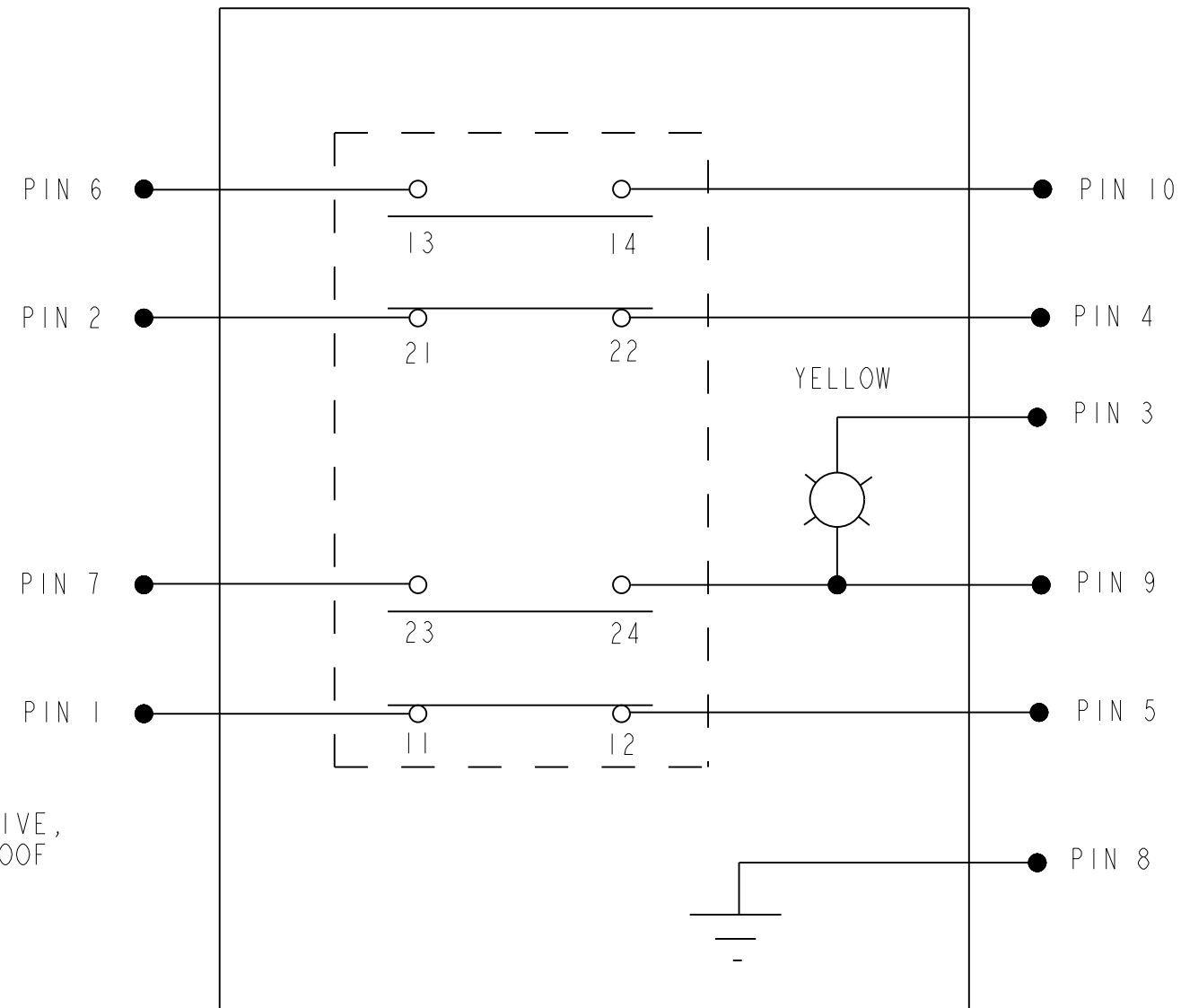
CATALOG LISTING **GK SERIES CHART 3** PAGE 7 OF 8
 ISSUE **30**
 REVISIONS
 A 206394 TSM 09SEP02
 B 206443 J LH 13SEP02
 C 206976 J LH 27NOV02
 D 207003 GLH 4DEC02
 E 207211 TSM 15JAN03
 F 207576 TSM 5MAR03
 G 0000385 GLH 02JUN03
 H 0025008 BNA 21SEP06
 J 0047425 LK 07JAN09
 PTC/CAD 3D
 DRAWN LJK 11 NOV 99
 CHECK LJK 07 JAN 09
 RELEASE NO. PR-23758
 REPLACES RS 07 JAN 09
 CHECK RS 21 SEP 06
 CHECK DVM 11 NOV 99
 CHECK JAF 11 NOV 99
 CHECK LK 07 JAN 09

THIRD ANGLE PROJECTION			
SCALE NONE			
DO NOT SCALE PRINT			
TOLERANCES			
APPLY TO DESIGN UNITS. CONVERSIONS ARE ONLY FOR REFERENCE. UNLESS NOTED, TOLERANCES ARE :			
	DIM.	TOL	
	mm	mm/in	
NO PLACES	X	1/.04	X.X 0.8/.03
ONE PLACE	X.X	0.4/.016	X.XX 0.38/.015
TWO PLACES	X.XX	0.15/.006	X.XXX 0.13/.005
THREE PLACES	X.XXX		
ANGLES			
SI METRIC		US CUSTOMARY	
DESIGN UNITS	<input checked="" type="checkbox"/>	<input type="checkbox"/>	
WEIGHT APPROX .5KG / 1LB			

MODIFICATION CODE: FW



10-PIN CONNECTOR $\triangle 2$



**BASIC SWITCH TO 10-PIN CONNECTOR
CIRCUIT DIAGRAM
DIAGRAM SHOWN WITH KEY INSERTED**

NOTES

- 1 - THE TWO COVER SCREWS ARE COMBINATION DRIVE, THE FOUR HEAD SCREWS ARE T-15 TAMPER PROOF TORX DRIVE (DRIVER BIT IS PROVIDED)
- $\triangle 2$ 10-PIN CONNECTOR, BRAD HARRISON PART NO. 47205-22 OR EQUIVALENT

CATALOG LISTING **GK SERIES CHART 3**
 PAGE 8 OF 8
 ISSUE **30**
 REVISIONS
 A 206394 TSM 9SEP02
 B 206443 JLH 13SEP02
 C 206976 JLH 27NOV02
 D 207003 GLH 4DEC02
 E 207211 TSM 15JAN03
 F 207576 TSM 5MAR03
 G 0000385 GLH 2JUN03
 H 0025008 BNA 21SEP06
 J 0047425 LK 07JAN09
 PTC/CAD 3D
 DRAWN
 GRT 18 JAN 00 CHECK
 SAV 18 JAN 00 CHECK
 DVM 18 JAN 00 CHECK
 D 207003 GLH 4DEC02
 E 207211 TSM 15JAN03
 F 207576 TSM 5MAR03
 G 0000385 GLH 2JUN03
 H 0025008 BNA 21SEP06
 J 0047425 LK 07JAN09
 C 206976 JLH 27NOV02
 D 207003 GLH 4DEC02
 E 207211 TSM 15JAN03
 F 207576 TSM 5MAR03
 G 0000385 GLH 2JUN03
 H 0025008 BNA 21SEP06
 J 0047425 LK 07JAN09
 B 206443 JLH 13SEP02
 C 206976 JLH 27NOV02
 D 207003 GLH 4DEC02
 E 207211 TSM 15JAN03
 F 207576 TSM 5MAR03
 G 0000385 GLH 2JUN03
 H 0025008 BNA 21SEP06
 J 0047425 LK 07JAN09
 A 206394 TSM 9SEP02
 B 206443 JLH 13SEP02
 C 206976 JLH 27NOV02
 D 207003 GLH 4DEC02
 E 207211 TSM 15JAN03
 F 207576 TSM 5MAR03
 G 0000385 GLH 2JUN03
 H 0025008 BNA 21SEP06
 J 0047425 LK 07JAN09
 RS 07 JAN 09 CHECK
 SAV 18 JAN 00 CHECK
 DVM 18 JAN 00 CHECK
 D 207003 GLH 4DEC02
 E 207211 TSM 15JAN03
 F 207576 TSM 5MAR03
 G 0000385 GLH 2JUN03
 H 0025008 BNA 21SEP06
 J 0047425 LK 07JAN09
 C 206976 JLH 27NOV02
 D 207003 GLH 4DEC02
 E 207211 TSM 15JAN03
 F 207576 TSM 5MAR03
 G 0000385 GLH 2JUN03
 H 0025008 BNA 21SEP06
 J 0047425 LK 07JAN09
 B 206443 JLH 13SEP02
 C 206976 JLH 27NOV02
 D 207003 GLH 4DEC02
 E 207211 TSM 15JAN03
 F 207576 TSM 5MAR03
 G 0000385 GLH 2JUN03
 H 0025008 BNA 21SEP06
 J 0047425 LK 07JAN09
 A 206394 TSM 9SEP02
 B 206443 JLH 13SEP02
 C 206976 JLH 27NOV02
 D 207003 GLH 4DEC02
 E 207211 TSM 15JAN03
 F 207576 TSM 5MAR03
 G 0000385 GLH 2JUN03
 H 0025008 BNA 21SEP06
 J 0047425 LK 07JAN09
 REPLACES
 RELEASE NO. PR-23758

THIRD ANGLE PROJECTION			
SCALE NONE			
DO NOT SCALE PRINT			
TOLERANCES			
APPLY TO DESIGN UNITS. CONVERSIONS ARE ONLY FOR REFERENCE. UNLESS NOTED, TOLERANCES ARE :			
	DIM.	TOL	DIM.
	mm	mm/in	in
NO PLACES	X	1/.04	X.X 0.8/.03
ONE PLACE	X.X	0.4/.016	X.XX 0.38/.015
TWO PLACES	X.XX	0.15/.006	X.XXX 0.13/.005
THREE PLACES	X.XXX		
ANGLES			
SI METRIC		US CUSTOMARY	
DESIGN UNITS	<input checked="" type="checkbox"/>	<input type="checkbox"/>	
WEIGHT	0,4 KG / 1LB		