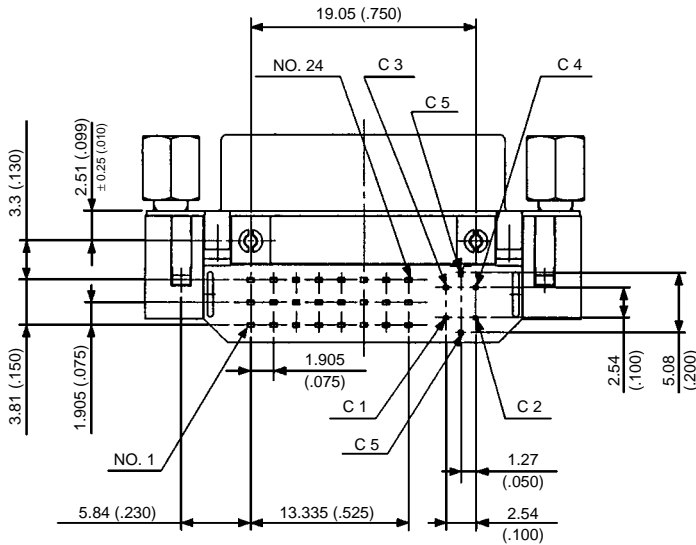
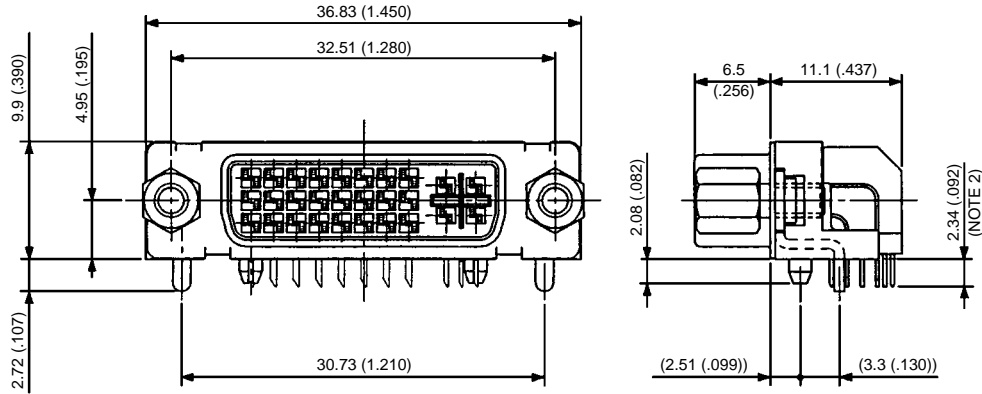




# DV2 SERIES CONNECTORS

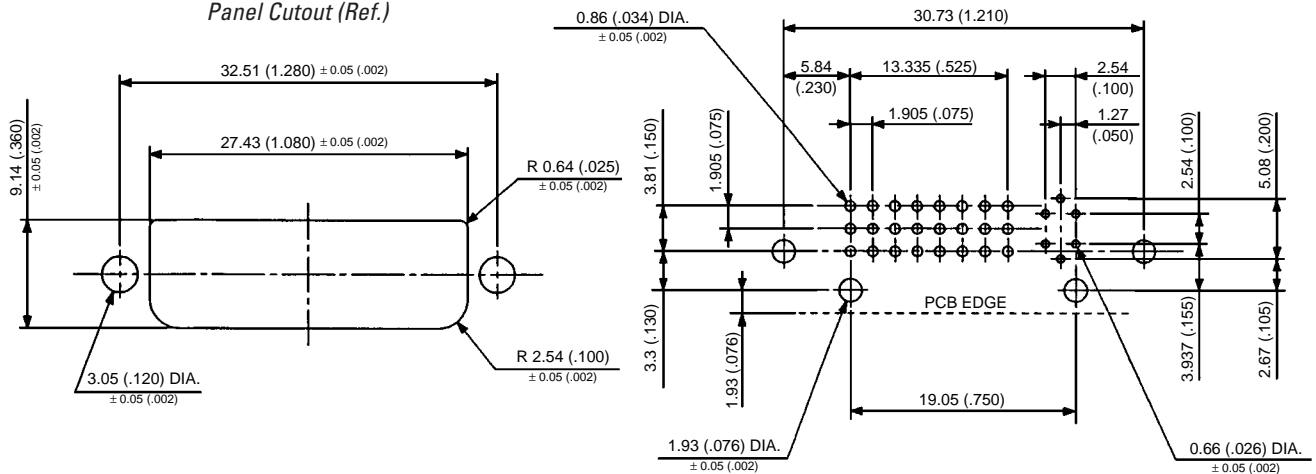
1.905mm (.075") Contact Spacing, EMI Shielded, PCB-to-Cable Connectors

RECEPTACLE: DV2R029N\*\* • Analog & Digital



Applicable PCB Layout (Ref.)

Panel Cutout (Ref.)



Dimensions in mm (inches).

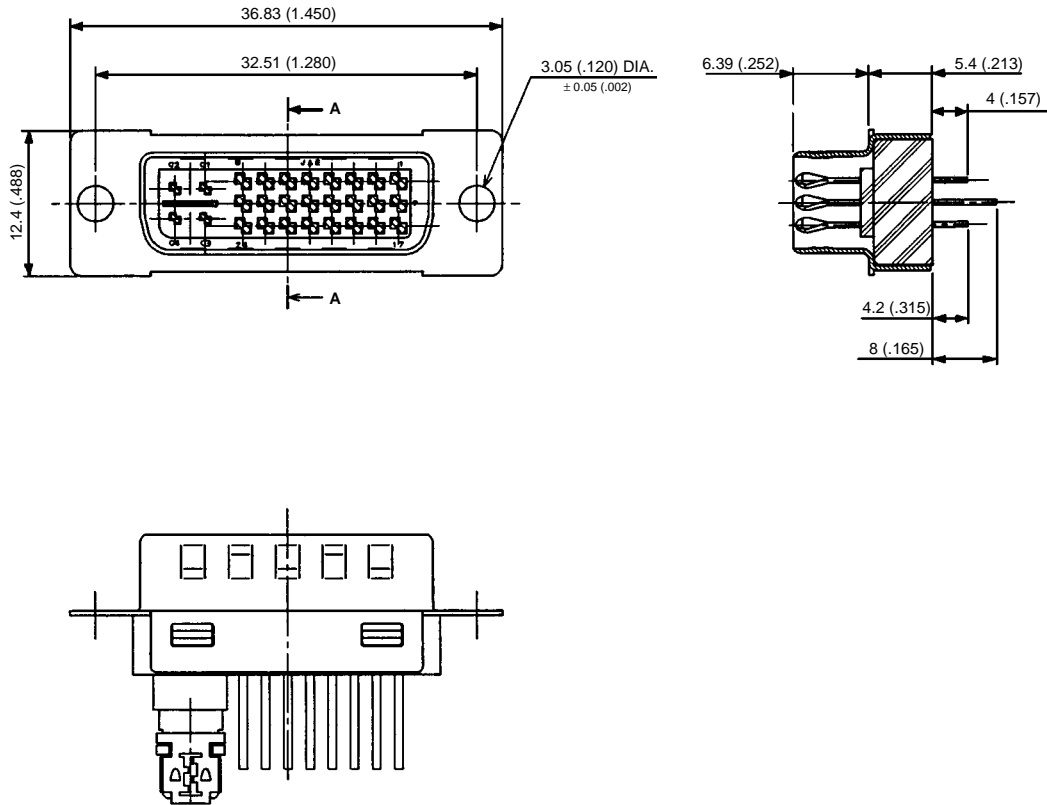




# DV2 SERIES CONNECTORS

1.905mm (.075") Contact Spacing, EMI Shielded, PCB-to-Cable Connectors

PLUG: DV2P\*\*\*M11



Dimensions in mm (inches).