

## Power Supply Cord with DK Power (Mains) Plug 2-pole, Angled



Denmark

DK / SP 107-  
2-D1**Description**

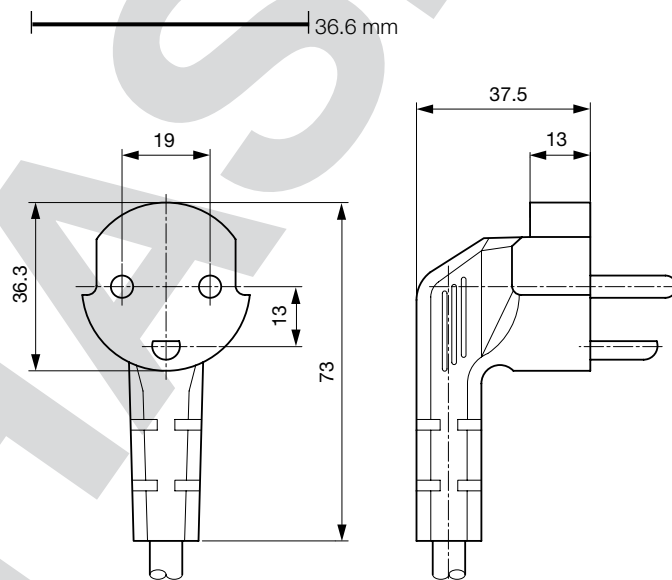
Power Supply Cord,  
- Protection class I, Pin temperature 70 °C, Cable

**References****Weblinks**

[pdf](#), [General Product Information](#), [Approvals](#), [RoHS](#), [CHINA-RoHS](#), [Mating Connectors](#), [e-Store](#), [SCHURTER-Stock-Check](#), [Distributor-Stock-Check](#), [Accessories](#)

**Technical Data**

Ratings IEC	10A / 250VAC; 50Hz
Ratings UL/CSA	10A / 250VAC; 60Hz
Dielectric Strength	> 2 kVDC between L-N > 2 kVAC between L/N-PE (1 min/50Hz)
Allowable Operation Temp.	-25 °C to 70 °C
Degree of Protection	from front side IP 20 acc. to IEC 60529
Protection Class	Suitable for appliances with protection class 1 acc. to IEC 61140
Terminal	moulded
Material: Housing	PVC, black or grey

**Dimensions**

## Config. Code

## 4250 - R - Type - D - Length

The characters are placeholders for the correspondingly keys of selections from the key tables.  
Typ steht für die Dose bzw. 2. Seite, Länge ist die Leitungslänge in mm.

4250 - **R** - Type - D - Length = cord type

cord type	Configuration key
H03VV-F 3G0,75mm <sup>2</sup>	C
H05VV-F 3G0,75mm <sup>2</sup>	G

Cord definition is detailed in general product information XXX

4250 - R - **Type** - D - Length = Cord end 2

Cord end 2
zzzz, 1654, 2512, 2530, 3012, 3013, 3020, 3027, 3030, 311L, 312L, 3366

4250 - R - Type - **D** - Length = Color

Color	Configuration key
jet black; RAL9005	A
silver grey; RAL7001	B

4250 - R - Type - D - **Length** = Cord length

Cord length
zzzz, 000500, 001000, 001500, 002000, 002500, 003000, 005000

Cord length in mm