

2770W SERIES

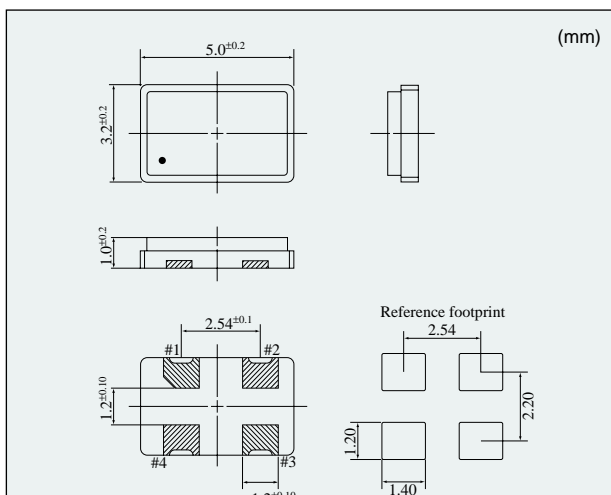
■ Features

- Supply voltage 5.0V.
- Directly drives C-MOS IC.
- The PLL technology enables this series to cover the frequency range from 1 to 125MHz.
- The frequency writing technology makes quick delivery possible.
- Height compatible with slim IC package (TSSOP, TVSOP).
- Half the area and 1/3 the volume of 2500 Series package (7.0×5.0×1.7mm).
- Ultra light weight (0.05g).
- The best choice for portable PC, PDA and PC card.
- Current Consumption in stand-by state is 50μA or less.
- Embossed carrier tape and IR reflow are possible.

■ **Absolute Maximum Rating**
Supply Voltage (V_{DD}) -0.5~+7.0V DC
Storage Temperature Range -40~+85°C

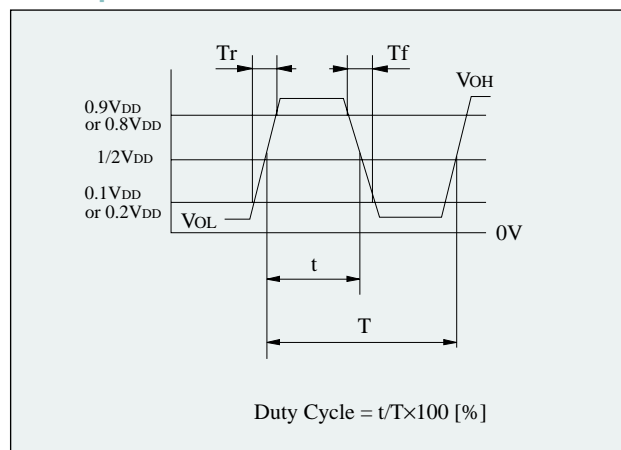
Item		Model	2770W		
Output Level			C-MOS		
Frequency Range	(MHz)		1≤F≤40	40<F≤70	70<F≤125
Frequency Stability /Operating Temp. Range	(×10 ⁻⁶)/(°C)		±100/-20~+70 (Standard Model), ±50/-10~+70		
Supply Voltage (V _{DD})	(V)		+5±10%		
Current Consumption (+5V, at 25°C)			25mA	40mA	50mA
	stand-by		50μA		
V _{OL} max / V _{OH} min	(V)		0.1V _{DD} /0.9V _{DD} I _{OL} =8mA, I _{OH} =-8mA		
Tr max/Tf max	(ns)		5/5 (0.1V _{DD} ~0.9V _{DD})		3/3 (0.2V _{DD} ~0.8V _{DD})
Duty Cycle	(%)		45~55 (at 1/2V _{DD})		40~60 (at 1/2V _{DD})
Fanout (gate)	CL (pF)		15		
Stand-by Function	Tri-state		Yes		
Jitter max	P-P (ps)		250 (<33MHz), 200 (≥33MHz) (at CL = 15pF)		

■ 2770W Series Outline



PAD No.	Connection
# 1	STAND-BY
# 2	GND
# 3	OUTPUT
# 4	V _{DD}

■ Output Wave <C-MOS>



■ Stand-by Function <Tri-state>

# 1 pin input	# 3 pin output
H level (+2 V _{DD} min) or open	Operating
L level (+0.8 V _{DD} max)	High impedance (Weak pull down)