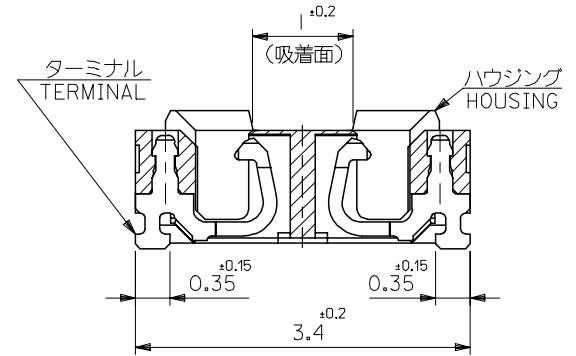
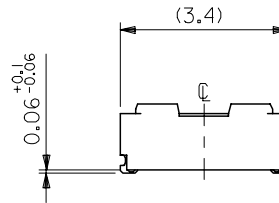
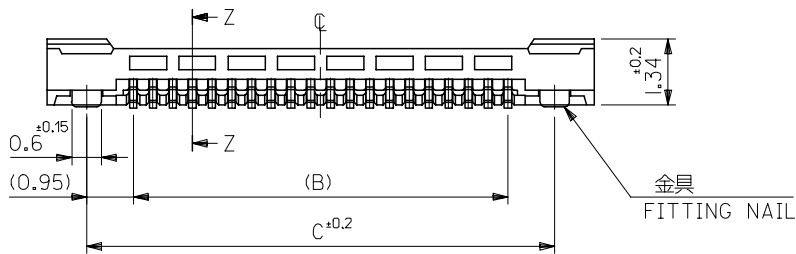
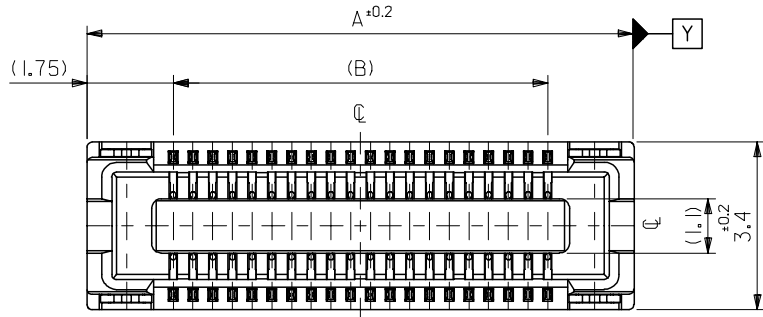
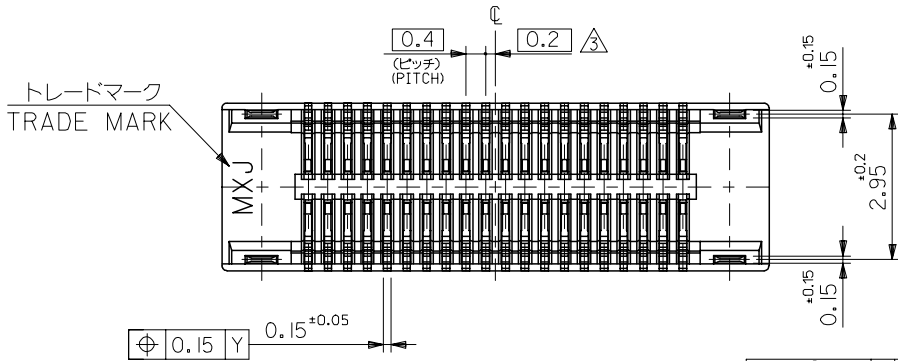


10 9 8 7 6 5 4 3 2 1



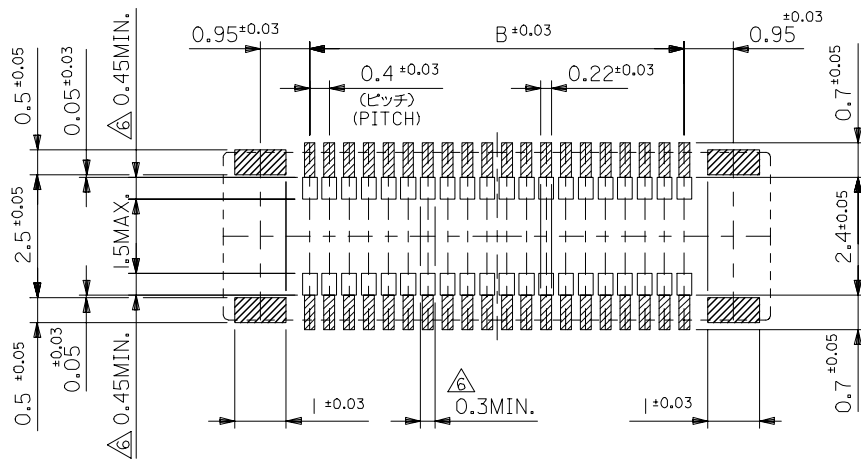
SECT Z-Z



無鉛  
LEAD FREE

|      |      |      |              |      |
|------|------|------|--------------|------|
| 25.5 | 23.6 | 27.1 | 51338-1203   | 120  |
| 21.5 | 19.6 | 23.1 | 51338-1003   | 100  |
| 17.5 | 15.6 | 19.1 | 51338-0803   | 80   |
| 15.5 | 13.6 | 17.1 | 51338-0703   | 70   |
| 13.5 | 11.6 | 15.1 | 51338-0603   | 60   |
| 11.5 | 9.6  | 13.1 | 51338-0503   | 50   |
| 9.5  | 7.6  | 11.1 | 51338-0403   | 40   |
| 7.5  | 5.6  | 9.1  | 51338-0303   | 30   |
| 5.9  | 4.0  | 7.5  | 51338-0223   | 22   |
| 5.5  | 3.6  | 7.1  | 51338-0203   | 20   |
| C    | B    | A    | MATERIAL No. | CKT. |

|   |                                       |            |                            |                              |   |                           |                        |  |
|---|---------------------------------------|------------|----------------------------|------------------------------|---|---------------------------|------------------------|--|
| REVISED<br>EC NO: J2005-12/13<br>DRAWN: SUMIYA 2004/10/25<br>CHKD: HIRATA 2004/10/26<br>APPR: HIRATA 2004/10/28 | GENERAL TOLERANCES (UNLESS SPECIFIED) |            | DIMENSION STYLE<br>MM ONLY |                              | SCALE<br>---  | DESIGN UNITS<br>METRIC    | THIRD ANGLE PROJECTION |  |
|   | 10 UNDER                              | ±---       | DRAWN BY<br>RTAKEUCH       | DATE<br>2002/11/01           | TITLE<br>0.4 B-TO-B REC ASSY<br>HGT=1.5 J-BEND TAIL |                           |                        |  |
|   | 10 OVER 30 UNDER                      | ±---       | CHECKED BY<br>TITO         | DATE<br>2002/11/01           | APPROVED BY<br>TYAMAGUC                             |                           |                        |  |
|   | 30 OVER                               | ±---       | APPROVED BY<br>TYAMAGUC    |                              | DATE<br>2002/11/01                                  | MATERIAL NO.<br>SEE CHART |                        |  |
| DRAFT WHERE APPLICABLE<br>MUST REMAIN<br>WITHIN DIMENSIONS  |                                       | SIZE<br>A3 |                            | DOCUMENT NO.<br>SD-51338-001 |   |                           | SHEET NO.<br>1 OF 2    |  |



参考基板レイアウト (マウント面)  
P.C.BOARD PATTERN DIMENSION. (REFERENCE)  
(MOUNTING AREA)

注記 NOTES:

1. 使用材料 MATERIAL  
ハウジング: 液晶ポリマー (LCP) ガラス充填 UL94V-0 (黒)  
HOUSING: LIQUID CRYSTAL POLYMER (GLASS FILLED)  
UL94V-0 (COLOR: BLACK)  
ターミナル: リン青銅 (t=0.15)  
TERMINAL: PHOSPHOR BRONZE (t=0.15)  
金具: リン青銅 (t=0.15)  
FITTING NAIL: PHOSPHOR BRONZE (t=0.15)
  2. メッキ仕様 PLATING  
ターミナル TERMINAL  
金メッキ 0.2マイクロメートル以上 (コンタクト部)  
GOLD 0.2MICROMETER MINIMUM (CONTACT AREA)  
金メッキ 0.4マイクロメートル以下 (テール部)  
GOLD 0.4MICROMETER MAXIMUM (TAIL AREA)  
下地メッキ: ニッケルメッキ 1.5マイクロメートル以上  
UNDER PLATING: NICKEL 1.5MICROMETER MINIMUM  
\*コンタクト部とテール部はニッケルメッキによって分断されている金メッキです。  
DIVIDE INTO PARTS THE GOLD PLATING OF THE CONTACT AND THE TAIL PART BY THE NICKEL PLATING.  
金具 FITTING NAIL  
鍍銅メッキ 1.0マイクロメートル以上  
TIN-COPPER PLATING 1.0MICROMETER MINIMUM  
下地メッキ: ニッケルメッキ 1.0マイクロメートル以上  
UNDER PLATING: NICKEL 1.0MICROMETER MINIMUM
- △ (全極数/2) = 偶数の場合に適用。  
APPLY FOR (CIRCUIT/2) = EVEN.
4. 嵌合相手: 55909シリーズ  
MATE WITH: 55909 SERIES.
  5. テール平坦度は、0.08以下  
テール及び金具の平坦度は、0.1以下  
TAIL COPLANARITY TO BE 0.08MAXIMUM  
TAIL AND FITTING NAIL COPLANARITY TO BE 0.1MAXIMUM
- △ 同一回路以外のパターン書込み禁止範囲を示す。  
NO PRINT CIRCUIT AREA OTHER THAN THE SAME CIRCUIT.

無鉛  
LEAD FREE

|  |                                       |            |  |                    |   |                        |                         |  |                              |
|--|---------------------------------------|------------|--|--------------------|---|------------------------|-------------------------|--|------------------------------|
| REVISED<br>EC NO: J2005-1213<br>DRAWN: SUMIYA 2004/10/25<br>CHKD: HIRATA 2004/10/26<br>APPR: HIRATA 2004/10/28 | GENERAL TOLERANCES (UNLESS SPECIFIED) |            | DIMENSION STYLE<br>MM ONLY   |                    | SCALE<br>---  | DESIGN UNITS<br>METRIC | 51338-***3<br>MODEL NO. |  |                              |
|  | 10 UNDER                              | ± ---      | DRAWN BY<br>RTAKEUCH   | DATE<br>2002/11/01 | TITLE<br>0.4 B-TO-B REC ASSY<br>HGT=1.5 J-BEND TAIL |                        |                         |  |                              |
|  | 10 OVER 30 UNDER                      | ± ---      | CHECKED BY<br>TITO   | DATE<br>2002/11/01 |   |                        |                         |  |                              |
|  | 30 OVER                               | ± ---      | APPROVED BY<br>TYAMAGUC  | DATE<br>2002/11/01 | MOLEX INCORPORATED                                  |                        |                         |  |                              |
|  | ANGULAR                               | ± --- °    | MATERIAL NO.   | SEE CHART          |   |                        |                         |  | DOCUMENT NO.<br>SD-51338-001 |
| DRAFT WHERE APPLICABLE<br>MUST REMAIN<br>WITHIN DIMENSIONS   |                                       | SIZE<br>A3 | THIS DRAWING CONTAINS INFORMATION THAT IS PROPRIETARY TO MOLEX<br>INCORPORATED AND SHOULD NOT BE USED WITHOUT WRITTEN PERMISSION |                    |   |                        |                         |  |                              |