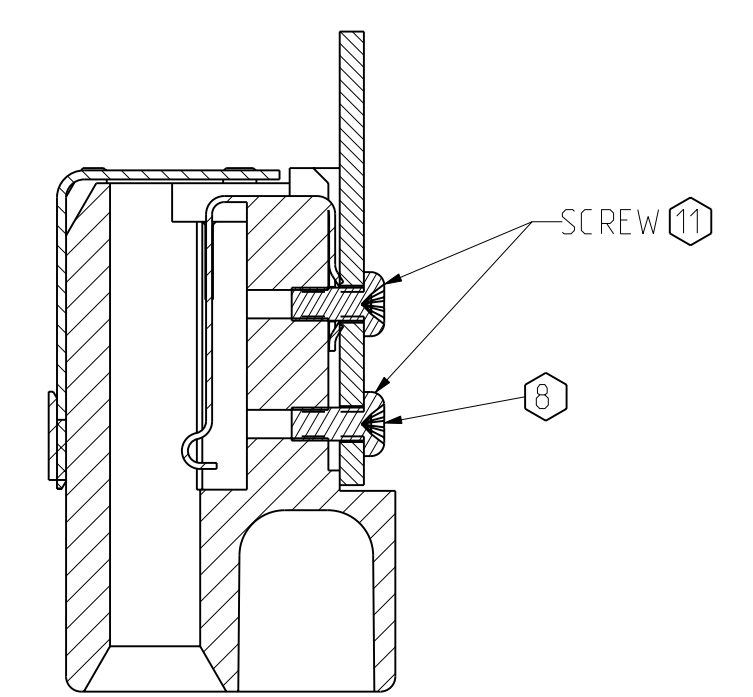
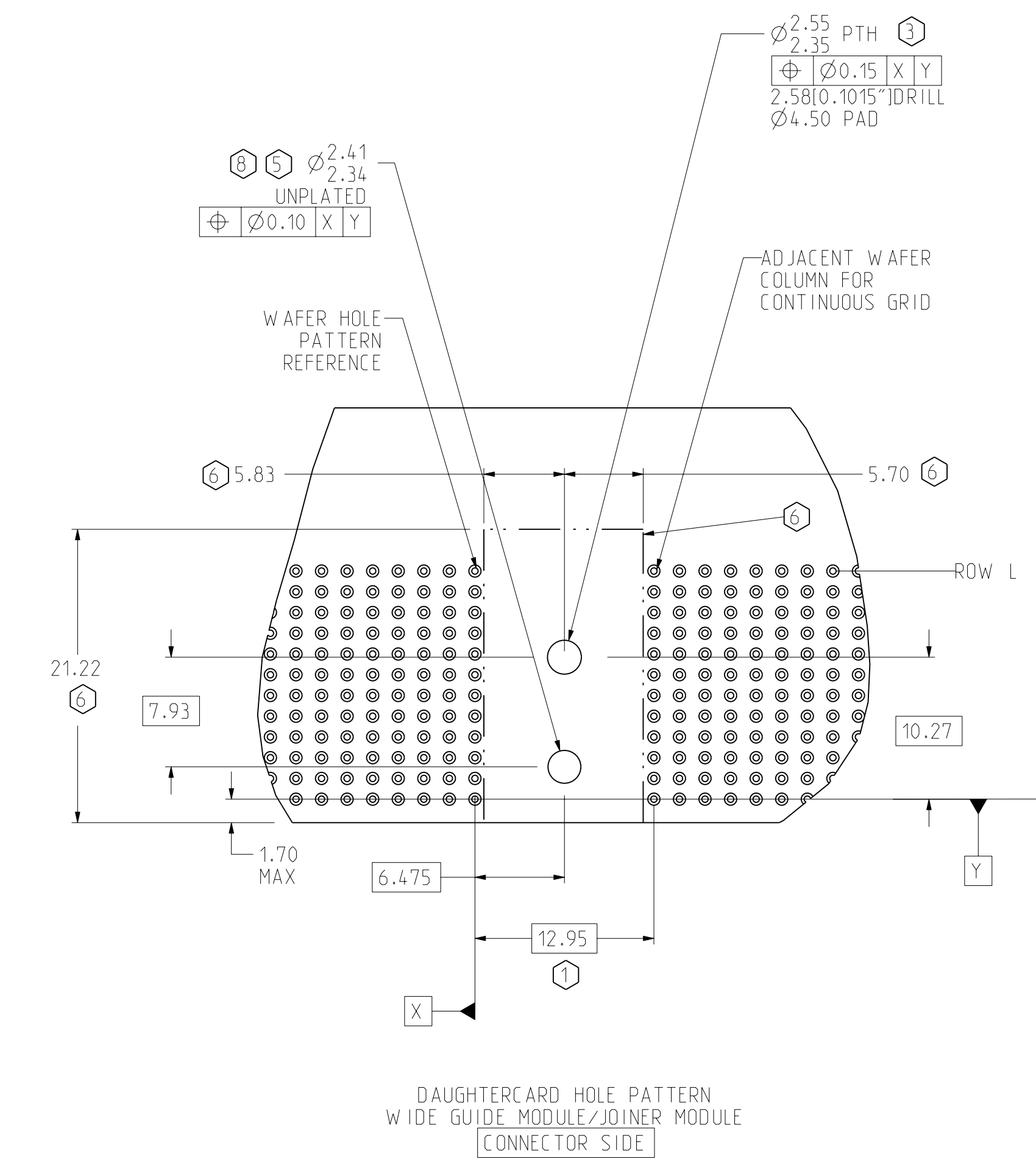
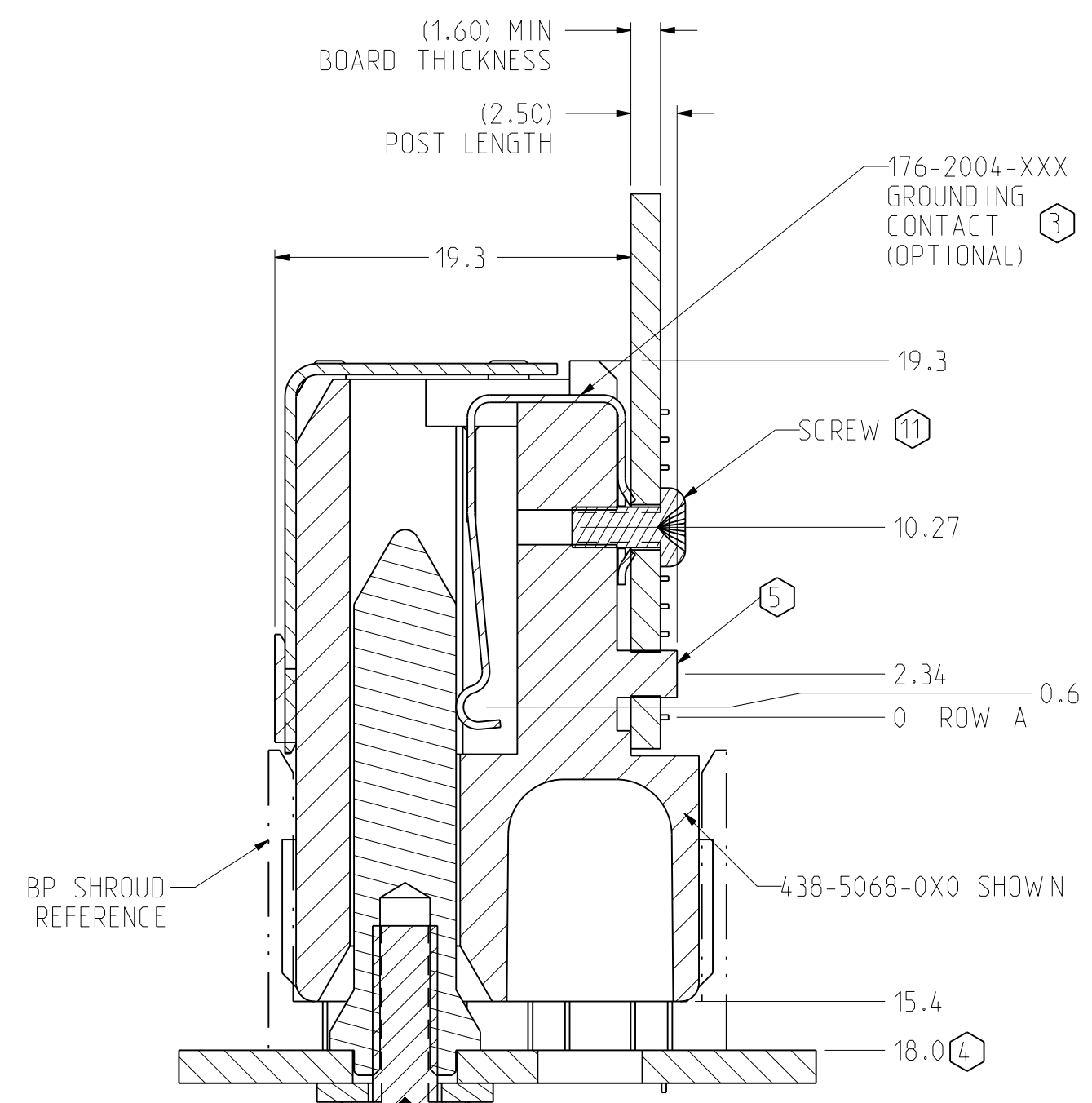
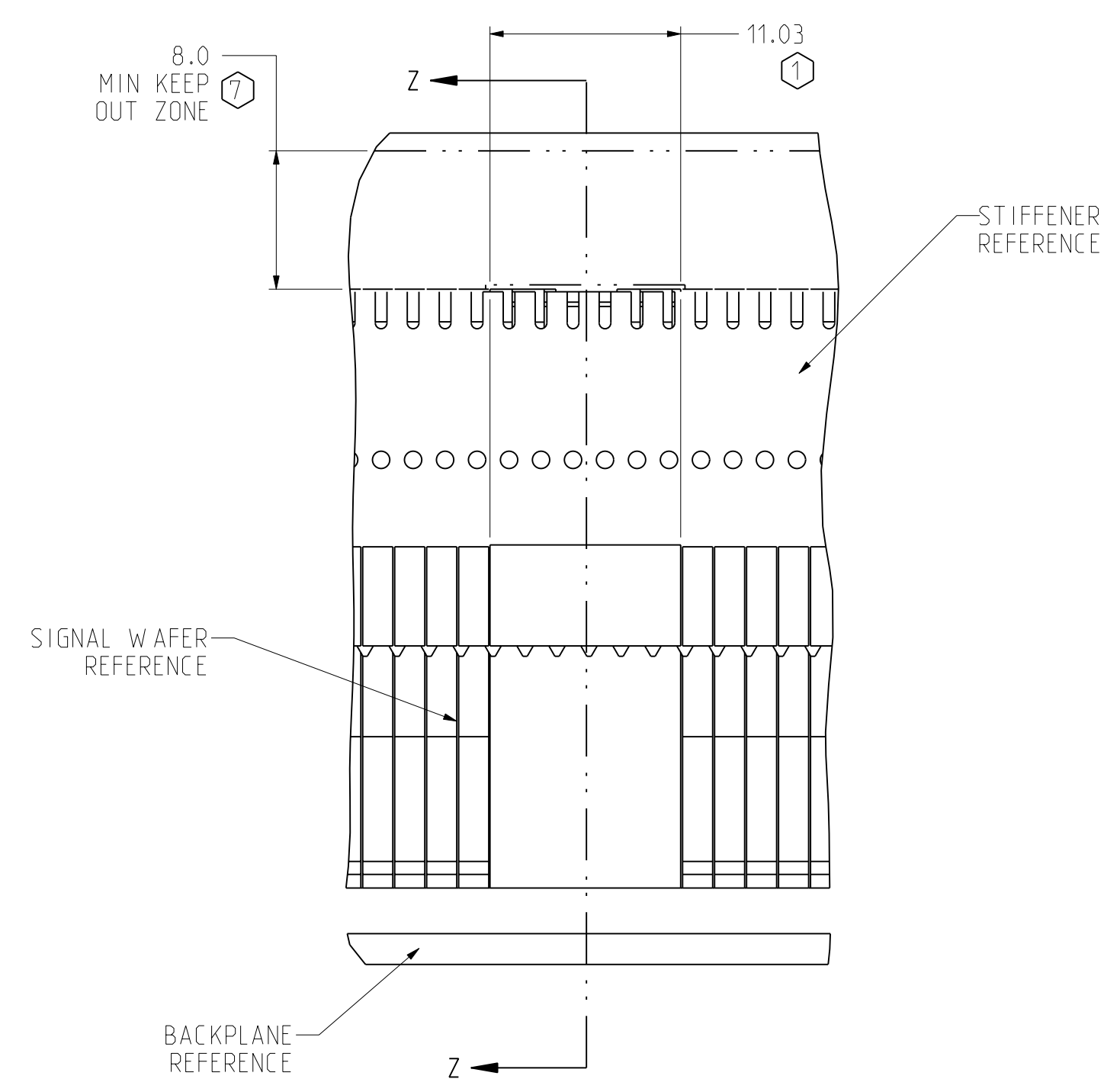
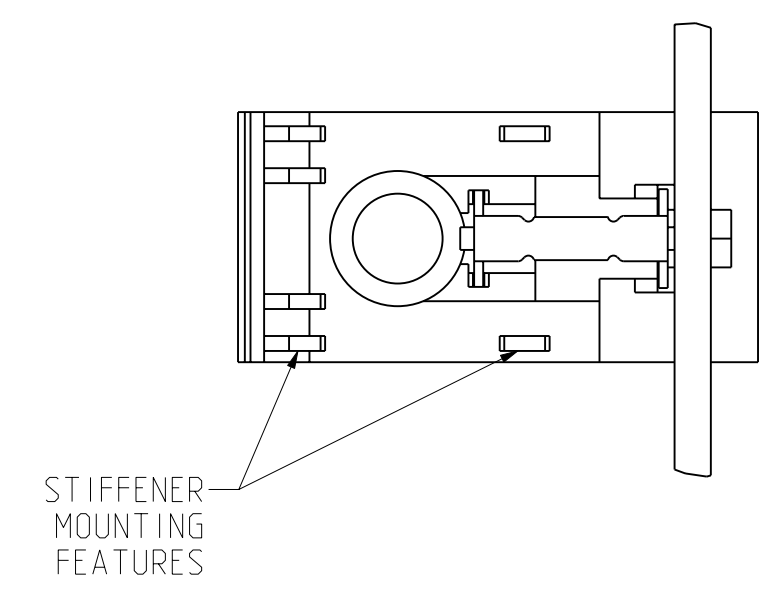
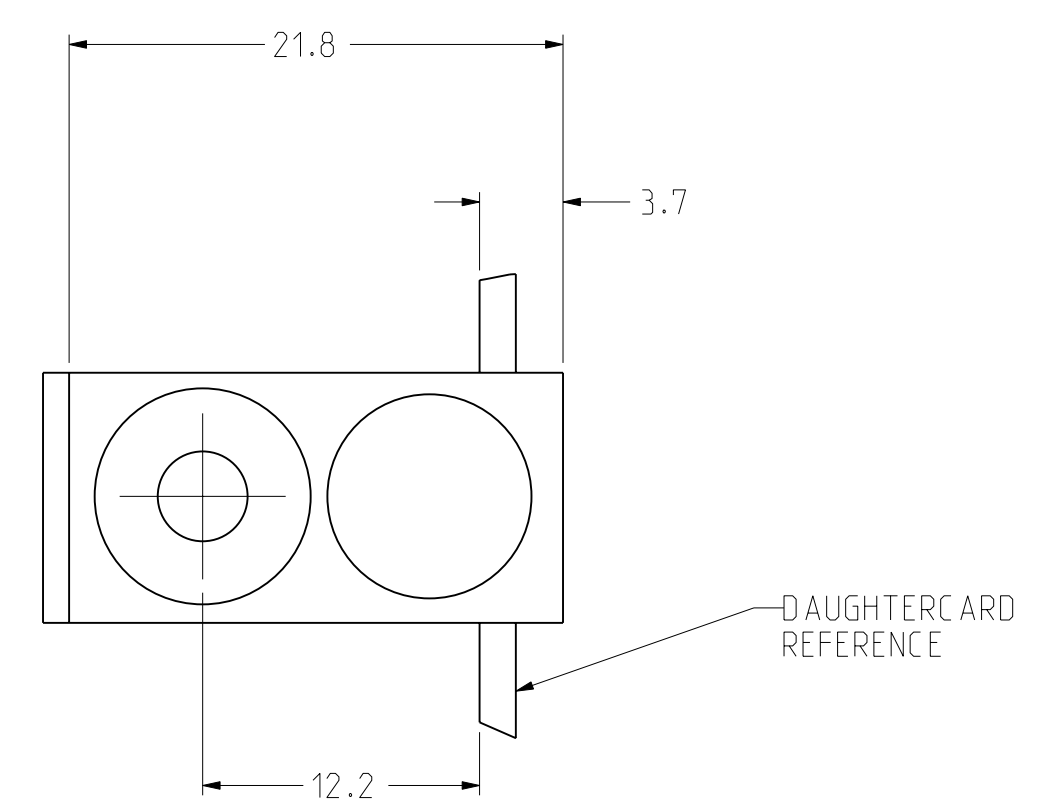


ZONE	REV	SCR NUMBER	DESCRIPTION	BY	DATE	APPROVED
ALL	-	DSMH-6BWK.V.VER01	NEW RELEASE	S.GAGNON	05/20/05	D.SMITH
	A	MLEE-6K9L68.VER01	REPLACED DRAWING FORMATS	R.CHIFFY	12/14/05	C.SAMMIS
	B	CSAS-6Y2TET.VER01	UPDATED TABLE 1	HCL-BS	02/13/07	K.LEBLANC
	C	CSAS-837LP3.VER01	ADDED DIECAST GUIDE PART NUMBERS AND NEW PART NUMBERS (-040) IN TABLE 1 FOR NEW PLATING CODES	HCL-MH	03/15/2010	C.SAMMIS

PART NUMBER	DESCRIPTION	PLATING
438-0068-070	PLASTIC WIDE GUIDE, W/ POST, W/O ESD GND CONTACT	N/A
438-5068-030	PLASTIC WIDE GUIDE, W/ POST, W/ ESD GND CONTACT	Ni SULFAMATE
438-5068-040	PLASTIC WIDE GUIDE, W/ POST, W/ ESD GND CONTACT	NANO Ni
438-0070-070	PLASTIC WIDE GUIDE/ JOINER MODULE, W/O POST, W/O ESD GND CONTACT	N/A
438-5070-030	PLASTIC WIDE GUIDE/ JOINER MODULE, W/O POST, W/ ESD GND CONTACT	Ni SULFAMATE
438-5070-040	PLASTIC WIDE GUIDE/ JOINER MODULE, W/O POST, W/ ESD GND CONTACT	NANO Ni
438-0077-540	DIECAST WIDE GUIDE, W/ POST, W/O ESD GND CONTACT	N/A
438-5077-030	DIECAST WIDE GUIDE, W/ POST, W/ ESD GND CONTACT	Ni SULFAMATE
438-5077-040	DIECAST WIDE GUIDE, W/ POST, W/ ESD GND CONTACT	NANO Ni
438-0079-540	DIECAST WIDE GUIDE/ JOINER MODULE, W/O POST, W/O ESD GND CONTACT	N/A
438-5079-030	DIECAST WIDE GUIDE/ JOINER MODULE, W/O POST, W/ ESD GND CONTACT	Ni SULFAMATE
438-5079-040	DIECAST WIDE GUIDE/ JOINER MODULE, W/O POST, W/ ESD GND CONTACT	NANO Ni



P/N 438-5070-0X0
SECTION Z-Z
SCALE 2/1



- (11) SCREW LENGTH AND PART NUMBER DEPENDENT ON PCB THICKNESS.
- (10) GROUND ROWS ARE ROWS C, F, I, AND L. ALL OTHER ROWS ARE SIGNAL ROWS.
- 9. SEE TB-2104 FOR BOARD WEIGHT LIMITATIONS.
- (8) THROUGH HOLE MAY ALSO BE USED FOR ADDITIONAL SCREW WITH WIDE GUIDE/JOINER MODULE WITHOUT POST.
- (7) FOR CONNECTOR REPAIRABILITY, USE KEEP OUT ZONE.
- (6) NO SURFACE TRACES IN KEEP OUT ZONE.
- (5) THROUGH HOLE REQUIRED FOR WIDE GUIDE MODULES WITH POST. WIDE GUIDES USED AS STIFFENER JOINER MODULES DO NOT HAVE A POST AND DO NOT REQUIRE THIS HOLE UNLESS THE ADDITIONAL SCREW IS USED.
- (4) NOMINAL DIMENSION FOR FULLY SEATED CONNECTOR.
- (3) PLATED THROUGH HOLE TO CONNECT TO CHASSIS FOR FIRST MATE GROUND OPTION THROUGH GUIDE PIN. SEE TB-2090 FOR ROUTING GUIDELINES. USE UNPLATED THROUGH HOLE FOR UNGROUNDED MODULES.
- (2) FOR MATING GUIDE PIN DETAIL & LOCATION, SEE DRAWING C-564-0470-500.
- (1) USE 11.1mm NOMINAL FOR DAUGHTERCARD LAYOUT.

NOTES:

INTERPRET PER ASME Y14.5M
CODE IDENT 31413

TOLERANCES	DESIGN	02/10/06	D.SMITH	Amphenol TCS A Division of Amphenol Corporation 200 Innovative Way, Nashua, NH 03062 603.879.3000	
0.0	±0.25	DRAWN	03/26/01	R.CHIFFY	TITLE
0.00	±0.13	CHK	04/28/01	A.ASTBURY	DAUGHTERCARD WIDE GUIDANCE ASSEMBLY
0.000	± -	APVD	05/20/05	D.SMITH	4 PAIR GDX
ANGLES	± -	PART NO.	SEE TABLE 1	REV	N/A
UNLESS OTHERWISE SPECIFIED DIMENSIONS ARE IN MM. DECIMAL MARKER IS A PERIOD.				DRAWING NO.	C-438-5068-500
CUSTOMER USE DRAWING				PROJ. TYPE	P1021-CU-WIDE-GUIDE
				PROJ. DRAWING	C-438-5068-500
SIZE	D	SCALE	1/1	SHEET	1 OF 1

C-438-5068-500

SH 1 REV C