

DASH NO	CABLES ACCOMMODATED	A DIM	B DIM	C FLATS	D FLATS	E DIA	ASSEMBLE PER
-7	TRC-50-2 TRC-75-2	1.135	.096	.438	.438	.500	TAI-189
-8	8227, BELDEN	1.716	.130	.625	.688	.750	TAI-103
-9	TWC-78-2 TWC-124-2		.096	.438			
-A9	BL782, TIMES BL982, TIMES BL1242, TIMES	1.135	△	△	.438	.500	TAI-102
-10	RG-22 754E, AT&T						TAI-103
-11	760A, AT&T						
-12	16PEVL, AT&T VI-AL, GENERAL	1.716	.130	.625	.688	.750	TAI-128
-13	TRF-59, TIMES						TAI-129
-13A	8232, BELDEN						TAI-165
-14	8233, BELDEN						TAI-129
-23	250-3884, MICRODOT						TAI-189
-24	202-3934, MICRODOT						TAI-102
-24A	9530A5117, RAYCHEM						TAI-189
-25	T-43M, GENERAL						TAI-102
-25A	5021H5331, RAYCHEM						
-26	7028A5518, RAYCHEM						TAI-189
-27	T19TPSJ2619EN, WOVEN 202-3927, MICRODOT 202-3942, MICRODOT						TAI-102
-29	TWC-78-1/TWC-124-1A	1.135	.096	.438	.438	.500	
-30	761A, AT&T 8441, BELDEN						TAI-102
-32	TRC-50-1						
-33	TRC-75-1						
-42	21-204, ESSEX 4463, CONSOLIDATED						TAI-189
-43	250-4044/250-4045 293-3930, MICRODOT						
-45	M27500-22TE2T14 1100-66F, STANDARD						TAI-102
-46	9860, BELDEN	1.716	.130	.625	.688	.750	TAI-103
-47	M17176-00002	1.135	.096	.438	.438	.500	TAI-102
-49	TWAC-78-1F2	1.716	.130	.625	.688	.750	TAI-103
-54	89207, BELDEN						TAI-102
-55	89272, BELDEN						
-56	GC875GCI, GRUMMAN						TAI-189
-57	GC875GBI, GRUMMAN						
-58	GC875TM24H, GRUMMAN	1.135	.096	.438	.438	.500	TAI-102
-59	GC875LNI, GRUMMAN						
-60	M17177, THERMATICS 380-10045, BOEING						TAI-189
-64	7528A5314, RAYCHEM						

MILITARY PART NO (PIN)	MILITARY CABLE PART NO	TROMPETER PART NO (REF ONLY)
M49142/03-0001	M17134-00001	M310-0002-7
M49142/03-0101	M17134-00001	M310-0002Y-7
M49142/03-0201	M17134-00001	M310-0002S-7
M49142/03-0002	M17134-00002	M310-0002-7
M49142/03-0102	M17134-00002	M310-0002Y-7
M49142/03-0202	M17134-00002	M310-0002S-7
M49142/03-0007	M17145-RG308	M310-0002-9
M49142/03-0107	M17145-RG308	M310-0002Y-9
M49142/03-0207	M17145-RG308	M310-0002S-9
M49142/03-0008	M17176-00002	M310-0002-47
M49142/03-0108	M17176-00002	M310-0002Y-47
M49142/03-0208	M17176-00002	M310-0002S-47
M49142/03-0009	M17177-00002	M310-0002-60
M49142/03-0109	M17177-00002	M310-0002Y-60
M49142/03-0209	M17177-00002	M310-0002S-60

KEYING LETTER	F DEGREES	G DEGREES	H DEGREES
NONE	120°	120°	120°
T	100°	150°	110°
U	120°	130°	110°
V	115°	130°	115°
W	125°	110°	125°
X	130°	100°	130°
Y	110°	140°	110°
Z	100°	160°	100°
S	135°	135°	90°

DATA CONTAINED IN THIS DOCUMENT IS PROPRIETARY OF TROMPETER ELECTRONICS INC. AND SHALL NOT BE DISCLOSED, COPIED OR USED FOR PROCUREMENT OR MANUFACTURE WITHOUT EXPRESS WRITTEN PERMISSION.

REV	DESCRIPTION	DATE	APPROVED
D	REVISED PER ECO 15371	3/25/04	WJ

DASH NO	ENTRY DIA	DASH NO	ENTRY DIA
-7	.274	-30	.235
-8	.345	-32	.191
-9	.285	-33	.217
-10	.455	-42	.300
-11	.345	-43	.200
-12	.485	-45	.183
-13	.362	-46	.475
-13A	.352	-47	.164
-14	.510	-49	.132
-23	.183	-54	.323
-24	.191	-55	.250
-24A	.200	-56	.191
-25	.285	-57	.191
-25A	.285	-58	.198
-26	.183	-59	.198
-27	.145	-60	.217
-29	.191	-64	.183

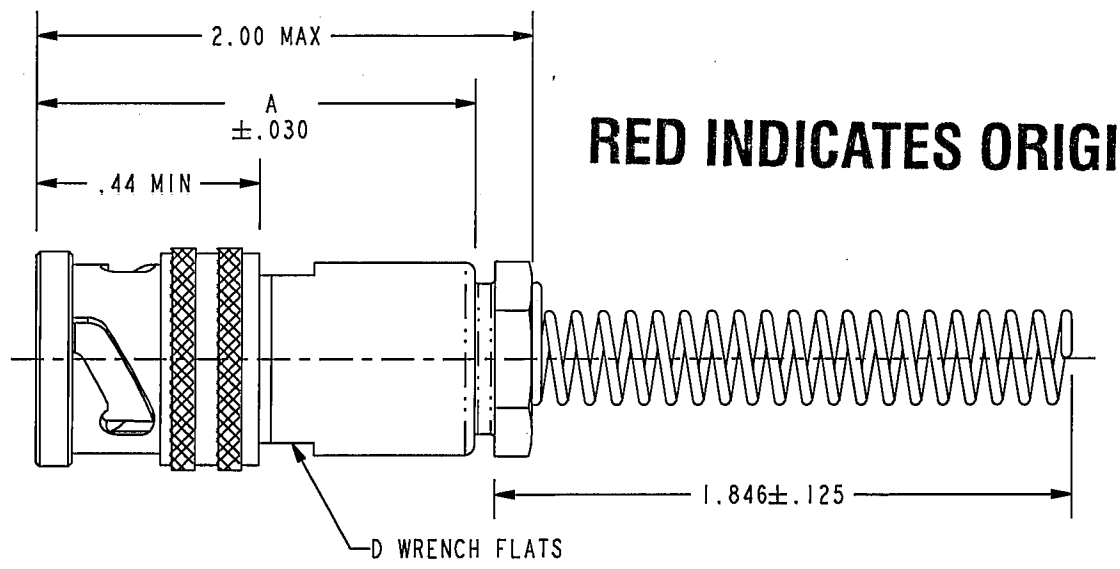
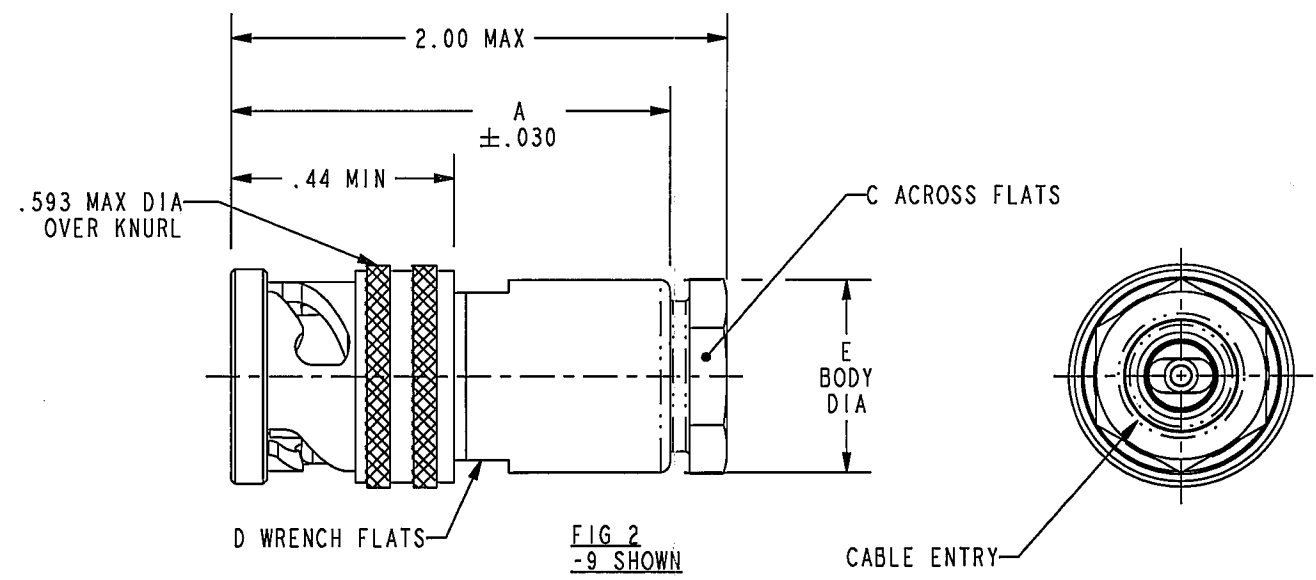
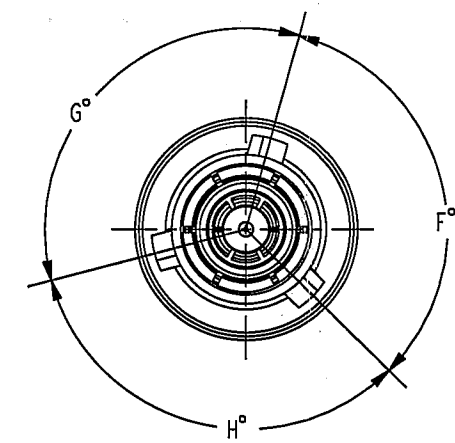
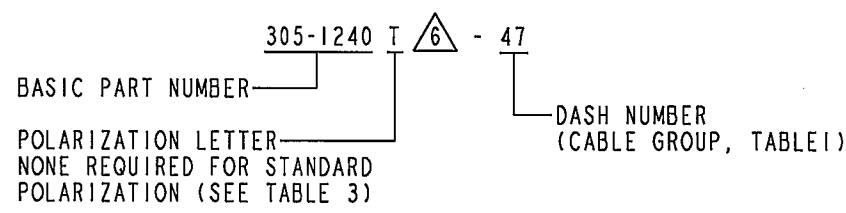


FIG 1
-9 SHOWN



△ IF BEND RELIEF SPRING IS REQUIRED (SEE FIG 1) ADD SUFFIX "BR" TO PART NO (NOT AVAILABLE WITH CABLE GROUPS -8, -10, -11, -12, -13, -13A, -14, -46, & -54)

5. EXAMPLE OF COMPLETE PART NUMBER:



△ CLAMP NUT OMITTED

3. CONCENTRIC TWINAX/TRIAX 3-LUG TRB CABLE PLUG

2. FINISH: TFS-1A (NICKEL) △

1. ALL DIM ARE IN INCHES

NOTES: UNLESS OTHERWISE SPECIFIED.

△ CHECK WITH CABLE MANUFACTURER FOR OUTGASSING PROPERTIES OF THE SELECTED CABLE

8. ALL MATERIALS MEET THE OUTGASSING REQUIRMENTS OF NASA SPECIFICATION SP-R-0022A AND TEI VACUUM READY SPECIFICATION TT-09

△ WHEN CONNECTOR IS SUPPLIED TO MILITARY PART NO. (SEE TABLE 2):

- a) ALL PARTS NORMALLY PLATED TFS-1A OR TFS-1U (NICKEL) ARE TO BE PLATED TFS-1M (SILVER)
- b) MARK PART WITH MILITARY PIN (SEE TABLE 2) AND "14949"
- c) QUALITY CONFORMANCE INSPECTION SHALL BE PER MIL-C-49142 SECTION 4.5)

MODEL NO	DASH NO/CABLE GROUP																
PL75 (TWINAX)	-8	-9	-A9	-10	-11	-12	-24	-25	-27	-29	-30	-45	-46	-47	-49	-54	-55
PL75 (TRIAX)	-7	-13	-13A	-14	-23	-24A	-25A	-26	-32	-33	-42	-43	-56	-57	-59	-60	-64
PL75 (QUADRAX)	-58																

DRN	L.M.	3-22-04
CHK	WJ	3-22-04
QUALITY	WJ	3/25/04
MANUF	WJ	3/25/04
APPROVED	WJ	3/25/04
PROJ FILE NO	305-1240	

TROMPETER
ELECTRONICS, INC.

TITLE: PL75/T/U/V/W/X/Y/Z/S/BR VACUUM READY

SIZE: B CAGE CODE: 14949 DRAWING NO: 305-1240 REV: D

SCALE: 2/1 DATE: 7-31-98 SHEET: 1C

SEE SHT 3
NEXT ASSY

DO NOT SCALE DWG