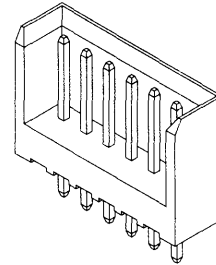


**molex**® **2.50mm (.098") Pitch Board-to-Board Backwall Header**

**5245-NA Single Row**



**B**  
2.00 to 2.50mm (.079 to .098") Pitch

**FEATURES AND SPECIFICATIONS**

**Features and Benefits**

- Sizes 3 to 15 circuits

**Reference Information**

Packaging: Bulk  
 UL File No.: E29179  
 CSA File No.: LR19980  
 Mates With: 5244-NAHPB  
 Designed In: Millimeters

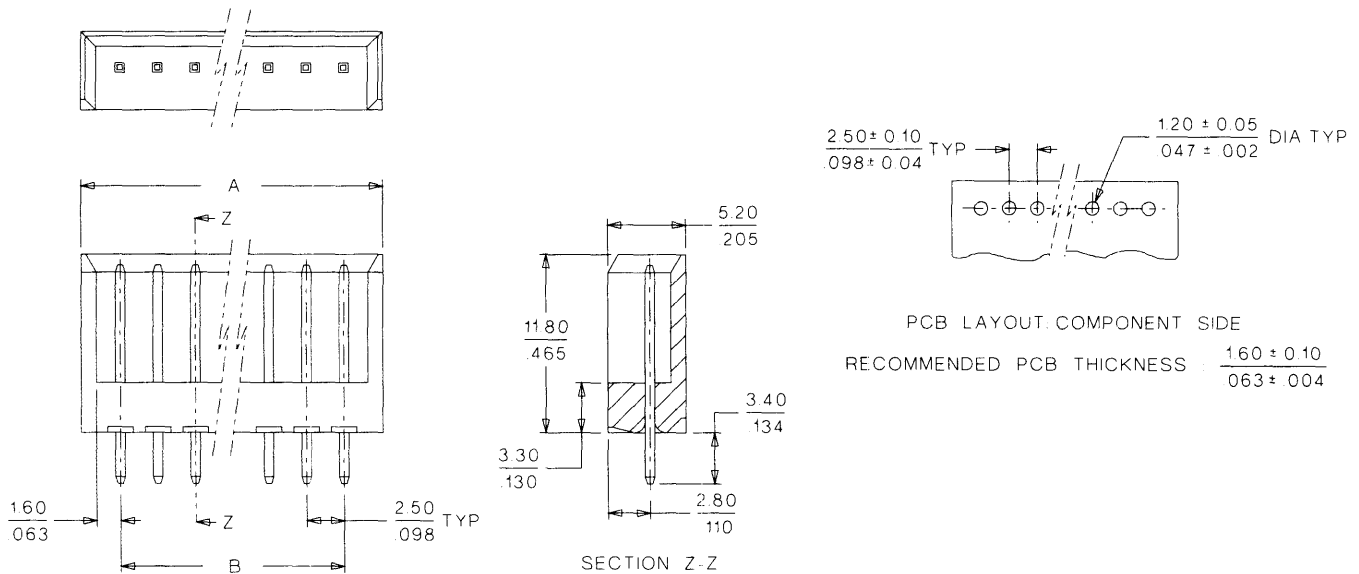
**Electrical**

Voltage: 250V  
 Current: 3.0A  
 Contact Resistance: 20mΩ max.  
 Dielectric Withstanding Voltage: 1000V AC/1 min.  
 Insulation Resistance: 1000 MΩ min.

**Physical**

Housing: 6/6 nylon, UL 94V-0  
 Contact: Brass  
 Plating: Tin  
 Operating Temperature: -40 to +105°C

**CATALOG DRAWING (FOR REFERENCE ONLY)**



**ORDERING INFORMATION AND DIMENSIONS**

Circuits	Order No.	Dimension	
		A	B
3	22-03-5034	10.20 (.401)	5.00 (.196)
4	22-03-5044	12.70 (.499)	7.50 (.295)
5	22-03-5054	15.20 (.598)	10.00 (.393)
6	22-03-5064	17.70 (.696)	12.50 (.492)
7	22-03-5074	20.20 (.795)	15.00 (.590)
8	22-03-5084	22.70 (.893)	17.50 (.688)
9	22-03-5094	25.20 (.992)	20.00 (.787)
10	22-03-5104	27.70 (1.090)	22.50 (.885)
11	22-03-5114	30.20 (1.188)	25.00 (.984)
12	22-03-5124	32.70 (1.287)	27.50 (1.082)
13	22-03-5134	35.20 (1.385)	30.00 (1.181)
14	22-03-5144	37.70 (1.484)	32.50 (1.279)
15	22-03-5154	40.20 (1.582)	35.00 (1.377)