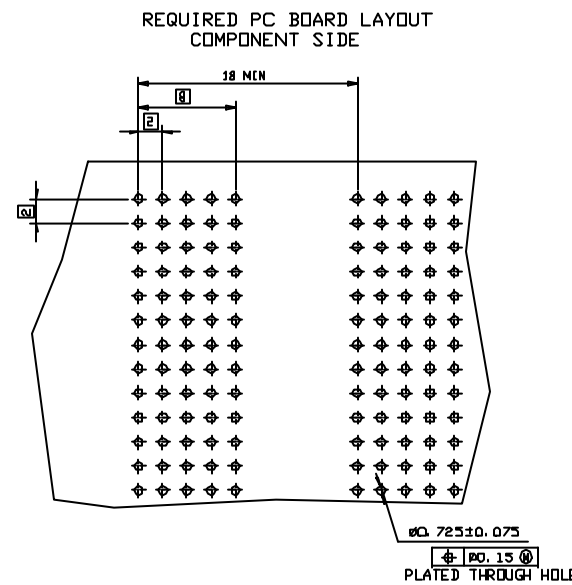
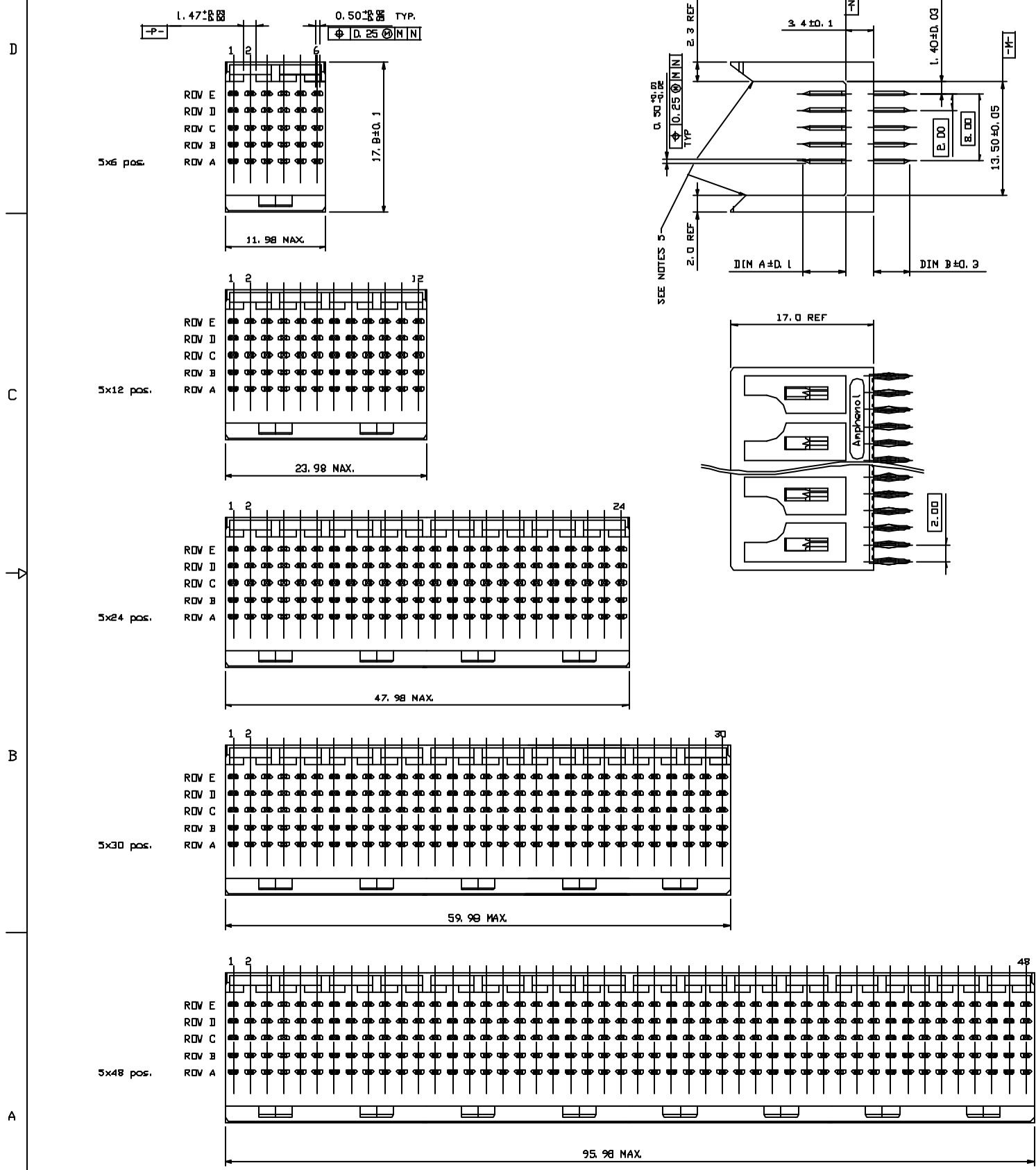


This document is the property of Amphenol Corporation and is delivered on the express condition that it is not to be disclosed, reproduced or used, in whole or in part, for manufacture or sale by anyone other than Amphenol Corporation without its prior consent. It is not to be used for any information in this document.

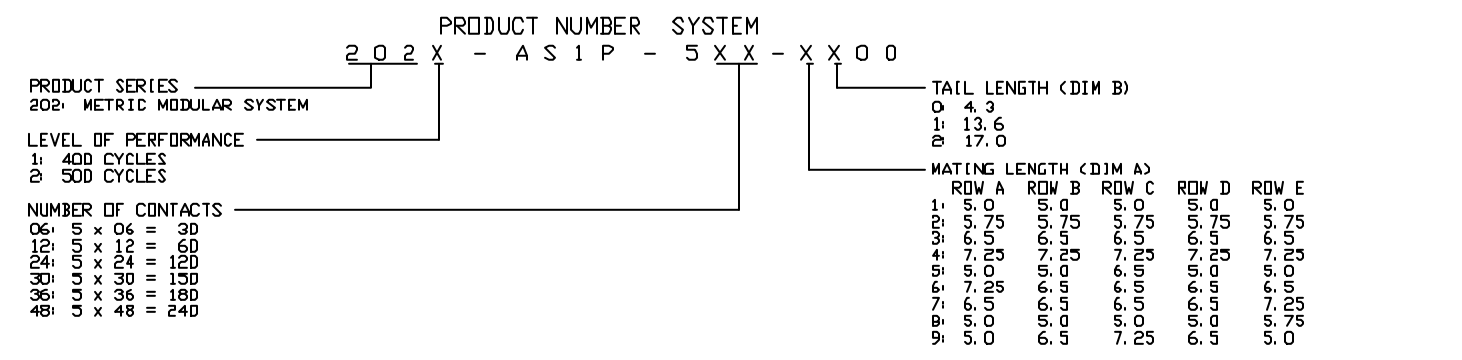
REVISIONS				
SYM	ECN	DESCRIPTION	DATE	APPROVED
C	HK2010	RELEASE FOR CUSTOMER	7/16/01	IP
D	HK2066	ADDING NEW P/N: 5x30	9/28/01	IP

NOTES:

- HOUSING MATERIAL: LIQUID CRYSTAL POLYMER, UL 94V-0; COLOUR: NATURAL;
- CONTACT MATERIAL: PHOSPHOR BRONZE;
- CONTACT FINISH: 3.1 1.27um MIN. NICKEL UNDER PLATING OVER ALL; 3.2 0.8um MIN. GOLD PLATING ON MATING AREA FOR 400 CYCLES; 3.3 1.27um MIN. GOLD PLATING ON MATING AREA FOR 500 CYCLES;
- PART MARKING: PART NUMBER & DATE CODE;
- THE DIMENSIONS OF INTERNAL WIDTH 13.50±0.05 IS AT THE LOWER SIDE, THE WARPAGE OF THE WALL IS ALLOWED TO BE INWARD 0.15mm MAX. PER SIDE AND OUTWARD 0.05mm MAX. PER SIDE;



PRESS-FIT HOLES	DIMENSIONS
HOLE DIAMETER	
AFTER PLATING	0.65-0.80
DRILLED PLATING	0.81-0.86 (0.85 DRILL)
COPPER PLATING	0.025MIN
TIN PLATING	0.005-0.015



CUSTOMER DRAWING

UNLESS OTHERWISE SPECIFIED TOLERANCES U.S. METRIC .X +/- 0.20 .XX +/- 0.10 .XXX +/- FRACTIONS +/- ANGLES +/- 1°	APPROVAL	DATE	Amphenol Amphenol East Asia Limited
	DRAWN Charles Yang	9/28/01	
FOR MATERIALS AND FINISHES SEE NOTES	CHECKED Michael JP	9/28/01	TITLE CUSTOMER DRAWING for 2mm FB SIGNAL 5 ROW MALE STRAIGHT PRESS FIT WIDE BODY
REMOVE SHARP EDGES	CHECKED		
DIMENSIONS U.S. METRIC (METRIC) (MM)	ANGLE OF PROJECTION	DRAWING FILE: DRAWING: 2MMFB/202X-AS1P-5XX-XX00	
		SIZE A3	REV. D
		SCALE 2:1	SHEET 1 OF 1