

MX 50 Header .100" x .100" (2,54 x 2,54 mm)



B

40501 Series Fully Shrouded Dual Row Header Versions "A", "B" and "C"

- Optional insertable polarization or molded-in (MIL-C-83503-style)
- Polarization slot provided to accommodate connector with optional center polarization
- Two lengths of printed circuit board solder tails available
- No. 1 circuit identification molded-in
- Latches can be easily snapped in by hand
- Circuit sizes 10, 14, 16, 20, 24, 26, 30, 34, 36, 40, 50, 60 and 64. Contact factory for other sizes.
- Duplex plated
- Minimal latch/eject lever movement saves board space. Can be mounted side-by-side
- Pins: .025" (0,64mm) square mating end; .025"/.030" round p.c. tail

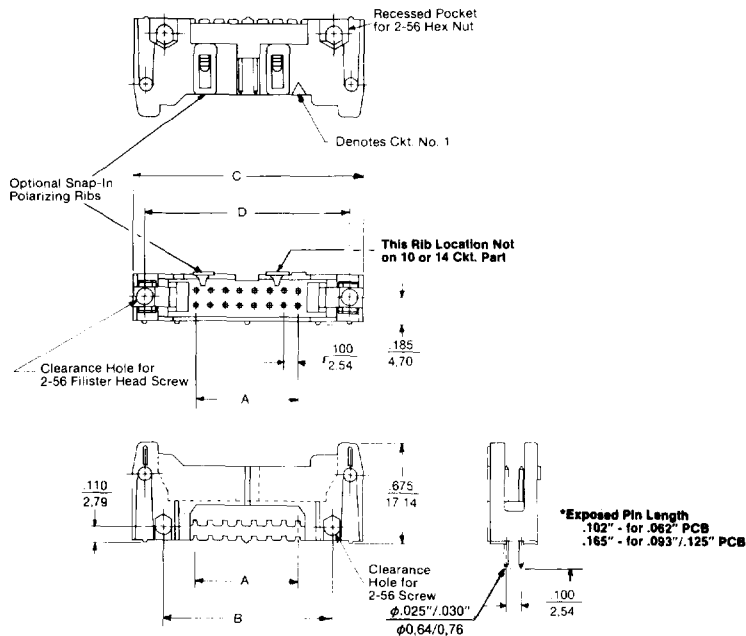


40501 Series

"A" Version No Latch/Eject Lever

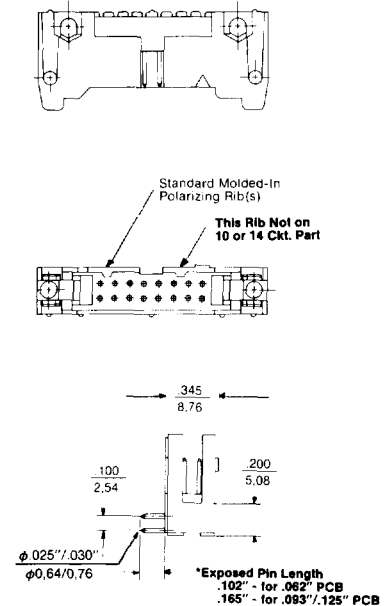
- Available with straight or right angle pins

With Optional Insertable Polarization

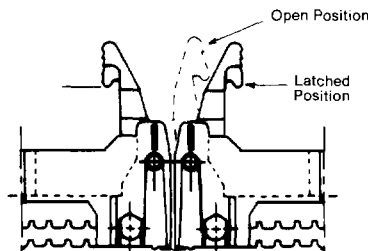


Straight Pin Version

With Standard Molded-In Polarizing Ribs (MIL-C-83503 Style)



Right Angle Pin Version



Unique latch design allows end-to-end stacking.
Latch movement does not extend beyond edge of connector.

MX 50 Header .100" x .100" (2,54 mm x 2,54 mm)

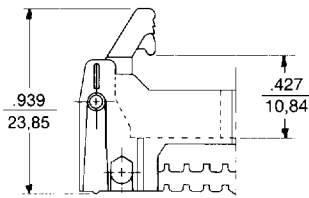


B

40501 Series Fully Shrouded Dual Row Header

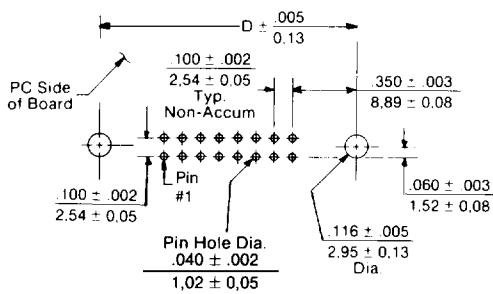
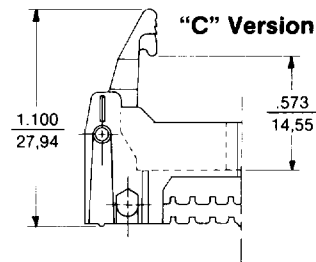
"B" Version with Short Latch/Eject Lever, No Strain Relief

- Available with straight or right angle pins
- Mates with Molex 40312 Series connectors "E" and "F" versions

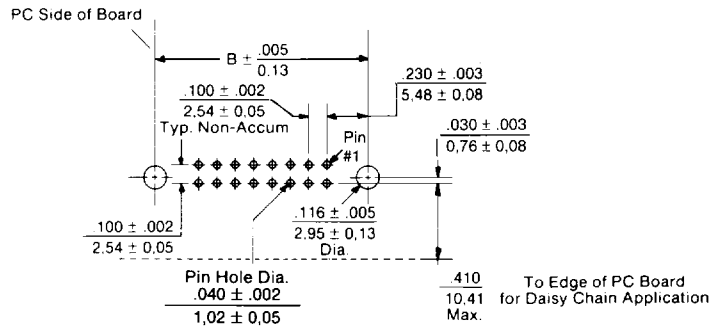


"C" Version with Long Latch/Eject Levers; For Use with Strain Relief

- Available with straight or right angle pins
- Mates with Molex 40312 Series connectors "G" and "H" versions, and 70450 Series "D" & "E" versions



Recommended PC Board Pattern Straight Version



Recommended PC Board Pattern Right Angle Version

Dimensions "A", "B", & "C" Versions

Circuits	Dim. A	Dim. B	Dim. C	Dim. D	Circuits	Dim. A	Dim. B	Dim. C	Dim. D
10	.400 ± .007 10,16 ± 0,18	.860 ± .008 21,84 ± 0,20	1.260 ± .009 32,00 ± 0,23	1.100 ± .009 27,94 ± 0,23	34	1.600 ± .010 40,64 ± 0,25	2.060 ± .011 52,32 ± 0,28	2.460 ± .012 62,48 ± 0,30	2.300 ± .012 58,42 ± 0,30
14	.600 ± .008 15,24 ± 0,20	1.060 ± .009 26,92 ± 0,23	1.460 ± .009 37,08 ± 0,23	1.300 ± .009 33,02 ± 0,23	36	1.700 ± .011 43,18 ± 0,28	2.160 ± .011 54,86 ± 0,28	2.560 ± .012 65,02 ± 0,30	2.400 ± .012 60,96 ± 0,30
16	.700 ± .008 17,78 ± 0,20	1.160 ± .009 29,46 ± 0,23	1.560 ± .010 39,62 ± 0,25	1.400 ± .009 35,56 ± 0,23	40	1.900 ± .011 48,26 ± 0,28	2.360 ± .012 59,94 ± 0,30	2.760 ± .012 70,10 ± 0,30	2.600 ± .012 66,04 ± 0,30
20	.900 ± .009 22,86 ± 0,23	1.360 ± .009 34,54 ± 0,23	1.760 ± .010 44,70 ± 0,25	1.600 ± .010 40,64 ± 0,25	50	2.400 ± .012 60,96 ± 0,30	2.860 ± .012 72,64 ± 0,30	3.260 ± .014 82,80 ± 0,36	3.100 ± .014 78,74 ± 0,36
24	1.100 ± .009 27,94 ± 0,23	1.560 ± .010 39,62 ± 0,25	1.960 ± .011 49,78 ± 0,28	1.800 ± .010 45,72 ± 0,25	60	2.900 ± .012 73,66 ± 0,30	3.360 ± .014 85,34 ± 0,36	3.760 ± .014 95,50 ± 0,36	3.600 ± .014 91,44 ± 0,36
26	1.200 ± .009 30,48 ± 0,23	1.660 ± .010 42,16 ± 0,25	2.060 ± .011 52,32 ± 0,28	1.900 ± .011 48,26 ± 0,28	64	3.100 ± .013 78,74 ± 0,33	3.560 ± .015 90,42 ± 0,38	3.960 ± .015 100,58 ± 0,38	3.800 ± .015 96,52 ± 0,38
30	1.400 ± .010 25,56 ± 0,25	1.860 ± .010 47,24 ± 0,25	2.260 ± .011 57,40 ± 0,28	2.100 ± .011 53,34 ± 0,28					

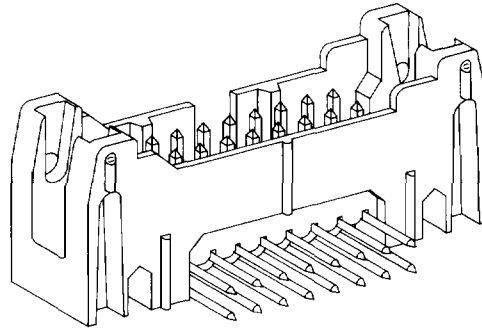
MX 50 Header



40501 Series

Molded-in MIL-C-83503 Style Polarization

B



Ordering Information

"A" Version - Without Latch/Eject Levers, Mates with 40312 with or without Strain Relief

STRAIGHT TAIL				RIGHT ANGLE TAIL			
Eng. No./Description	15 Microinches Min. Selective Gold Order No.	30 Microinches Min. Selective Gold Order No.	150 Microinches Min. Overall Tin/Lead Order No.	Eng. No./Description	15 Microinches Min. Selective Gold Order No.	30 Microinches Min. Selective Gold Order No.	150 Microinches Min. Overall Tin/Lead Order No.
40501A Solder Tail For .062" (1,57mm) PC Board	• 10-86-1XX1	• 10-86-1XX4	• 10-92-1XX1	40504A Solder Tail For .062" (1,57mm) PC Board	• 10-87-1XX1	• 10-87-1XX4	• 10-93-1XX1
40502A Solder Tail For .093"-.125" (2,36mm-3,17mm) PC Board	• 10-86-2XX1	• 10-86-2XX4	• 10-92-2XX1	40505A Solder Tail For .093"-.125" (2,36mm-3,17mm) PC Board	• 10-87-2XX1	• 10-87-2XX4	• 10-93-2XX1

"B" Version - With Short Latch/Eject Levers, Mates with 40312 without Strain Relief Version E and F

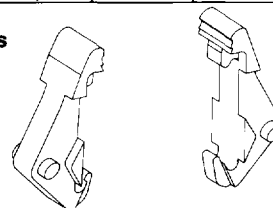
STRAIGHT TAIL				RIGHT ANGLE TAIL			
Eng. No./Description	15 Microinches Min. Selective Gold Order No.	30 Microinches Min. Selective Gold Order No.	150 Microinches Min. Overall Tin/Lead Order No.	Eng. No./Description	15 Microinches Min. Selective Gold Order No.	30 Microinches Min. Selective Gold Order No.	150 Microinches Min. Overall Tin/Lead Order No.
40501B Solder Tail For .062" (1,57mm) PC Board	• 10-86-1XX2	• 10-86-1XX5	• 10-92-1XX2	40504B Solder Tail For .062" (1,57mm) PC Board	• 10-87-1XX2	• 10-87-1XX5	• 10-93-1XX2
40502B Solder Tail For .093"-.125" (2,36mm-3,17mm) PC Board	• 10-86-2XX2	• 10-86-2XX5	• 10-92-2XX2	40505B Solder Tail For .093"-.125" (2,36mm-3,17mm) PC Board	• 10-87-2XX2	• 10-87-2XX5	• 10-93-2XX2

"C" Version - With Long Latch/Eject Levers, Mates with 40312 with Strain Relief Versions G and H

STRAIGHT TAIL				RIGHT ANGLE TAIL			
Eng. No./Description	15 Microinches Min. Selective Gold Order No.	30 Microinches Min. Selective Gold Order No.	150 Microinches Min. Overall Tin/Lead Order No.	Eng. No./Description	15 Microinches Min. Selective Gold Order No.	30 Microinches Min. Selective Gold Order No.	150 Microinches Min. Overall Tin/Lead Order No.
40501C Solder Tail For .062" (1,57mm) PC Board	• 10-86-1XX3	• 10-86-1XX6	• 10-92-1XX3	40504C Solder Tail For .062" (1,57mm) PC Board	• 10-87-1XX3	• 10-87-1XX6	• 10-93-1XX3
40502C Solder Tail For .093"-.125" (2,36mm-3,17mm) PC Board	• 10-86-2XX3	• 10-86-2XX6	• 10-92-2XX3	40505C Solder Tail For .093"-.125" (2,36mm-3,17mm) PC Board	• 10-87-2XX3	• 10-87-2XX6	• 10-93-2XX3

Latch/Eject Levers (Loose) - Assembles to "A" Version Series Headers

Eng. No.	Order No.	Description
71679	71679-1000	Use with mating with 40312 Connector without Strain Relief - Versions E & F
40315-02	•15-25-0106	Use with mating with 40312 Connector with Strain Relief - Versions G & H



• U.S. Standard Product, available through Molex franchised distributors.

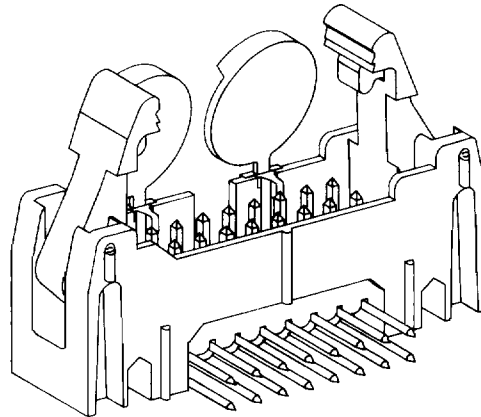
MX 50 Header



40501 Series

With Optional Insertable MIL-C-83503 Type Polarization

B



Ordering Information

"A" Version - Without Latch/Eject Levers, Mates with 40312 with or without Strain Relief

STRAIGHT TAIL				RIGHT ANGLE TAIL			
Eng. No./Description	15 Microinches Min. Selective Gold Order No.	30 Microinches Min. Selective Gold Order No.	150 Microinches Min. Overall Tin/Lead Order No.	Eng. No./Description	15 Microinches Min. Selective Gold Order No.	30 Microinches Min. Selective Gold Order No.	150 Microinches Min. Overall Tin/Lead Order No.
40507A Solder Tail For .062" (1,57mm) PC Board	• 10-86-4XX1	• 10-86-4XX4	• 10-92-4XX1	40510A Solder Tail For .062" (1,57mm) PC Board	• 10-87-4XX1	• 10-87-4XX4	• 10-93-4XX1
40508A Solder Tail For .093"-.125" (2,36mm-3,17mm) PC Board	• 10-86-5XX1	• 10-86-5XX4	• 10-92-5XX1	40511A Solder Tail For .093"-.125" (2,36mm-3,17mm) PC Board	• 10-87-5XX1	• 10-87-5XX4	• 10-93-5XX2

"B" Version - With Short Latch/Eject Levers, Mates with 40312 without Strain Relief Versions E and F

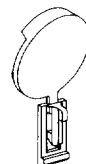
STRAIGHT TAIL				RIGHT ANGLE TAIL			
Eng. No./Description	15 Microinches Min. Selective Gold Order No.	30 Microinches Min. Selective Gold Order No.	150 Microinches Min. Overall Tin/Lead Order No.	Eng. No./Description	15 Microinches Min. Selective Gold Order No.	30 Microinches Min. Selective Gold Order No.	150 Microinches Min. Overall Tin/Lead Order No.
40507B Solder Tail For .062" (1,57mm) PC Board	• 10-86-4XX2	• 10-86-4XX5	• 10-92-4XX2	40510B Solder Tail For .062" (1,57mm) PC Board	• 10-87-4XX2	• 10-87-4XX5	• 10-93-4XX2
40508B Solder Tail For .093"-.125" (2,36mm-3,17mm) PC Board	• 10-86-5XX2	• 10-86-5XX5	• 10-92-5XX2	40511B Solder Tail For .093"-.125" (2,36mm-3,17mm) PC Board	• 10-87-5XX2	• 10-87-5XX5	• 10-93-5XX2

"C" Version - With Long Latch/Eject Levers, Mates with 40312 with Strain Relief Versions G and H

STRAIGHT TAIL				RIGHT ANGLE TAIL			
Eng. No./Description	15 Microinches Min. Selective Gold Order No.	30 Microinches Min. Selective Gold Order No.	150 Microinches Min. Overall Tin/Lead Order No.	Eng. No./Description	15 Microinches Min. Selective Gold Order No.	30 Microinches Min. Selective Gold Order No.	150 Microinches Min. Overall Tin/Lead Order No.
40507C Solder Tail For .062" (1,57mm) PC Board	• 10-86-4XX3	• 10-86-4XX6	• 10-92-4XX3	40510C Solder Tail For .062" (1,57mm) PC Board	• 10-87-4XX3	• 10-87-4XX6	• 10-93-4XX3
40508C Solder Tail For .093"-.125" (2,36mm-3,17mm) PC Board	• 10-86-5XX3	• 10-86-5XX6	• 10-92-5XX3	40511C Solder Tail For .093"-.125" (2,36mm-3,17mm) PC Board	• 10-87-5XX3	• 10-87-5XX6	• 10-93-5XX3

Optional Insertable Polarization for 40501 Series Headers

Eng. No.	Order No.	Description
40471	• 15-05-1005	Loose Polarizing Insert with break-off thumb tab



• U.S. Standard Product, available through Molex franchised distributors.