

NEW

SMD Choke Coils

Singapore

Series: Magnetic shielded type

Type: **ELL5□M**



Type ELL5□M

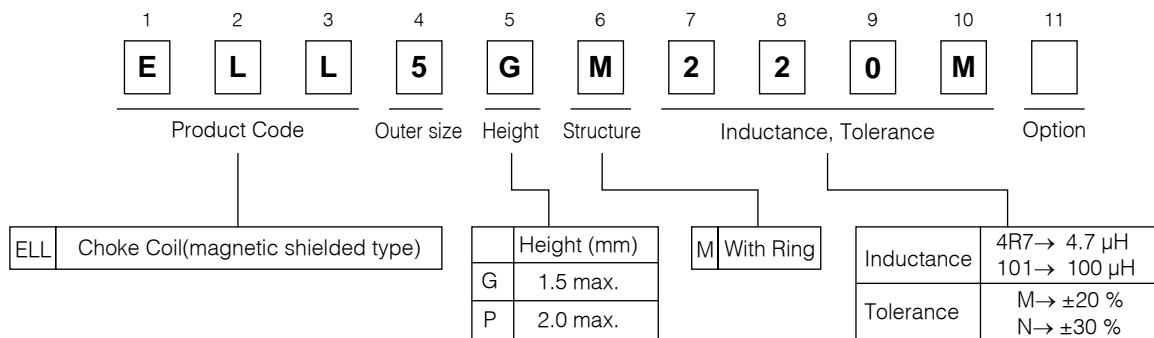
■ Features

- Magnetic shielded structure
- Low DC resistance and large current capability
- Shock resistant structure
- Available on tape and reel for automatic insertion

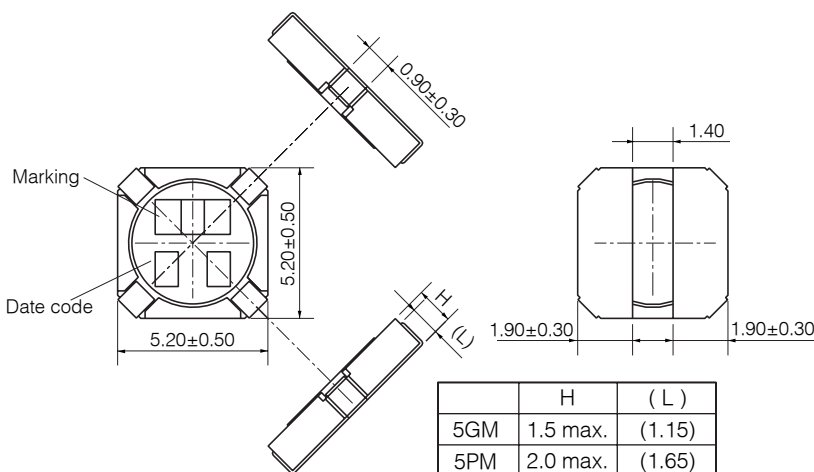
■ Recommended Applications

- DC/DC converter circuitry for computer peripherals and cellular handsets.
- Chopper circuit decoupling chokes in DC/DC converter circuits

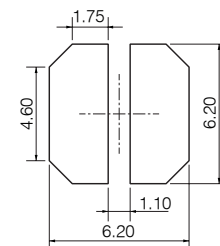
■ Explanation of Part Numbers



■ Dimensions in mm (not to scale)



■ Recommended Land Pattern in mm (not to scale)

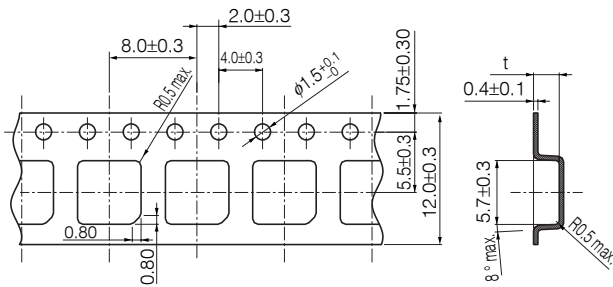


Examples

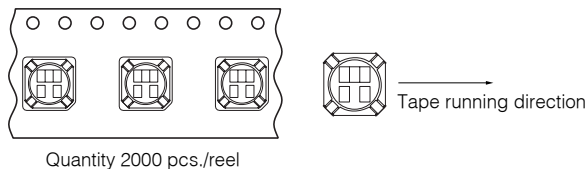
Part No.	Inductance (100 kHz)		DCR (at 20 °C)		* Current (mA) max.	Marking
	(μ H)	Tolerance	(m Ω)	Tolerance		
ELL5GM1R0N	1.0	±30 %	27	±20 %	2200	1R0
ELL5GM2R2N	2.2		50		1500	2R2
ELL5GM3R6N	3.6		68		1100	3R6
ELL5GM4R7N	4.7		91		1000	4R7
ELL5GM5R6N	5.6		100		920	5R6
ELL5GM6R8N	6.8		120		820	6R8
ELL5GM8R2N	8.2		130		800	8R2
ELL5GM100M	10.0		±20 %		140	700
ELL5GM120M	12.0	210		600	120	
ELL5GM150M	15.0	250		550	150	
ELL5GM180M	18.0	270		530	180	
ELL5GM220M	22.0	380		500	220	
ELL5GM270M	27.0	430		400	270	
ELL5GM330M	33.0	490		380	330	
ELL5PM1R2N	1.2	±30 %		23	±20 %	2500
ELL5PM1R8N	1.8		27	2300		1R8
ELL5PM2R4N	2.4		32	2200		2R4
ELL5PM3R0N	3.0		41	1800		3R0
ELL5PM3R6N	3.6		47	1700		3R6
ELL5PM4R3N	4.3		53	1650		4R3
ELL5PM5R6N	5.6		70	1350		5R6
ELL5PM6R8N	6.8		77	1100		6R8
ELL5PM8R2N	8.2	85	1050	8R2		
ELL5PM100M	10.0	±20 %	100	1000	100	
ELL5PM120M	12.0		130	840	120	
ELL5PM150M	15.0		150	800	150	
ELL5PM180M	18.0		200	750	180	
ELL5PM220M	22.0		230	680	220	
ELL5PM270M	27.0		250	560	270	
ELL5PM330M	33.0		290	540	330	
ELL5PM390M	39.0		420	480	390	
ELL5PM470M	47.0	480	460	470		
ELL5PM560M	56.0	660	400	560		
ELL5PM680M	68.0	780	350	680		
ELL5PM820M	82.0	850	330	820		

* Current: This indicates the value of current when the inductance is 70 % of nominal value or when the case temperature has risen 45 $^{\circ}$ C superposition.(at 20 °C)

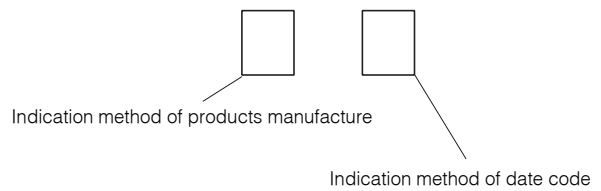
Embossed Carrier Tape Dimensions in mm (not to scale)



	t
ELL5GM	1.75±0.30
ELL5PM	2.15±0.30



Date code



Month	1	2	3	4	5	6	7	8	9	10	11	12
Year												
Odd year	A	B	C	D	E	F	H	I	J	K	L	M
Even year	N	O	P	R	S	T	U	V	W	X	Y	Z