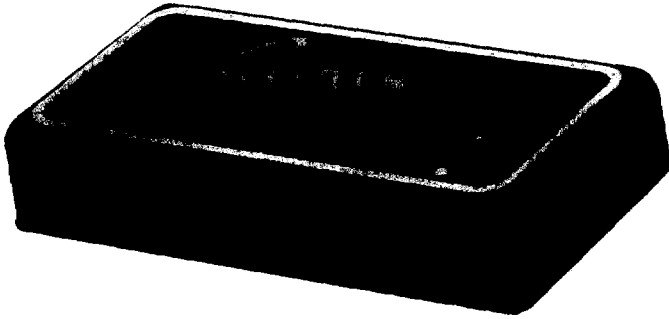


5 WATT CEM 2600 SERIES



- Small 2" x 1" x 0.4" Package
- Linear Regulated Outputs
- Pi Input Filter
- Low Output Noise
- Six-Sided Metal EMI Shield

SPECIFICATIONS

All Specifications Are Typical At Nominal Line, Full Load and 25°C Unless Otherwise Noted.

Input Specifications

Input Voltage Range, 5V 4.65-5.25V
 12V 10.8-13.2V

Input Filter Pi Network

Output Specifications

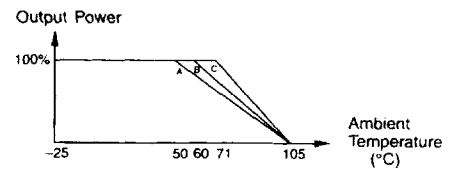
Voltage Accuracy ±1% max.
 Voltage Balance, Dual Output ±0.5% max.
 Temperature Coefficient ±0.03%/°C max.
 Ripple and Noise, 20MHz BW,
 Single Output 40mV p-p max.
 Dual Output 30mV p-p max.
 Single and Dual Output 5mV rms max.
 Short Circuit Protection Short Time
 Line Regulation¹ ±0.5% max.
 Load Regulation² ±0.5% max.

General Specifications

Efficiency See Table
 Isolation Voltage 500 VDC min.
 Isolation Capacitance 80pF
 Isolation Resistance 10⁹ ohms min.
 Switching Frequency 20kHz min.
 Operating Temperature Range, -25°C to +71°C
 Ambient Temperature See Note 3
 Case Temperature 100°C max.
 Cooling Free air Convection
 Storage Temperature Range -40°C to +100°C
 EMI/RFI Six-Sided Continuous Shield
 Dimensions 2 x 1 x 0.4 inches
 (50.8 x 25.4 x 10.2 mm)
 Case Material Black-Coated Copper with
 Non-Conductive Base
 Weight 30g

Notes:

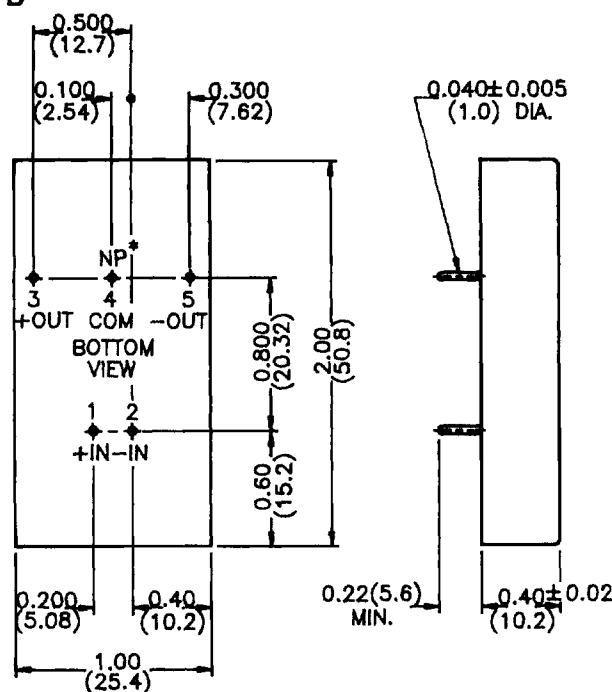
1. Measured from High Line to Low Line.
2. Measured from Full Load to No Load, Dual Outputs Loaded Equally
3. Operating Limits and Output Power Range:



A: Max. Vin
 B: nom. Vin
 C: min. Vin

MODEL NUMBER	INPUT RANGE	OUTPUT VOLTAGE	OUTPUT CURRENT	INPUT CURRENT		% EFF	CASE
				NO LOAD	FULL LOAD		
CEM2601	5Vdc	5Vdc	1000mA	60mA	1565mA	64	B
CEM2602	5Vdc	12Vdc	420mA	70mA	1460mA	69	B
CEM2603	5Vdc	15Vdc	350mA	70mA	1500mA	70	B
CEM2604	5Vdc	±12Vdc	±150mA	130mA	1100mA	65	B
CEM2605	5Vdc	±15Vdc	±150mA	130mA	1390mA	65	B
CEM2611	12Vdc	5Vdc	1000mA	40mA	635mA	66	B
CEM2612	12Vdc	12Vdc	420mA	40mA	600mA	70	B
CEM2613	12Vdc	15Vdc	350mA	40mA	620mA	71	B
CEM2614	12Vdc	±12Vdc	±150mA	60mA	465mA	65	B
CEM2615	12Vdc	±15Vdc	±150mA	60mA	580mA	65	B

Case B



*NP (No Pin) on Single Output Models
 All dimensions in inches (mm)
 X.XX dimensions: ±0.04 inches
 X.XXX dimensions: ±0.010 inches