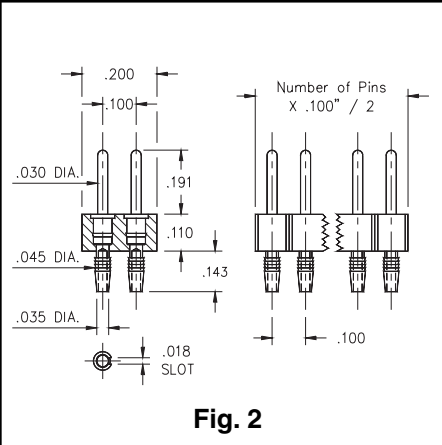
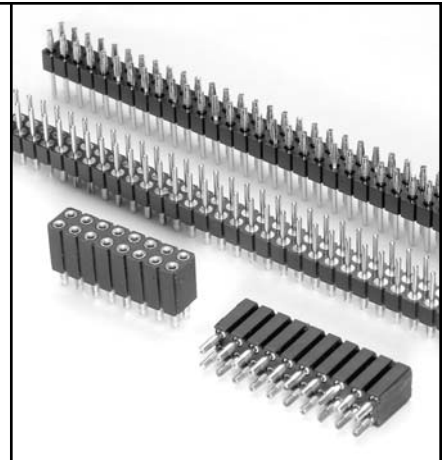
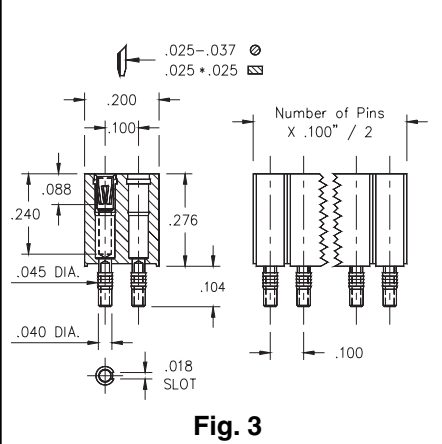


**Fig. 1**

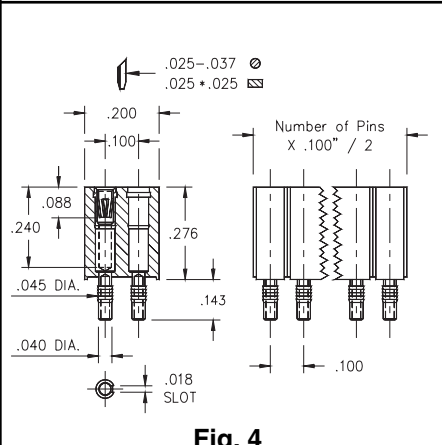
- The unique compliant tail pins conform to .040"±.003" finished hole without stressing inner layers. Patent No. 4,799,904
- Series 802 pin headers are offered in two tail lengths for .060"-.100" (MM #5601) and .090"-.130" (MM #5602) thick panels. See page 178 for details.
- Series 803 sockets MM #4614 or #4615 use Hi-Rel, 6-finger BeCu #47 contacts rated at 4.5 amps. Receptacles accept .030" diameter pins & .025" square pins. See page 211 for details.
- Insulators are high temp. thermoplastic.



**Fig. 2**



**Fig. 3**



**Fig. 4**

**Ordering Information**

<b>Fig. 1</b>	<b>Compliant Tail Pin Header for .060 - .100" thick boards</b>															
	802-XX-0 __ -61-001000 Specify # of pins → 02-64															
<b>Fig. 2</b>	<b>Compliant Tail Pin Header for .090 - .130" thick boards</b>															
	802-XX-0 __ -62-001000 Specify # of pins → 02-64															
<span style="border: 1px solid black; border-radius: 50%; padding: 5px; display: inline-block;">XX= Plating Code See Below</span> <span style="border: 1px solid green; padding: 2px; display: inline-block; margin-left: 20px;">For RoHS compliance select <span style="color: green;">◇</span> plating code.</span>																
SPECIFY PLATING CODE XX=																
<table border="1" style="width: 100%; text-align: center;"> <tr> <td style="width: 25%;"><span style="color: green;">◇</span> 10</td> <td style="width: 25%;">90</td> <td style="width: 25%;"><span style="color: green;">◇</span> 40</td> <td style="width: 25%;"></td> </tr> <tr> <td>Pin Plating </td> <td>10μ" Au</td> <td>200μ" Sn/Pb</td> <td>200μ" Sn</td> </tr> </table>					<span style="color: green;">◇</span> 10	90	<span style="color: green;">◇</span> 40		Pin Plating	10μ" Au	200μ" Sn/Pb	200μ" Sn				
<span style="color: green;">◇</span> 10	90	<span style="color: green;">◇</span> 40														
Pin Plating	10μ" Au	200μ" Sn/Pb	200μ" Sn													
<b>Fig. 3</b>	<b>Compliant Tail Socket for .060 - .100" thick boards</b>															
	803-XX-__ -61-001000 Specify # of pins → 002-100															
<b>Fig. 4</b>	<b>Compliant Tail Socket for .090 - .130" thick boards</b>															
	803-XX-__ -62-001000 Specify # of pins → 002-100															
<span style="border: 1px solid black; border-radius: 50%; padding: 5px; display: inline-block;">XX= Plating Code See Below</span> <span style="border: 1px solid green; padding: 2px; display: inline-block; margin-left: 20px;">For RoHS compliance select <span style="color: green;">◇</span> plating code.</span>																
SPECIFY PLATING CODE XX=																
<table border="1" style="width: 100%; text-align: center;"> <tr> <td style="width: 25%;"></td> <td style="width: 25%;">93</td> <td style="width: 25%;">99</td> <td style="width: 25%;"><span style="color: green;">◇</span> 43</td> </tr> <tr> <td>Sleeve (Pin) </td> <td>200μ" Sn/Pb</td> <td>200μ" Sn/Pb</td> <td>200μ" Sn</td> </tr> <tr> <td>Contact (Clip) </td> <td>30μ" Au</td> <td>200μ" Sn/Pb</td> <td>30μ" Au</td> </tr> </table>						93	99	<span style="color: green;">◇</span> 43	Sleeve (Pin)	200μ" Sn/Pb	200μ" Sn/Pb	200μ" Sn	Contact (Clip)	30μ" Au	200μ" Sn/Pb	30μ" Au
	93	99	<span style="color: green;">◇</span> 43													
Sleeve (Pin)	200μ" Sn/Pb	200μ" Sn/Pb	200μ" Sn													
Contact (Clip)	30μ" Au	200μ" Sn/Pb	30μ" Au													