

Fig. 1

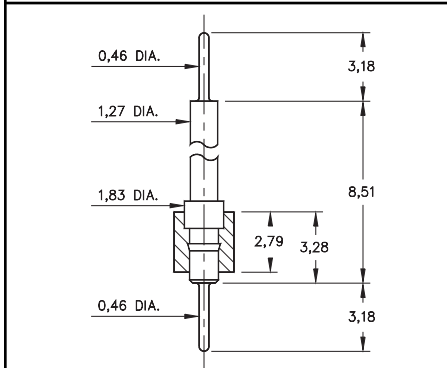


Fig. 2

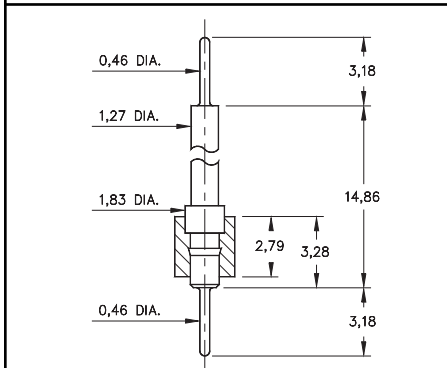


Fig. 3

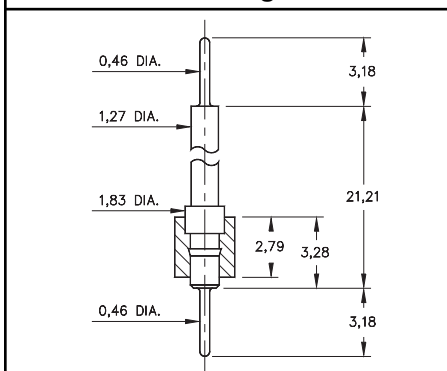


Fig. 4

- Series 342 Interconnect Header strips come in four heights with 0,46 dia. pluggable solder tails at both ends.
- 342...591 uses pin #4259-1 ( L = 5,33 )
- 342...592 uses pin #4259-2 ( L = 8,51 )
- 342...593 uses pin #4259-3 ( L = 14,86 )
- 342...594 uses pin #4259-4 ( L = 21,21 )
- See pages 179 for details.



- Insulators are high temp. thermoplastic.

### Ordering Information

Fig. 1	<b>Series 342...591</b>	<b>0,46 / 0,46 Solder Tails</b>
	342-XX-1__-00-591000	Specify # of pins → 01-64
Fig. 2	<b>Series 342...592</b>	<b>0,46 / 0,46 Solder Tails</b>
	342-XX-1__-00-592000	Specify # of pins → 01-64
Fig. 3	<b>Series 342...593</b>	<b>0,46 / 0,46 Solder Tails</b>
	342-XX-1__-00-593000	Specify # of pins → 01-64
Fig. 4	<b>Series 342...594</b>	<b>0,46 / 0,46 Solder Tails</b>
	342-XX-1__-00-594000	Specify # of pins → 01-64

For Electrical, Mechanical & Environmental Data, See pg. 4

XX=Plating Code See Below

For RoHS compliance select ◇ plating code.

SPECIFY PLATING CODE XX=	10◇	90	40◇	
Pin Plating	0,25µ Au	5,08µ Sn/Pb	5,08µ Sn	