

ZONE	REV	SCR NUMBER	DESCRIPTION	BY	DATE	APPROVED
ALL	-	DSMH-6LSHD8.VER01	NEW RELEASE	HCL	02/13/06	D.SMITH
	A	MDRA-74MK05.VER01	ADDED 20 POSITION	M.DEROSA	06/26/2007	D.SMITH
	B	MCHU-76HLJK.VER02	ADDED KEEPOUT ZONE	HCL-GM	09/28/07	D.SMITH
	C	CSAS-83MHLB.VER01	ADDED NEW PART NUMBERS FOR NEW PLATING CODES IN ASSEMBLY PART NUMBER ASSIGNMENT TREE MODIFIED NOTE 4 AND 7 REMOVED REV COLUMN IN TABLE 1.	HCL-MH	03/03/2010	C.SAMMIS

LEFT POLARIZING BACKPLANE MODULE  
ASSEMBLY PART NUMBER ASSIGNMENT  
325 - X 1 X X - X X X

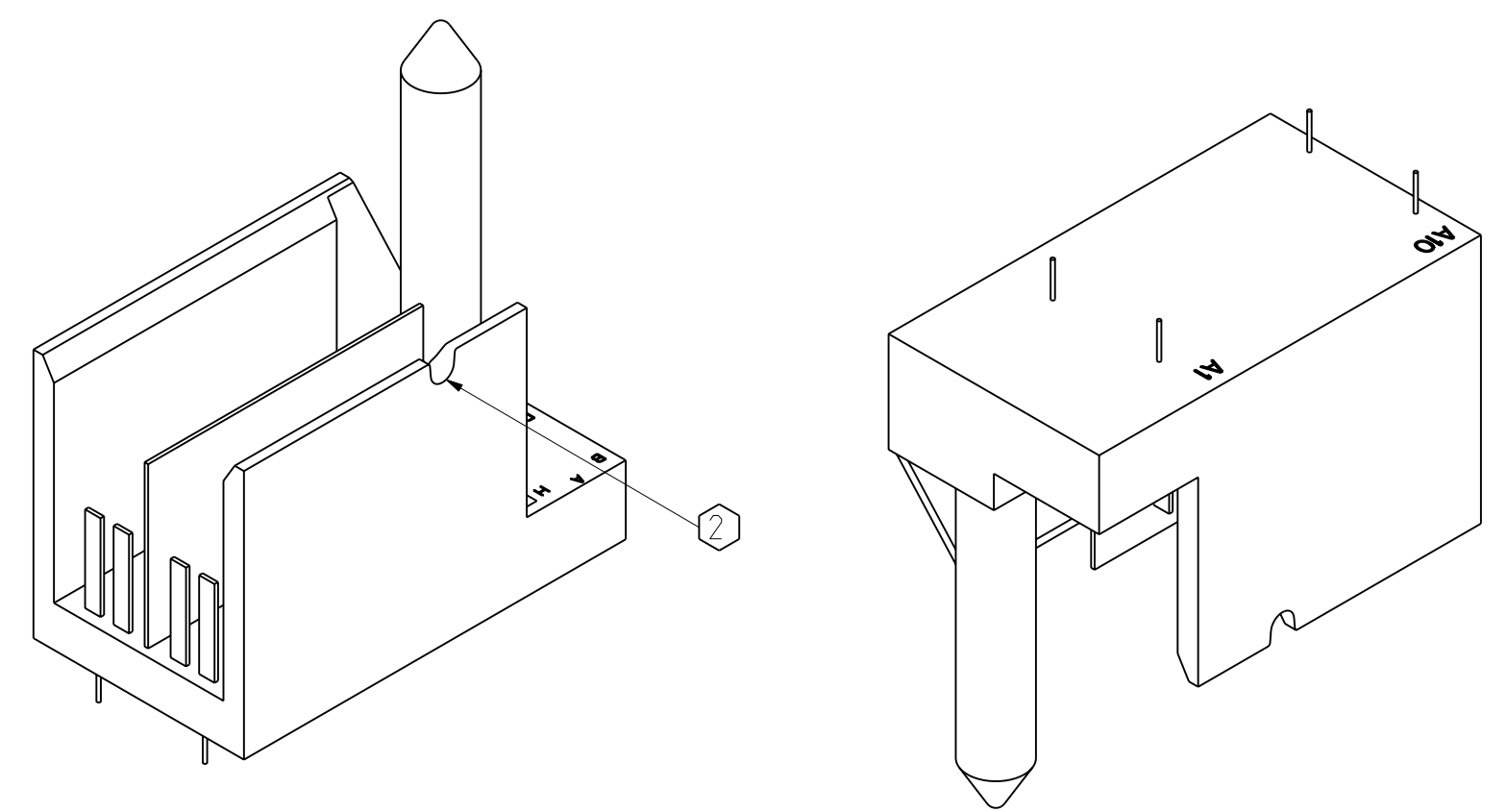
LOAD  
4 = STANDARD LOAD  
7 = CUSTOM LOAD, LEADED  
8 = CUSTOM LOAD, LEAD FREE  
L = CUSTOM LOAD, LEADED, ADVANCED PLATING  
N = CUSTOM LOAD, LEAD FREE, ADVANCED PLATING

NUMBER OF COLUMNS  
05 = 5 COLUMN MODULE  
10 = 10 COLUMN MODULE  
20 = 20 COLUMN MODULE  
25 = 25 COLUMN MODULE

MINIMUM PIN WIPE LENGTH, SEE DETAIL U  
3 = 1.00 mm WIPE  
4 = 2.00 mm WIPE  
5 = 3.00 mm WIPE

PLATING CODE  
0 = 735 4=804  
1 = 732 5=803  
2 = 769 6=806  
3 = 768 7=805

POLARIZATION - SEE TABLE 2



ISO VIEW SCALE 3/1

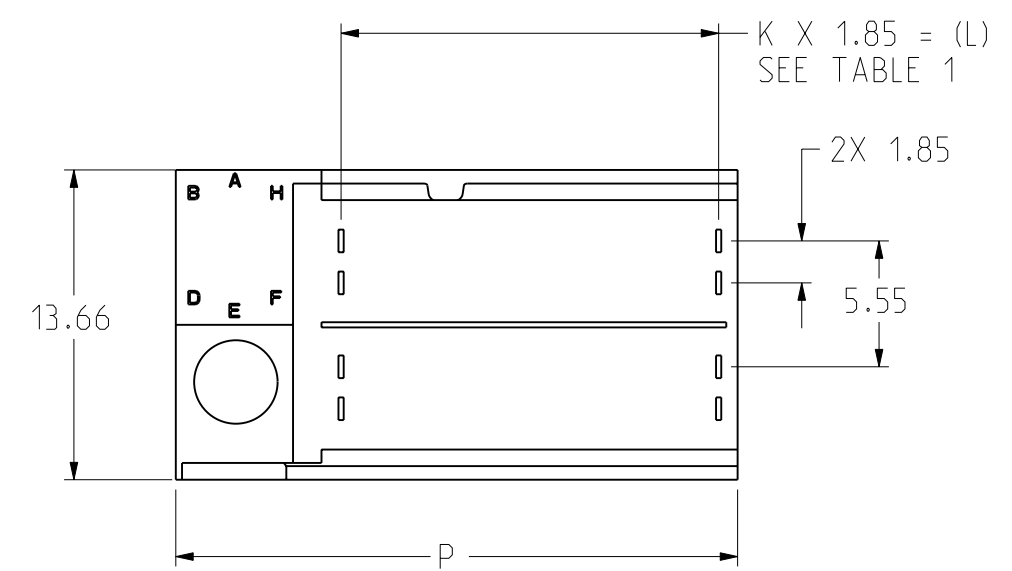
ISO VIEW BOTTOM SCALE 3/1

TABLE 1

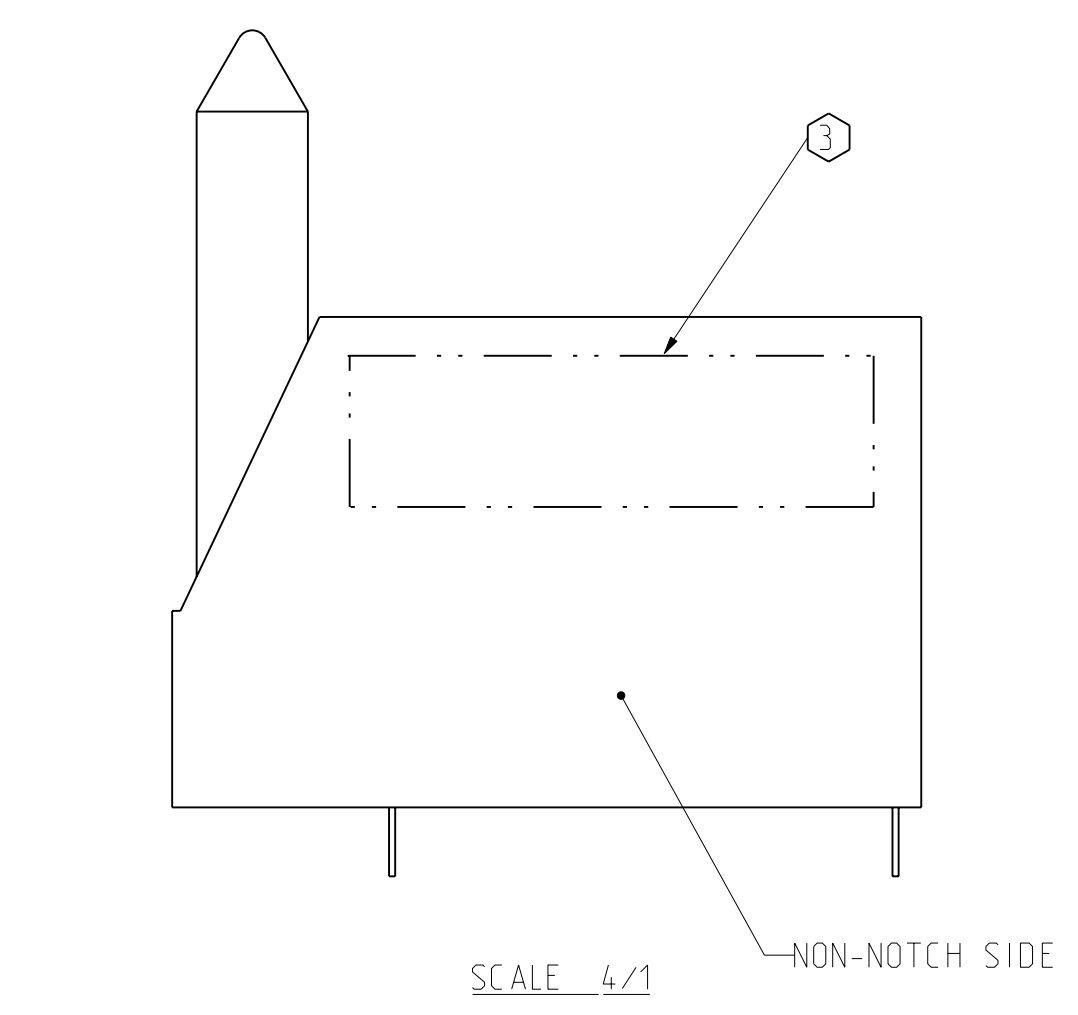
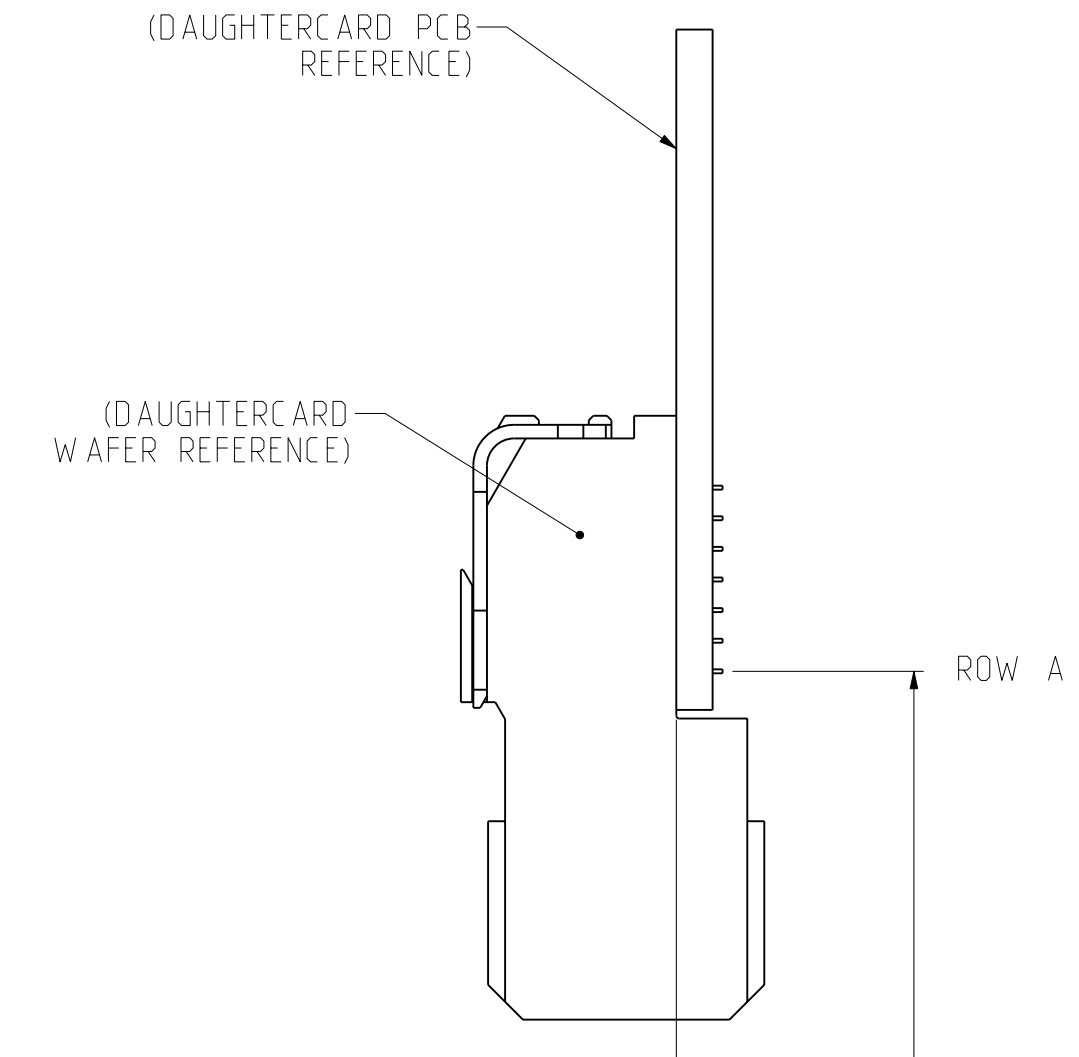
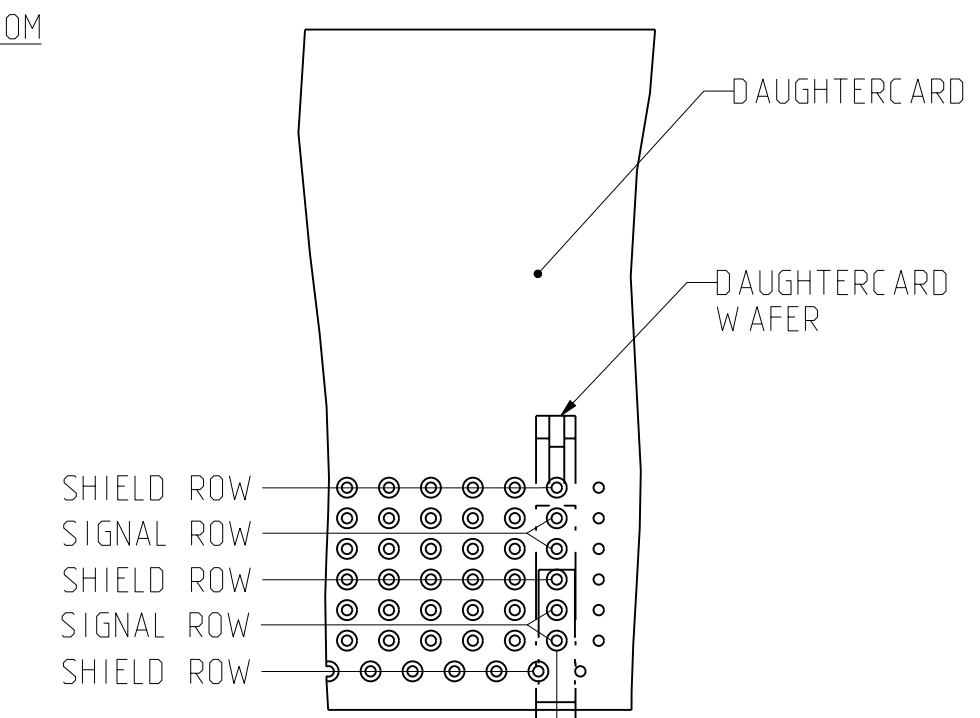
ASSEMBLY PART NUMBER	K	(L)	P	TOTAL NUMBER OF DIFFERENTIAL PAIRS
325-X105-XXX	4	(7.40)	15.53	10
325-X110-XXX	9	(16.65)	24.78	20
325-X120-XXX	19	(35.15)	43.28	40
325-X125-XXX	24	(44.40)	52.53	50

TABLE 2

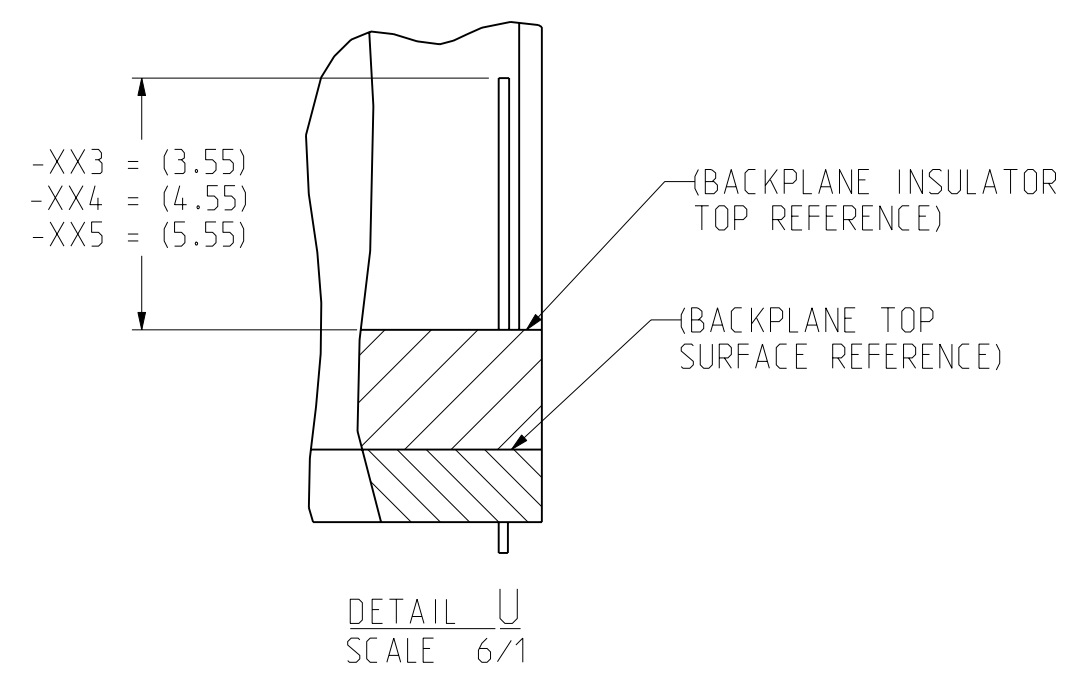
PART NUMBER 325-X1XX-(XXX)	-0XX	-AXX	-BXX	-CXX	-DXX	-EXX	-FXX	-GXX	-HXX
POLARIZING PIN ORIENTATION									



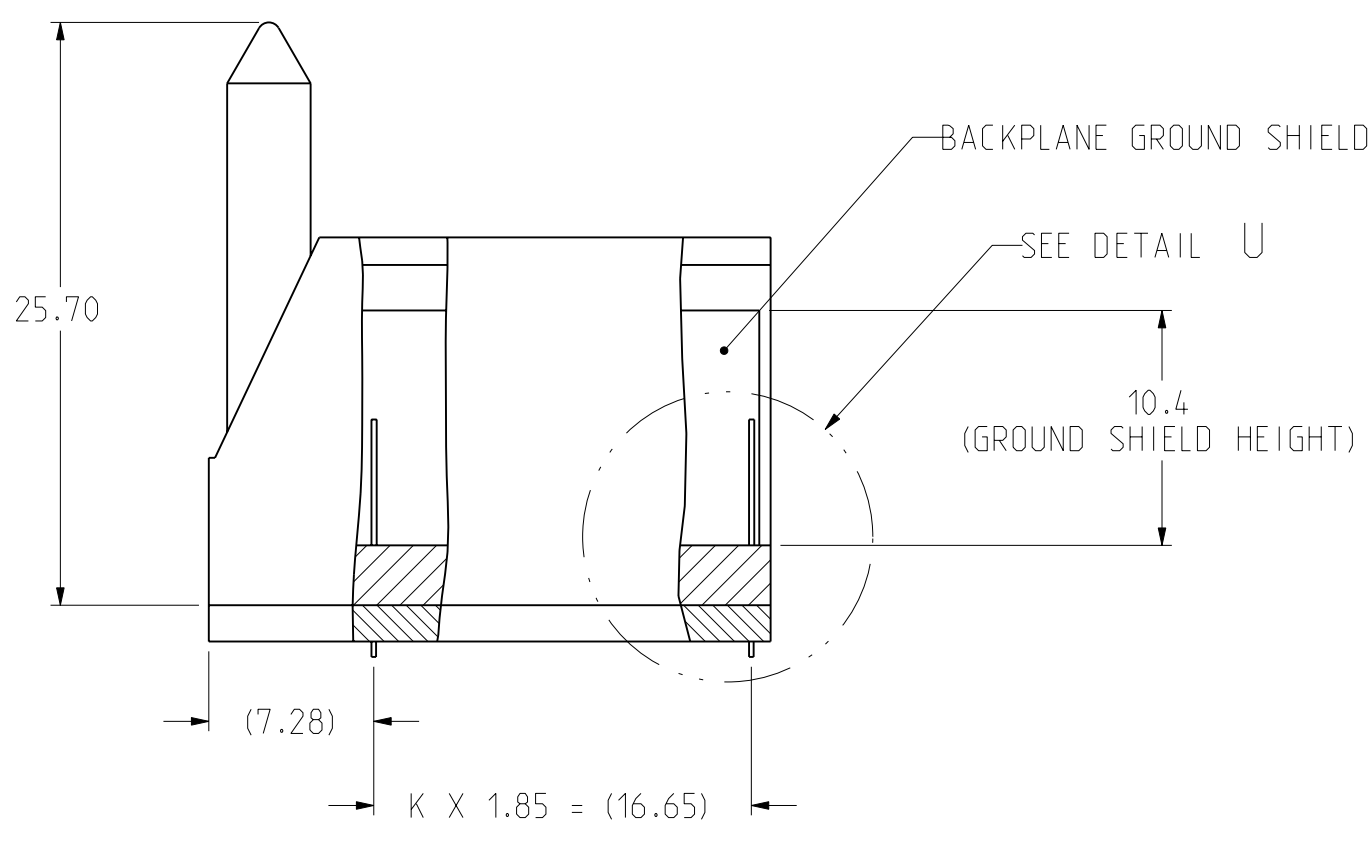
TOP VIEW SHROUD SHOWN ONLY SCALE 3/1



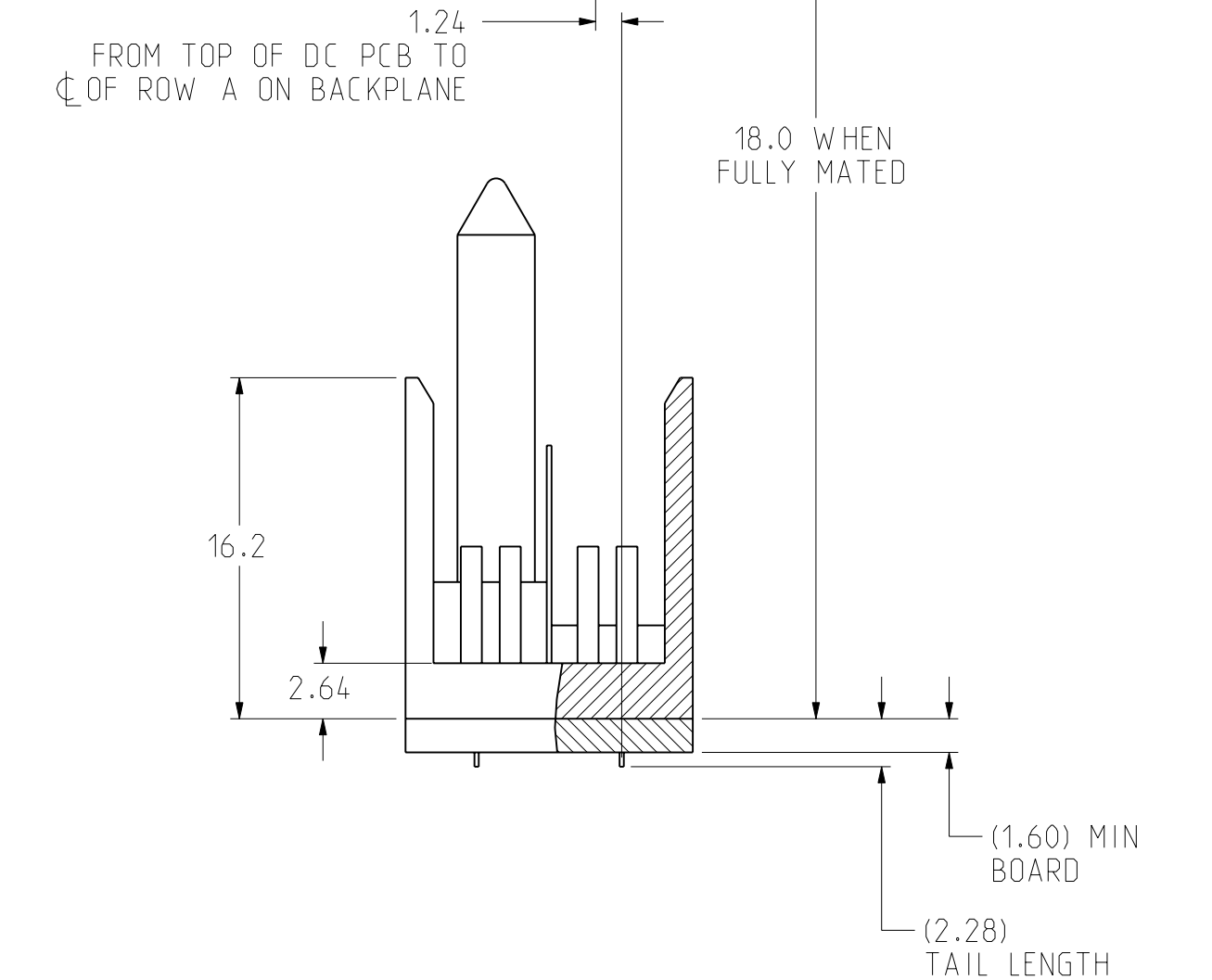
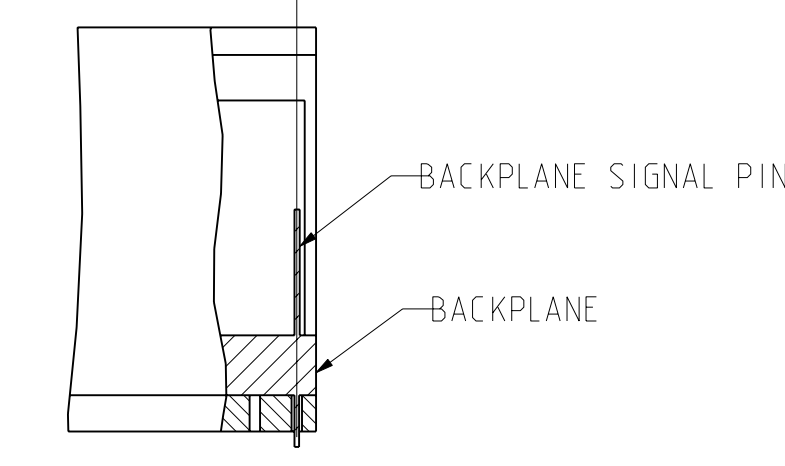
SCALE 4/1



DETAIL U SCALE 6/1



0.00 OFFSET FROM DC COLUMN TO BP COLUMN



- IF 4TH DIGIT OF THE PART NUMBER IS 7 OR 8 OR L OR N (CUSTOM PART), DIGIT 5 THROUGH 10 DO NOT FOLLOW THE PARADIGM IN TABLE.
- USE MATING GAUGE PART NUMBER 699-1085-000 AFTER INSERTION ONTO BOARD TO CHECK POSITION OF BLADES.
- FOR REPAIR PROCEDURE FOR SIGNAL BLADE, SEE TB-2099.

- 9th DIGIT OF PART NUMBER IDENTIFIES PLATING.  
735 - Ni SULFAMATE, STANDARD GOLD, LEADED  
732 - Ni SULFAMATE, HIGH GOLD, LEADED  
769 - Ni SULFAMATE, STANDARD GOLD, LEAD-FREE  
768 - Ni SULFAMATE, HIGH GOLD, LEAD-FREE  
804 - NANO Ni, STANDARD GOLD, LEADED  
803 - NANO Ni, HIGH GOLD, LEADED  
806 - NANO Ni, STANDARD GOLD, LEAD-FREE  
805 - NANO Ni, HIGH GOLD, LEAD-FREE

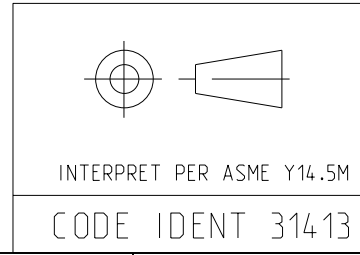
- PART MARKING AS FOLLOWS:  
LINE 1: "ATCS" AND DATECODE (ATCS YYWW).  
LINE 2: MODULE PART NUMBER (325-###-###).  
LINE 3: WORK ORDER NUMBER (###\*#####), WHERE "\*" DENOTES MANUFACTURING LOCATION.

- NOTCH DESIGNATES "ROW A" SIDE OF SHROUD. NOTCH FEATURE ON OPPOSITE SIDE FROM PART MARKING.

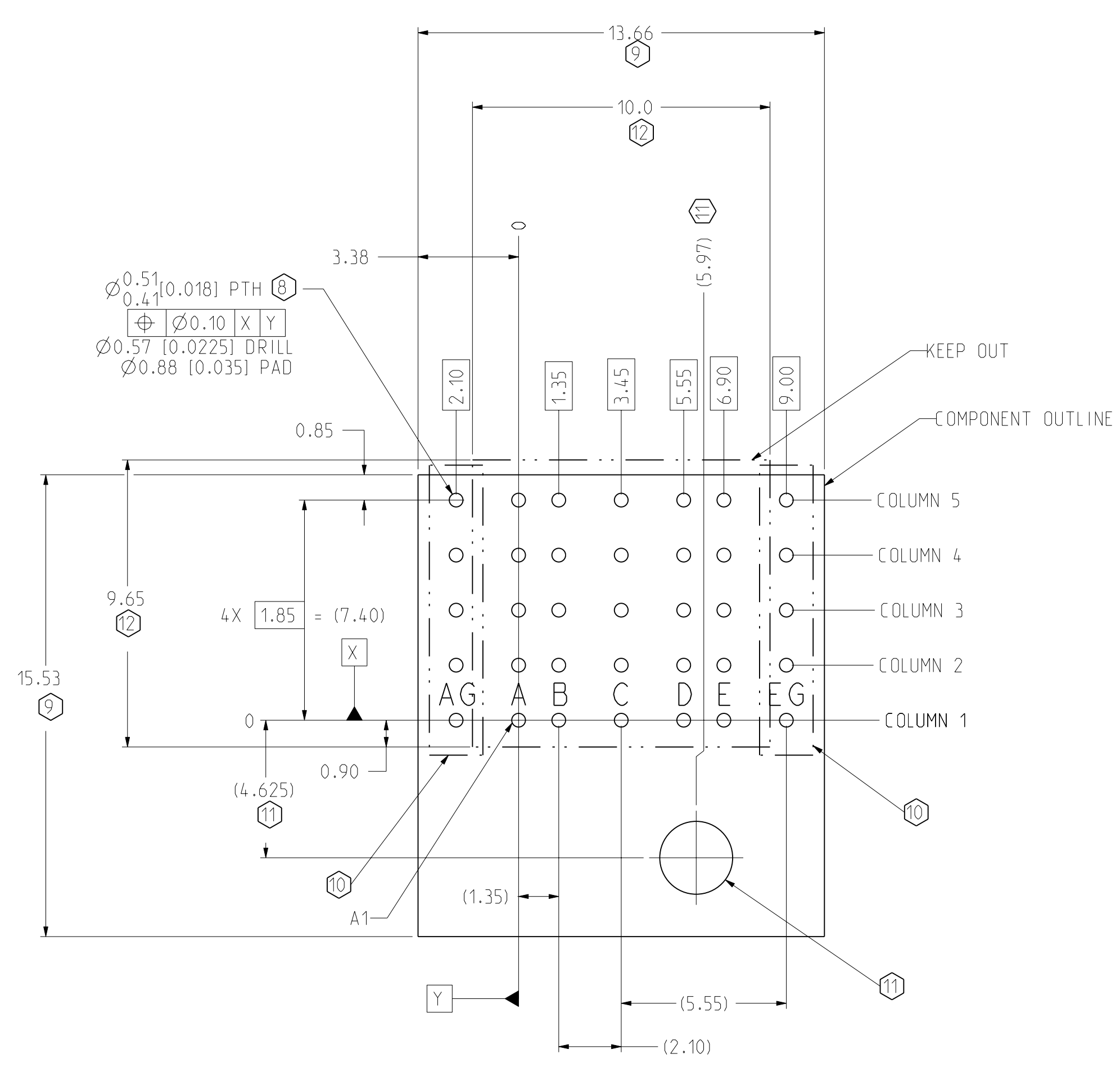
- REFER TO TB-2085 FOR GbX PRODUCT SPECIFICATIONS.

NOTES:

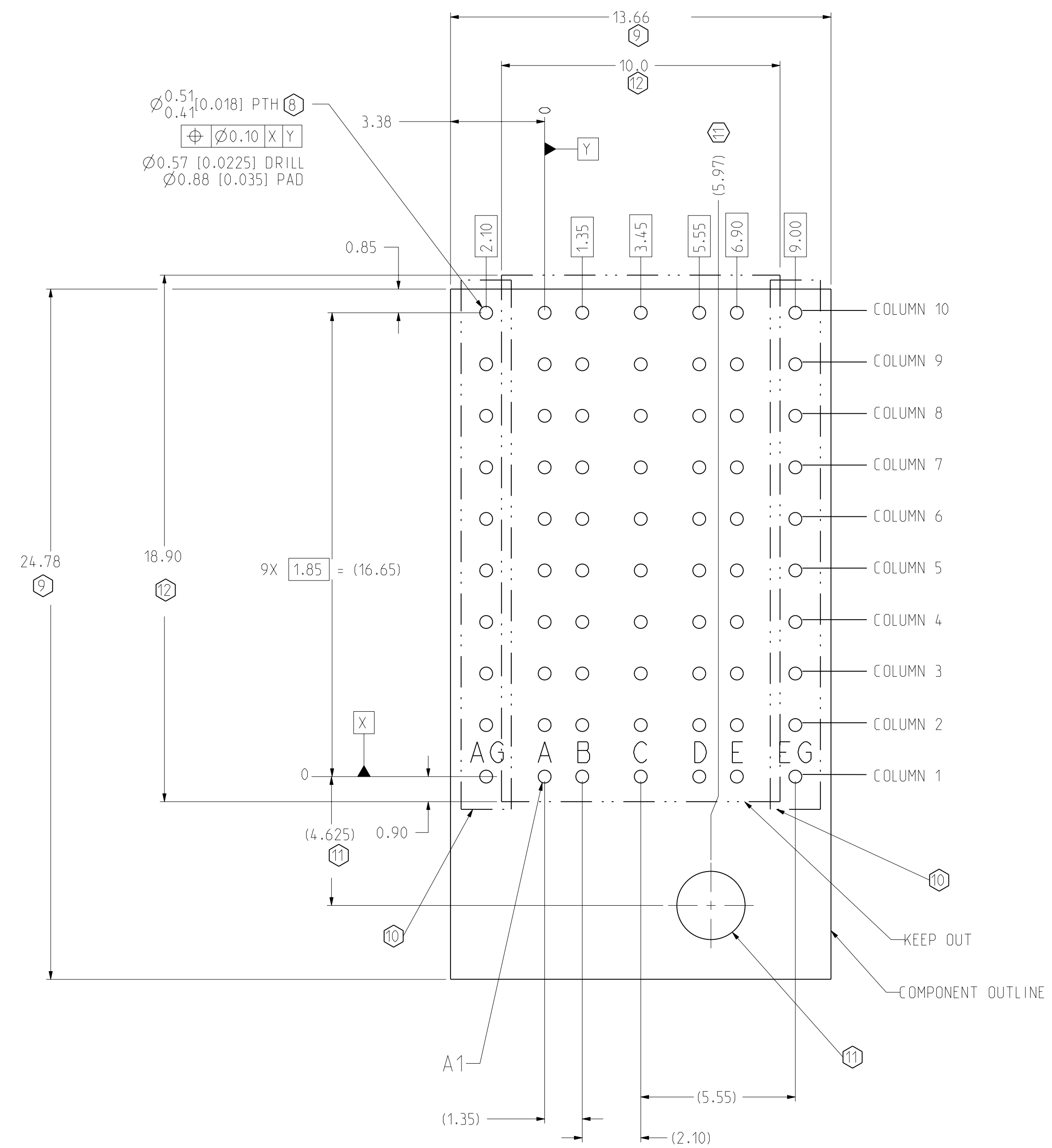
TOLERANCES	DESIGN 05-24-2005	DRAWN 05-31-2005	CHK 05-31-2005	APVD 05-31-2005	Amphenol TCS A Division of Amphenol Corporation 200 Innovative Way, Nashua, NH 03062 603.879.3000	
0.0	±0.25	M.DEROSA	B.RICHARD	B.RICHARD	TITLE	GbXE, 2 PAIR DIFFERENTIAL LEFT POLARIZING BACKPLANE MODULE
0.00	±0.13	M.DEROSA	B.RICHARD	B.RICHARD	PART NO.	SEE PART NUMBER TREE
0.000	±	M.DEROSA	B.RICHARD	B.RICHARD	DRAWING NO.	C-325-4110-500
ANGLES	±	M.DEROSA	B.RICHARD	B.RICHARD	PROJ TYPE	P1034-CU-HS-BP-LTPOL
					PROJ DRAWING	C-325-4110-500
					SIZE	D
					SCALE	3/1
					SHEET	1 OF 3



CUSTOMER USE DRAWING



05 POSITION GbXe HOLE PATTERN  
COMPONENT SIDE SHOWN  
SCALE 7/1



10 POSITION GbXe HOLE PATTERN  
COMPONENT SIDE SHOWN  
SCALE 8/1

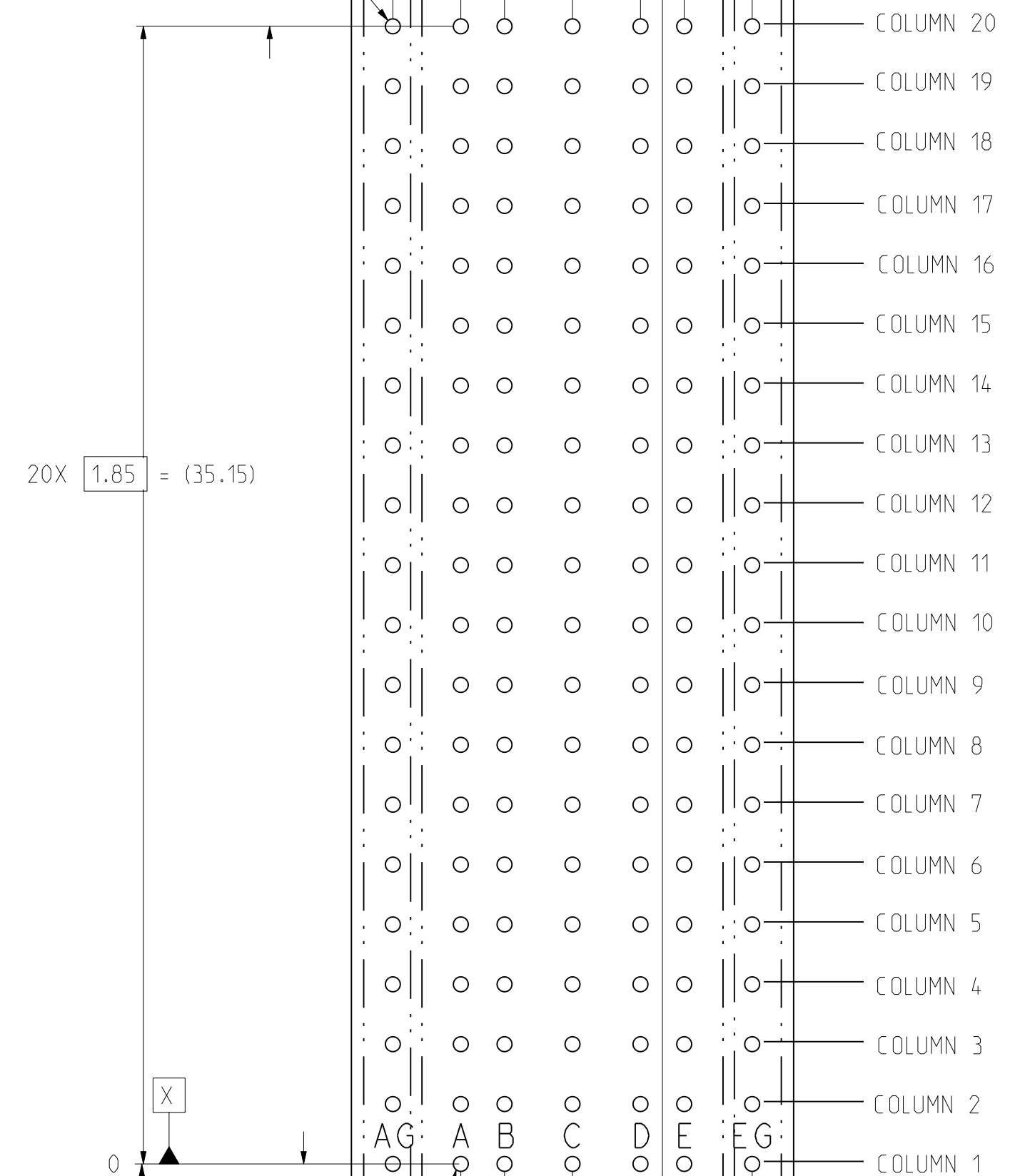
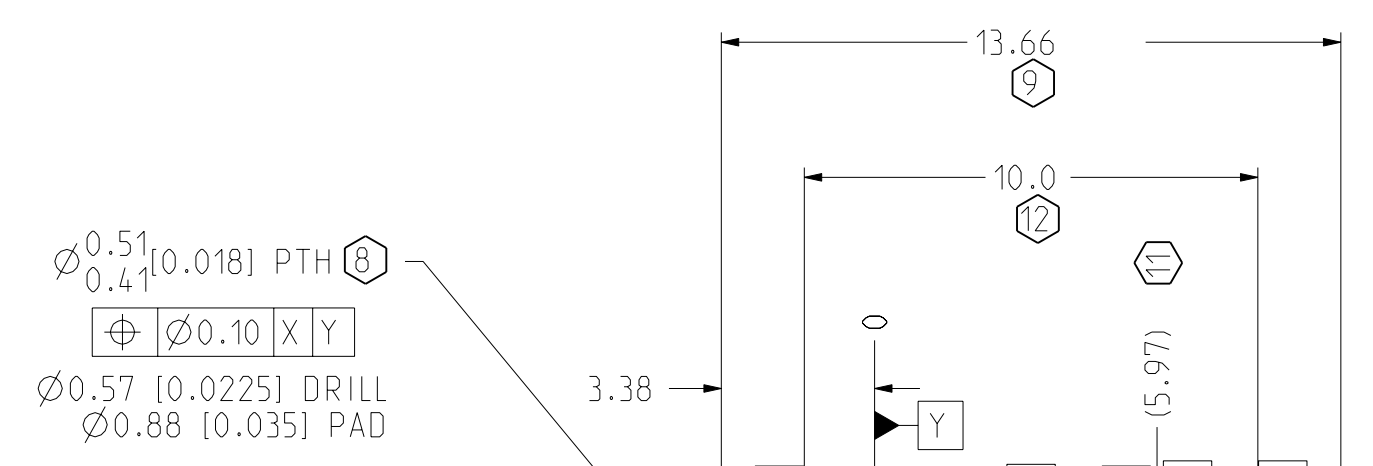
- NOTES:
- 12 NO SURFACE TRACES IN KEEP OUT ZONE
  - 11 OPTIONAL HOLE LOCATION FOR GROUNDED PIN OR ADDITIONAL GUIDE PIN SUPPORT. SEE DOCUMENT C-564-0471-000 FOR DETAIL AND LOCATION. FOR DC BOARD WEIGHT > 8LBS., REFER TO TB-2104 FOR PROPER GUIDE PIN SIZING.
  - 10 ADDITIONAL ROWS AG AND HG RECOMMENDED FOR ALL APPLICATIONS. (THESE ROWS SHOULD BE CONNECTED TO GROUND.)
  - 9 SEE DOCUMENT 190-0002-000 FOR TOOLING KEEPOUT ZONES.
  - 8 STATED PAD SIZE MAY REQUIRE FILLETING. FOR DETAILED ROUTING GUIDELINES, SEE TB-2090.

TOLERANCES		DESIGN 05-24-2005 M.DEROSA	<b>Amphenol TCS</b> A Division of Amphenol Corporation 200 Innovative Way, Nashua, NH 03062 603.879.3000	TITLE	GbXe, 2 PAIR DIFFERENTIAL LEFT POLARIZING BACKPLANE MODULE	
0.0	±0.25	DRAWN 05-31-2005 M.DEROSA		PART NO.	SEE PART NUMBER TREE	REV N/A
0.00	±0.13	CHK 05-31-2005 B.RICHARD		DRAWING NO.	C-325-4110-500	REV C
0.000	± -	APVD 05-31-2005 B.RICHARD		PROJ TYPE	P1034-CU-HS-BP-LTPOL	1.3
ANGLES	± -	UNLESS OTHERWISE SPECIFIED DIMENSIONS ARE IN MM. DECIMAL MARKER IS A PERIOD.		PROJ DRAWING	C-325-4110-500	C.O.
INTERPRET PER ASME Y14.5M CODE IDENT 31413			CUSTOMER USE DRAWING		SIZE D SCALE 3/1 SHEET 2 OF 3	

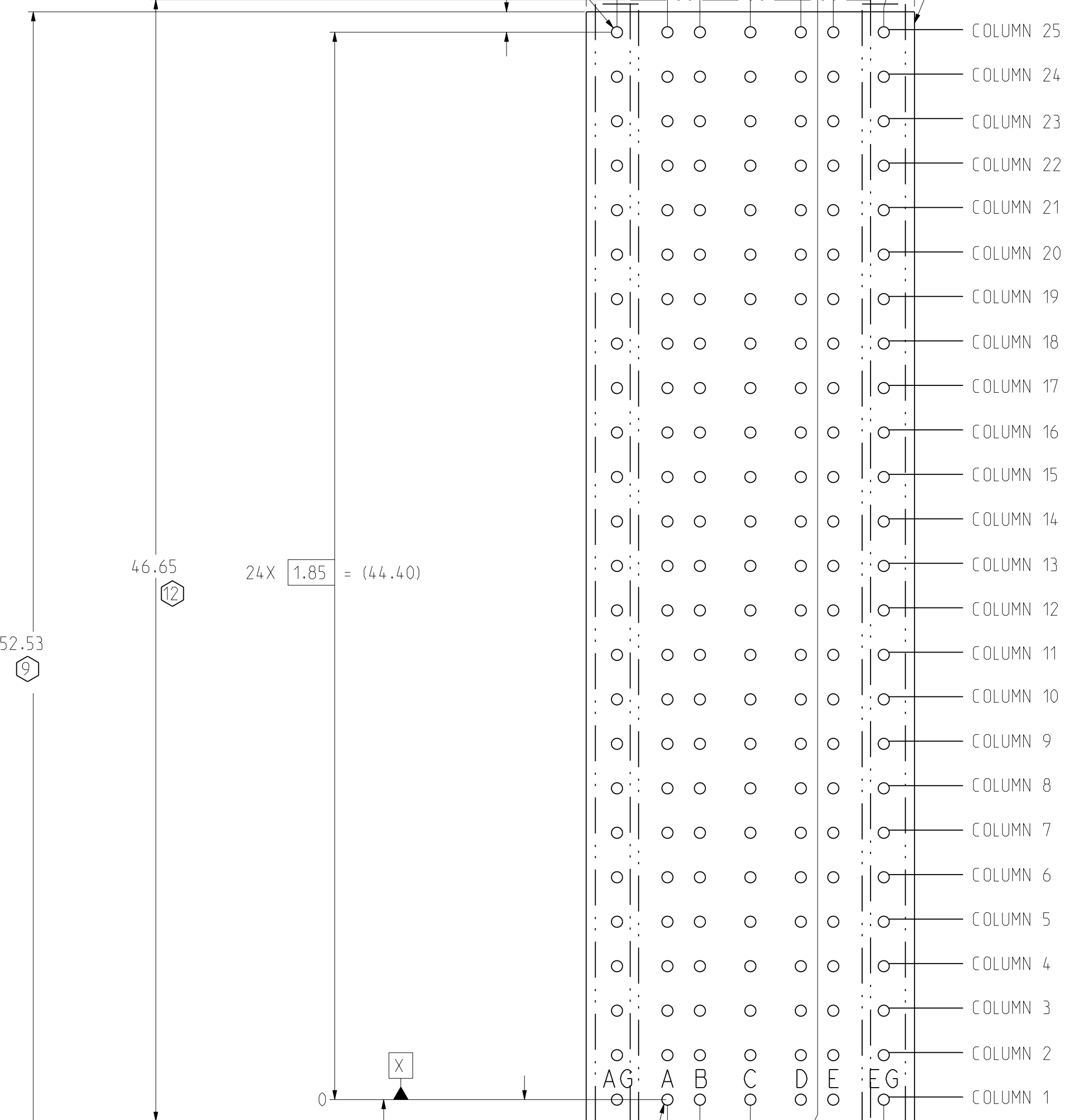
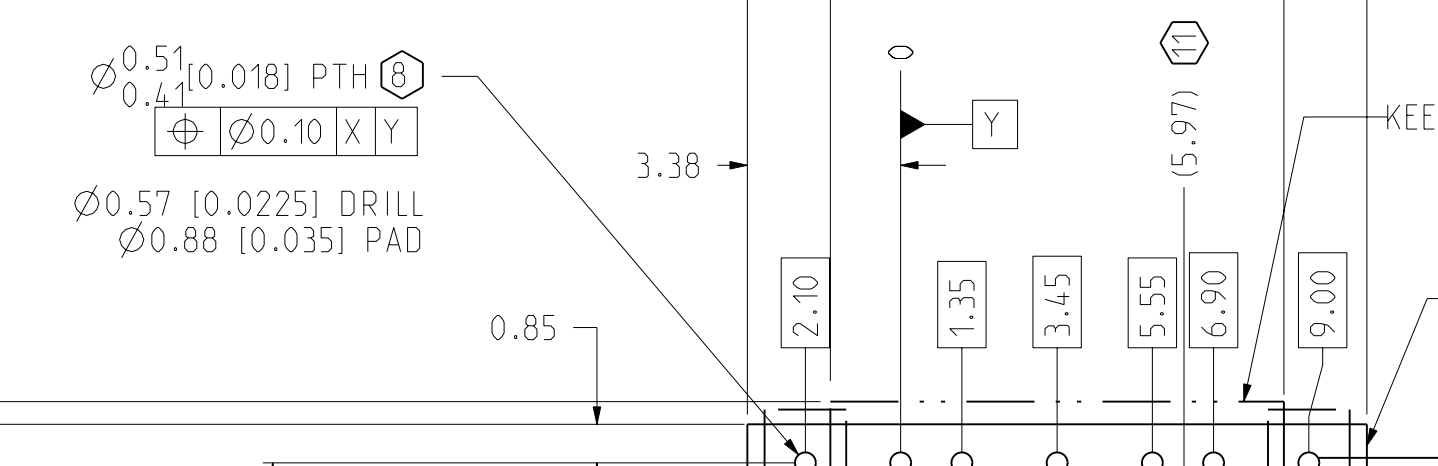
DRW NO. C-325-4110-500

SH 2 REV C

ZONE	REV	SCR NUMBER	DESCRIPTION	BY	DATE	APPROVED
			SEE SHEET 1			



20 POSITION GbXe HOLE PATTERN  
COMPONENT SIDE SHOWN  
SCALE 6/1



25 POSITION GbXe HOLE PATTERN  
COMPONENT SIDE SHOWN  
SCALE 6/1

TOLERANCES	DESIGN	05-24-2005
0.0	±0.25	M.DEROSA
0.00	±0.13	DRAWN
		05-31-2005
		M.DEROSA
0.000	± -	CHK
		05-31-2005
		B.RICHARD
ANGLES	± -	APVD
		05-31-2005
		B.RICHARD

**Amphenol TCS**  
A Division of Amphenol Corporation  
200 Innovative Way, Nashua, NH 03062 603.879.3000

TITLE	GbXe, 2 PAIR DIFFERENTIAL LEFT POLARIZING BACKPLANE MODULE	REV	N/A
PART NO.	SEE PART NUMBER TREE	REV	C
DRAWING NO.	C-325-4110-500	SCALE	3/1
PROJ TYPE	P1034-CU-HS-BP-LTPOL	DATE	1.3
PROJ DRAWING	C-325-4110-500	SHEET	3 OF 3

UNLESS OTHERWISE SPECIFIED DIMENSIONS ARE IN MM. DECIMAL MARKER IS A PERIOD.  
INTERPRET PER ASME Y14.5M  
CODE IDENT 31413

CUSTOMER USE  
DRAWING

DRW NO.  
C-325-4110-500

SH  
3  
REV  
C