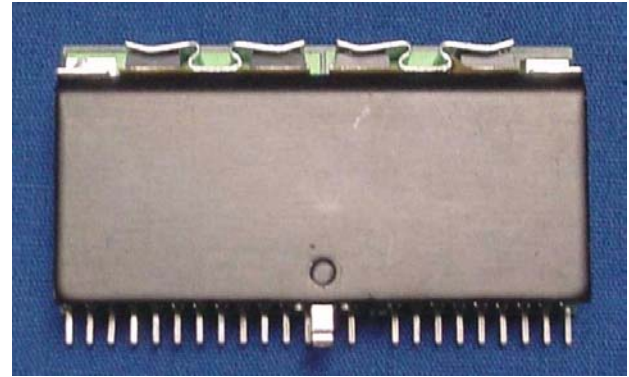


P/N: 073-20813-50
Features:

- ✓ DAC Programmable Output Voltage
- ✓ Adaptive Positioning
- ✓ Power Good Output
- ✓ Differential Remote Sense
- ✓ Output Enable
- ✓ Supervisory Functions
 - Output Over-Current
- ✓ 5V or 12V Power Input
- ✓ Vertical Mount Soldered Pins

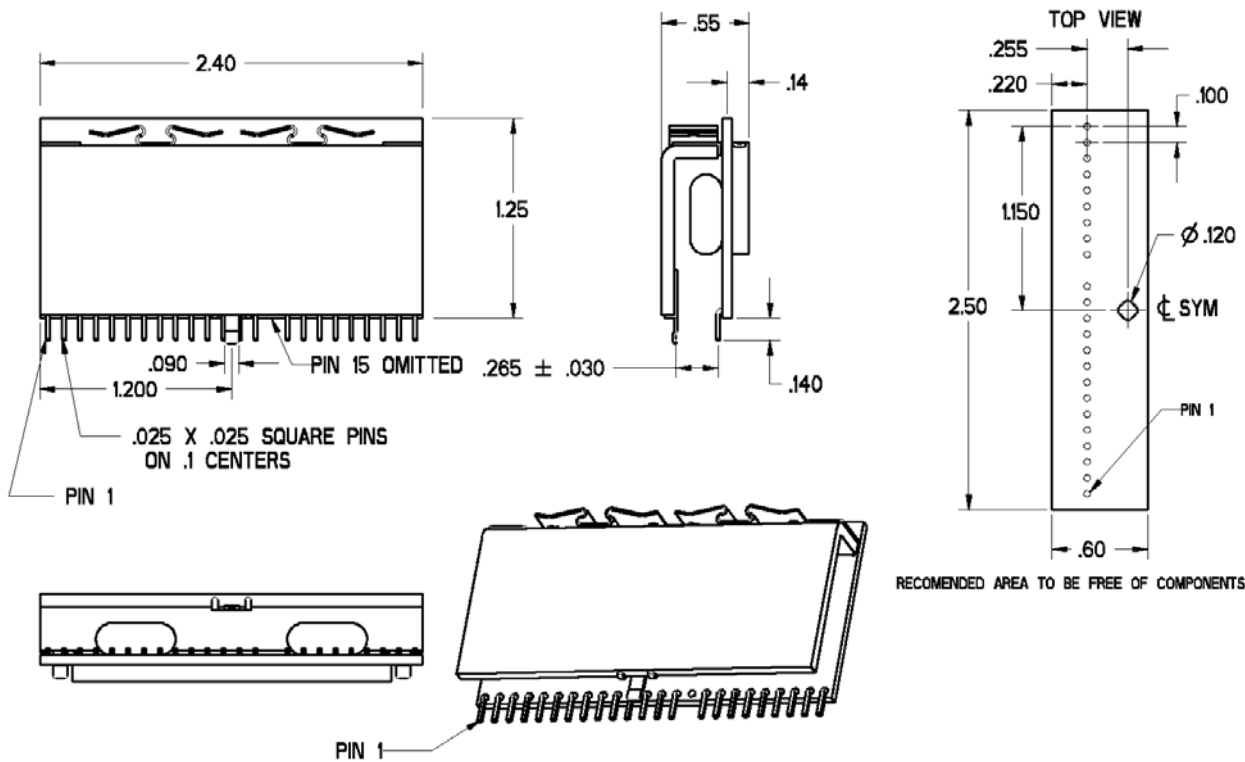


**1.05V – 1.825V Output @ 28 Amps
Multi-Phase Buck Topology**

Specifications	Conditions	Min.	Typ.	Max.	Units	
Input	Power Input Voltage	$I_o=0$ to 28 Amps	4.75	5.0	5.25	V
			11.4	12.0	12.6	V
	Input V_{CC}		11.4	12	12.6	V
Output	Output Voltage (V_o)	5-Bit DAC Controlled	1.05	--	1.825	V
	Output Current (I_o)		0	--	28	A
	Efficiency	$I_o=28$ Amps	80	--	--	%
Protection	Over-Current Limit	$I_o=28$ Amps	--	--	150	%
Temperature	Operating	$I_o=28$ Amps	0	--	50	°C
	Storage		-40	--	70	°C
Physical Information	Dimensions: 2.4"L x 1.25"H x 0.60"W					
Reliability	MTBF Prediction per "RAC Prism" at 55°C		3,454,947		hours	

* VRM 8.5 compliant

Mechanical Information



Pinout Information

Pin	Function	Pin	Function	Pin	Function	Pin	Function
1	V _{TT}	7	VID0	13	5V or 12V Power Input	19	V _{SS}
2	V _{TT_PWRGD}	8	VID 25mV	14	5V or 12V Power Input	20	V _{CCCORE}
5	PWRGD	9	OUTEN	15	KEY (No pin)	21	V _{SS}
4	VID3	10	-SENSE	16	V _{CCCORE}	22	V _{CCCORE}
5	VID2	11	+SENSE	17	V _{SS}	23	V _{SS}
6	VID1	12	+12V _{CC}	18	V _{CCCORE}	24	V _{CCCORE}