

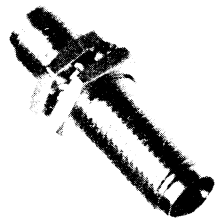
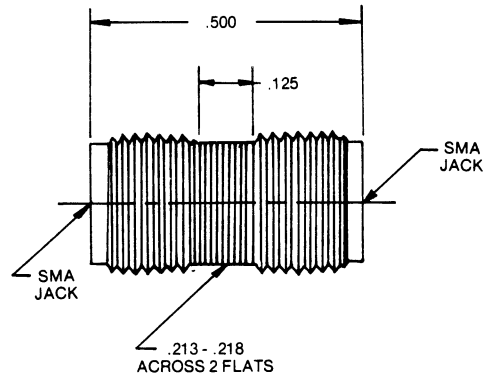
SMA IN SERIES ADAPTERS



Adapter Jack/ Jack

Epoxy Captivated Contact

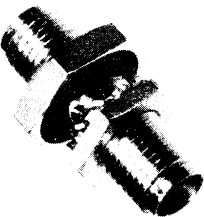
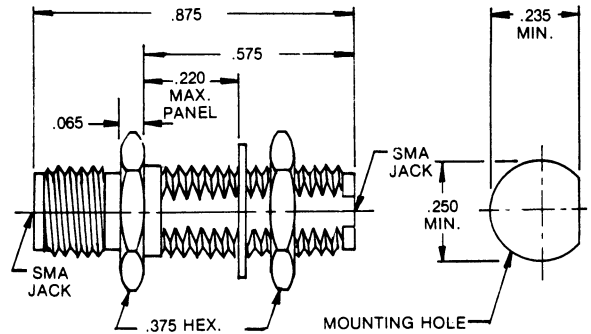
2992-6001
SF2992-6001



Bulkhead Adapter Jack/ Jack

Captive Center Contact

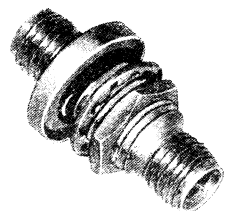
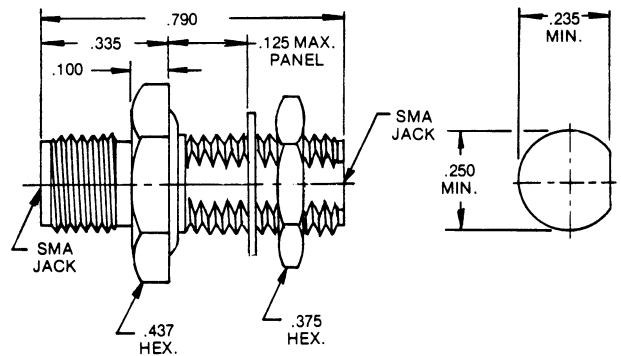
2990-6005
SF2990-6005
2990-6001 Without "D" Flat
SF2990-6001 Without "D" Flat



Bulkhead Adapter with Gasket Jack/ Jack

Epoxy Captivated Contact

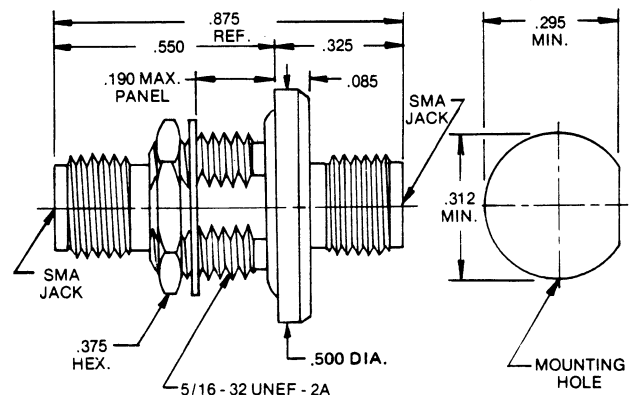
2990-6002
SF2990-6002



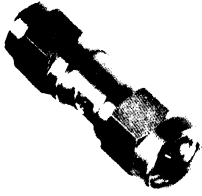
Hermetically Sealed Bulkhead Feedthrough with Gasket Jack/ Jack

Hermetic

2991-6002



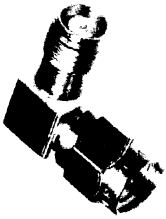
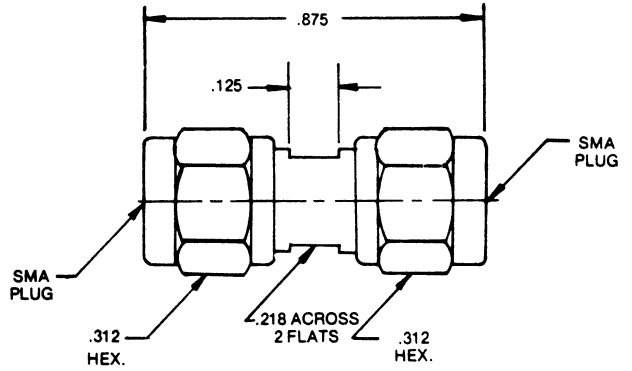
SMA IN SERIES ADAPTERS



Adapter Plug/Plug

Epoxy Captivated Contact

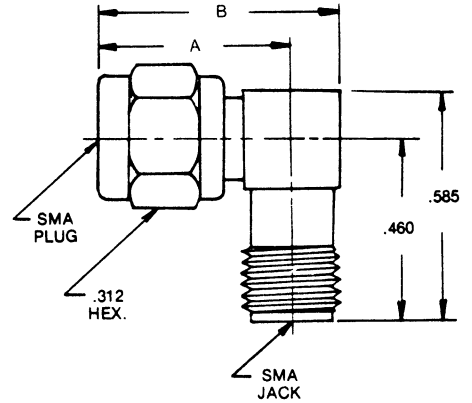
2993-6001
SF2993-6001



Right Angle Adapter Plug/Plug

| PART NUMBER | DIM (In) | |
|-------------|----------|------|
| | A | B |
| DC-12.4 GHz | | |
| 2994-6001 | .500 | .625 |
| DC-18 GHz | | |
| 2994-6002 | .427 | .552 |

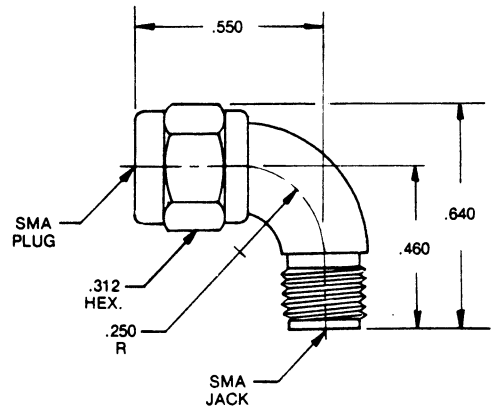
Add suffix SF to Part Number for Stainless Finish Version



Radius Right Angle Plug/Jack Adapter

One Piece Contact
Lower VSWR

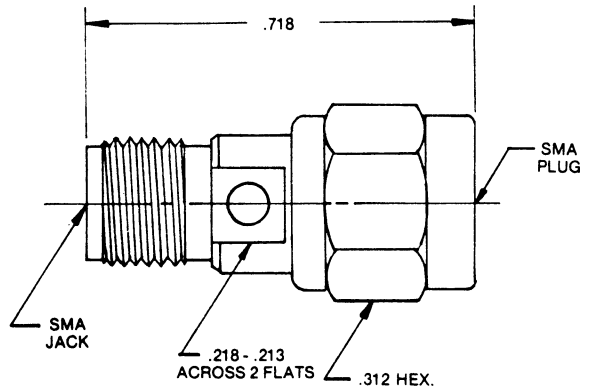
2994-6002
SF2994-6002



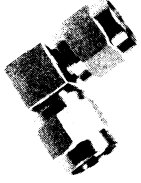
Adapter Plug to Jack

Connector Saver
Epoxy Captivated Contact

2997-6003
SF2997-6003



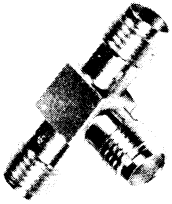
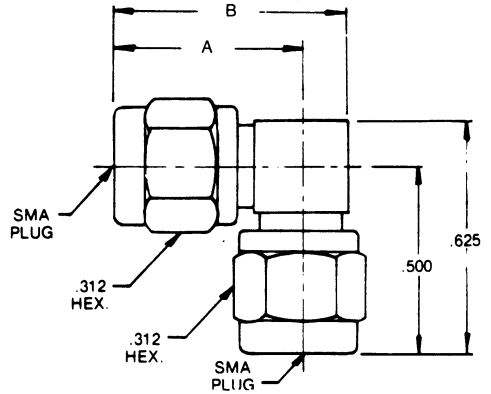
SMA IN SERIES ADAPTERS



Right Angle Adapter Plug/Plug

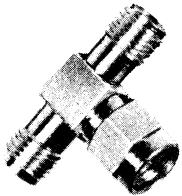
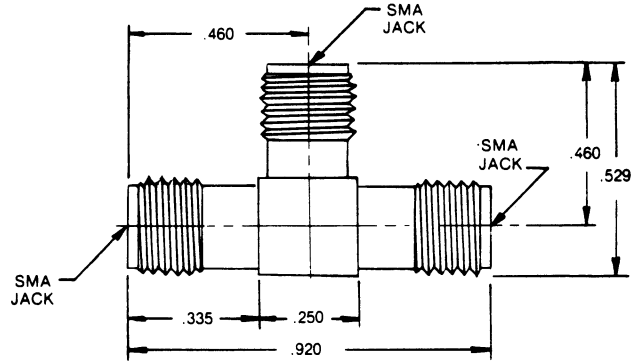
| PART NUMBER | DIM (in) | |
|-------------|----------|------|
| | A | B |
| DC-12.4 GHz | | |
| 2993-6005 | .500 | .625 |
| DC-18 GHz | | |
| 2993-6650 | .427 | .552 |

Add suffix SF to Part Number for Stainless Finish Version



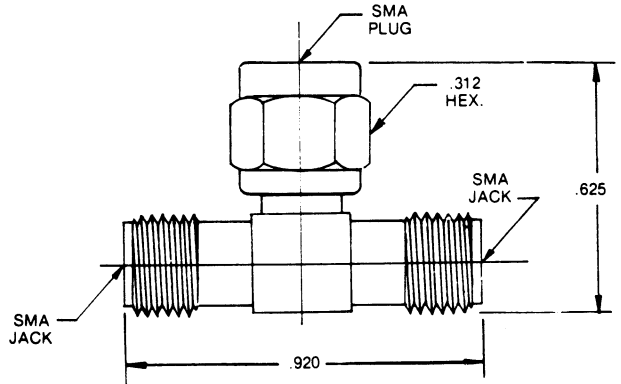
Adapter/Tee Jack/Jack/Jack

2995-6001



Tee Adapter Jack/Plug/Jack

2996-6001



Dust Cap Plug

2998-6001

