

## AMPLIFIERS THICK FILM - CS SERIES

### Description

- Medium power amplifiers

### Applications

- Military
- Telecommunications

### Features

- Frequency range: 5 to 600 MHz
- High ICP3

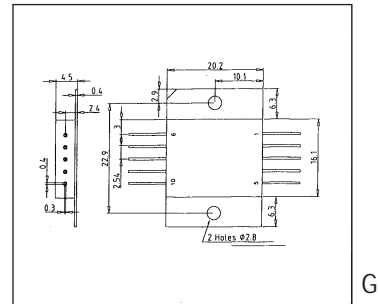
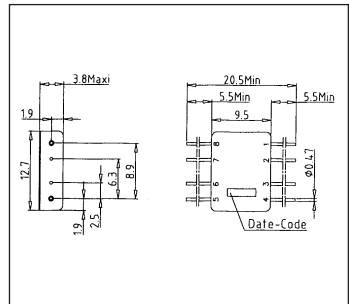
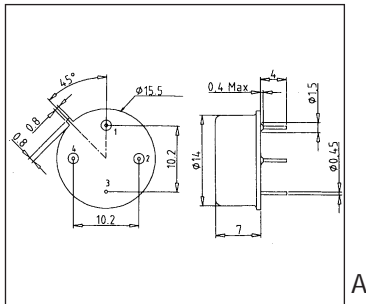
### Operating characteristics

- Impedance: 50  $\Omega$  nominal
- Temperature range: - 40° C to + 85° C

### Pin configuration

Case	Input	Output	VDC	Ground
A	2	4	1	3
F	5	1	4	2, 3, 6, 7, 8
G	5	10	1.6	2, 3, 4, 7, 8, 9

### Case drawings



### Electrical characteristics

Model N°	Frequency range (MHz)		Power output @ 1 dB comp. (dBm)	Noise figure (dB) max.	Gain (dB) min.	3rd order inter. point (dBm)	Flat ( $\pm$ dB) max.	VSWR max.	DC supply		Case type
	min.	max.							(V)	(mA)	
CS74	10	150	23	4.5	14	39	0.5	1.5	12	105	A
CS12 M	10	200	18	3	8.5	37	0.3	1.7	15	38	A
CS32	500	600	11	3	15.8	23	0.3	1.5	15	21	A
CS24	10	100	12	2.5	20	29	0.5	1.5	12	25	F
CS04	5	200	24	3	29	40	1	1.5	24	157	G
CS04-02	20	300	28	3	22.5	41	1	1.6	15	190	G
CS05	20	500	28	4.5	20	41	1	1.7	15	190	G