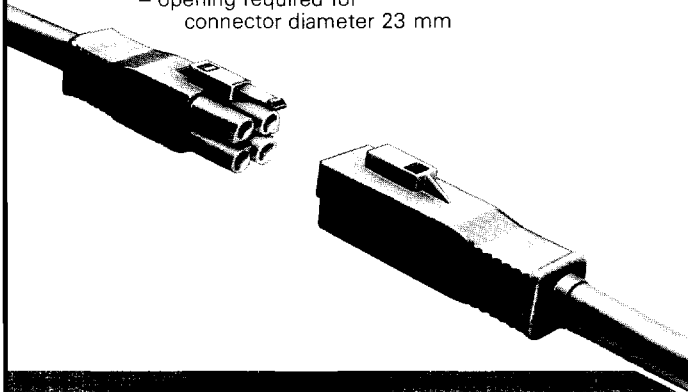


Miniature compact plug connectors ST 17/3 poles

Female/male connectors for "snap-in mounting" cutout 23 mm × 23 mm

Ready-made with cable

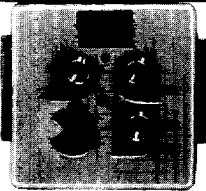
ready-made plug connector
with pre-mounted cable
and locking slide
– opening required for
connector diameter 23 mm



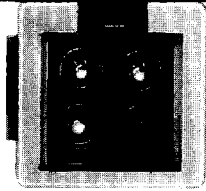
rated voltage: 250 V~
permanent temperature: 70 °C cable, 110 °C female/male
protection category: IP 20 as per DIN 40050
materials: insulating parts thermoplastics
contact parts brass plated with surface treatment
cables: H 05 V V-F3 G 1.5/1.0
approvals:



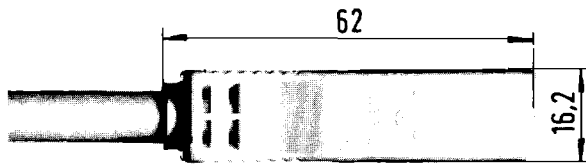
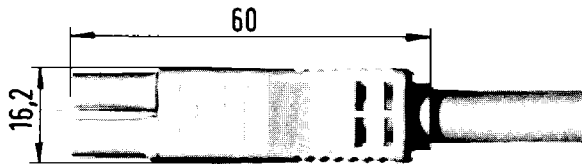
"snap-in mounting"
to snap in cutout
23 × 23 mm
(screwless version)



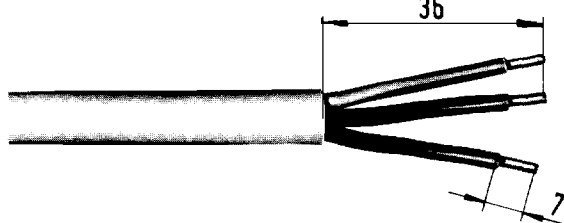
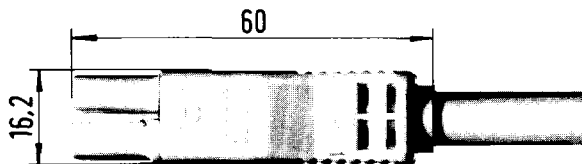
female part to snap in
(screwless version)
male part to snap in
(screwless version)
insulating length 8 mm
material thickness 0.5–1.5 mm



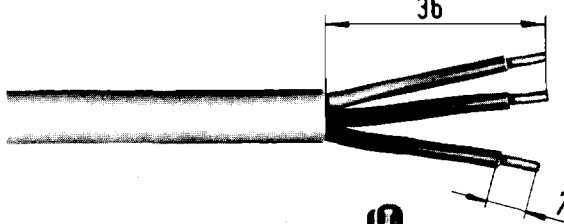
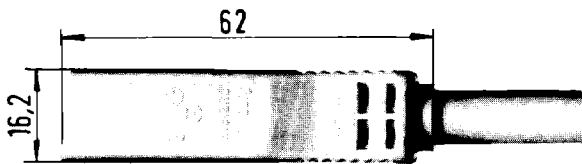
snap-on male part
(screwless version)
snap-on female part
(screwless version)



**female/
male part**

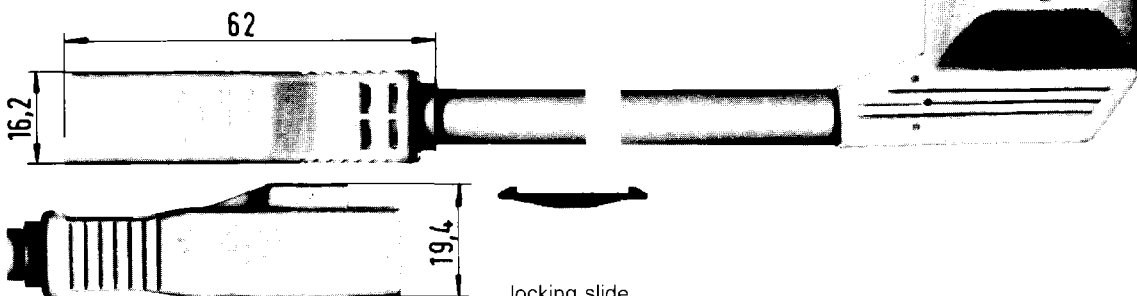


**male
part/-**



**female
part/-**

2-pole angled male connector
with two earthing systems
as per DIN 49441 Form R2/CEE 7 Standard sheet VII

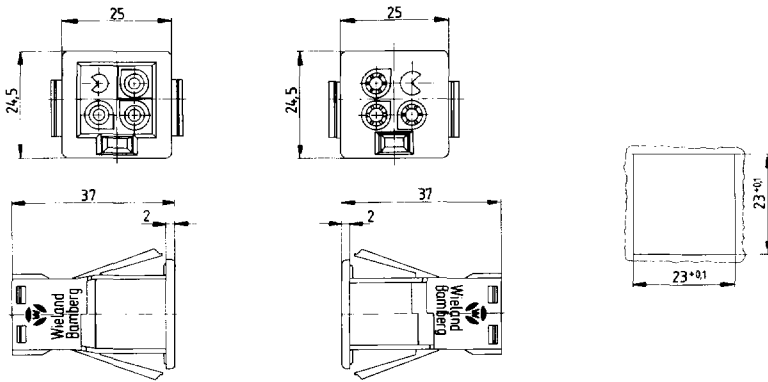


**female part
angled
connector**

locking slide

locking slide

ST 17/3



2.5 mm ² colour: black	93.042.0353.0	100
2.5 mm ² colour: white	93.042.0358.0	100
2.5 mm ² colour: black	93.041.0353.0	100
2.5 mm ² colour: white	93.041.0358.0	100

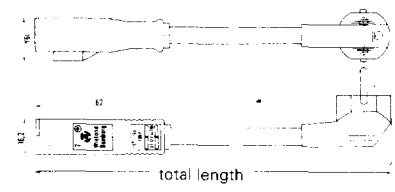
length	1.0 mm ² black	1.0 mm ² white	1.5 mm ² black	1.5 mm ² white	PQP
0.5 m			94.132.0500.1	94.132.0500.2	50
1.0 m			94.132.1000.1	94.132.1000.2	50
1.5 m		Maximum current	94.132.1500.1	94.132.1500.2	50
2.0 m		limit (16 A) of the	94.132.2000.1	94.132.2000.2	50
2.5 m		cables in acc. with	94.132.2500.1	94.132.2500.2	50
3.0 m		DIN VDE 0625 part 1	94.132.3000.1	94.132.3000.2	50
3.5 m			94.132.3500.1	94.132.3500.2	50
4.0 m			94.132.4000.1	94.132.4000.2	50

length	1.0 mm ² black	1.0 mm ² white	1.5 mm ² black	1.5 mm ² white	PQP
0.5 m	94.131.0504.1	94.131.0504.2	94.132.0504.1	94.132.0504.2	50
1.0 m	94.131.1004.1	94.131.1004.2	94.132.1004.1	94.132.1004.2	50
1.5 m	94.131.1504.1	94.131.1504.2	94.132.1504.1	94.132.1504.2	50
2.0 m	94.131.2004.1	94.131.2004.2	94.132.2004.1	94.132.2004.2	50
2.5 m	94.131.2504.1	94.131.2504.2	94.132.2504.1	94.132.2504.2	50
3.0 m	94.131.3004.1	94.131.3004.2	94.132.3004.1	94.132.3004.2	50
3.5 m	94.131.3504.1	94.131.3504.2	94.132.3504.1	94.132.3504.2	50
4.0 m	94.131.4004.1	94.131.4004.2	94.132.4004.1	94.132.4004.2	50

length	1.0 mm ² black	1.0 mm ² white	1.5 mm ² black	1.5 mm ² white	PQP
0.5 m	94.131.0503.1	94.131.0503.2	94.132.0503.1	94.132.0503.2	50
1.0 m	94.131.1003.1	94.131.1003.2	94.132.1003.1	94.132.1003.2	50
1.5 m	94.131.1503.1	94.131.1503.2	94.132.1503.1	94.132.1503.2	50
2.0 m	94.131.2003.1	94.131.2003.2	94.132.2003.1	94.132.2003.2	50
2.5 m		Maximum current	94.132.2503.1	94.132.2503.2	50
3.0 m		limit (16 A) of the	94.132.3003.1	94.132.3003.2	50
3.5 m		cables in acc. with	94.132.3503.1	94.132.3503.2	50
4.0 m		DIN VDE 0625 part 1	94.132.4003.1	94.132.4003.2	50

length	1.5 mm ² black	1.5 mm ² white	PQP
1.5 m	94.132.1507.1	94.132.1507.2	50
2.0 m	94.132.2007.1	94.132.2007.2	50
2.5 m	94.132.2507.1	94.132.2507.2	50

Included with the male connector!



The ready-made plug connector ST 17/3 offers you the possibility to use pre-mounted cables in lengths from 0.5 m to 4 m (in 50 cm steps).

The tolerance in cable length is $\pm 3\%$. Intermediate lengths and overlengths are available upon request.

Minimum order per cable length: 50 pcs

The cables are available in diameters of 1.0 or 1.5 mm².

Male/female parts ready-made with cables are available in black and white with the same coding.