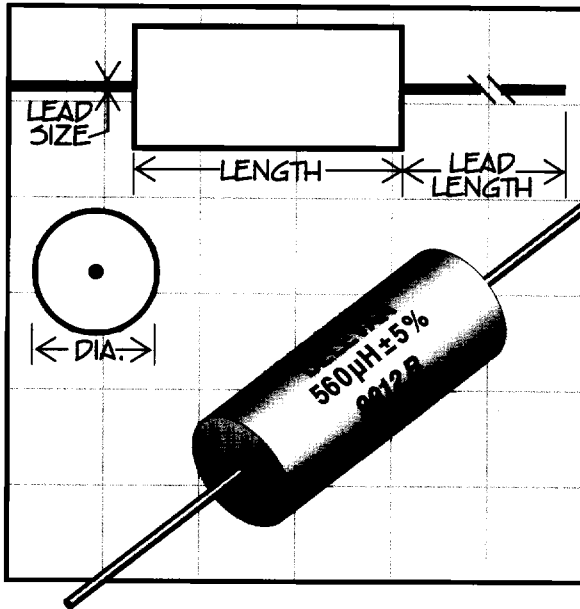


Series 4470

Molded Unshielded RF Coils



Test Methods MIL-C-15305 test methods, only.
MS21380-01 to MS21380-49, reference.

Physical Parameters

	Inches	Millimeters
Length	0.880 to 0.910	22.35 to 23.11
Diameter	0.270 to 0.310	6.86 to 7.87
Lead Size		
AWG #21 TCW	0.0260 to .0305	0.66 to 0.77
Lead Length	1.30 Min.	33.02 Min.

Operating Temperature -55°C to +125°C

Current Rating at 90°C Ambient 35°C Rise

Maximum Power Dissipation at 90°C 0.540 W

Marking Parts are printed with DELEVAN, Inductance Value/Tolerance, and Lot/Date Code. Optional color banding is available; when required, suffix Part Number with the letter "B".

Made in the U.S.A.

PART NUMBER		MIL DASH # (Ref.)	INDUCTANCE (µH)	INDUCTANCE TEST FREQUENCY (MHz)	Q TEST FREQUENCY (MHz)	Q MINIMUM	RESONANT FREQUENCY MINIMUM (MHz)	DC RESISTANCE MAXIMUM (OHMS)	CURRENT RATING MAXIMUM (mA)
MS21380 (Reference) - SERIES 4470 IRON CORE									
4470-01K	01		1.0±10%	25.0	15.0	130	136.0	0.03	4000
4470-02K	02		1.2±10%	7.9	15.0	130	124.0	0.03	4000
4470-03K	03		1.5±10%	7.9	10.0	130	112.0	0.03	4000
4470-04K	04		1.8±10%	7.9	10.0	130	100.0	0.03	4000
4470-05K	05		2.2±10%	7.9	10.0	130	92.0	0.04	3500
4470-06K	06		2.7±10%	7.9	10.0	100	81.6	0.04	3500
4470-07K	07		3.3±10%	7.9	7.9	100	72.0	0.04	3500
4470-08K	08		3.9±10%	7.9	7.9	80	68.0	0.05	3100
4470-09K	09		4.7±10%	7.9	7.9	75	64.0	0.05	3100
4470-10K	10		5.6±10%	7.9	7.9	65	57.6	0.06	3000
4470-11K	11		6.8±10%	7.9	7.9	65	52.0	0.06	3000
4470-12K	12		8.2±10%	7.9	7.9	65	45.6	0.09	2400
4470-13K	13		10.0±10%	7.9	5.0	75	40.0	0.15	1800
4470-14K	14		12.0±10%	2.5	5.0	75	36.0	0.20	1600
4470-15J	15		15.0±5%	2.5	5.0	75	32.0	0.30	1300
4470-16J	16		18.0±5%	2.5	5.0	75	28.8	0.40	1150
4470-17J	17		22.0±5%	2.5	2.5	75	25.6	0.50	1000
4470-18J	18		27.0±5%	2.5	2.5	70	24.0	0.60	900
4470-19J	19		33.0±5%	2.5	2.5	70	22.4	0.70	850
4470-20J	20		39.0±5%	2.5	2.5	70	20.8	1.00	720
4470-21J	21		47.0±5%	2.5	2.5	75	20.0	1.30	620
4470-22J	22		56.0±5%	2.5	2.5	80	17.6	1.80	540
4470-23J	23		68.0±5%	2.5	2.5	100	16.0	2.40	450
4470-24J	24		82.0±5%	2.5	2.5	100	14.4	2.80	425
4470-25J	25		100.0±5%	2.5	1.5	100	13.6	3.20	400
4470-26J	26		120.0±5%	0.79	1.5	100	12.0	4.10	360
4470-27J	27		150.0±5%	0.79	1.0	100	11.2	6.40	280
4470-28J	28		180.0±5%	0.79	1.0	95	9.60	9.50	240
4470-29J	29		220.0±5%	0.79	1.0	95	8.80	12.0	200
4470-30J	30		270.0±5%	0.79	1.0	70	7.20	13.0	195
4470-31J	31		330.0±5%	0.79	0.79	65	6.00	14.0	190
4470-32J	32		390.0±5%	0.79	0.79	65	5.20	15.5	180
4470-33J	33		470.0±5%	0.79	0.79	60	4.40	17.0	170
4470-34J	34		560.0±5%	0.79	0.50	75	3.20	18.5	165
4470-35J	35		680.0±5%	0.79	0.50	75	2.56	20.0	155
4470-36J	36		820.0±5%	0.79	0.50	75	2.24	22.0	150
4470-37J	37		1000.0±5%	0.79	0.50	75	1.92	24.0	145
4470-38J	38		1200.0±5%	0.79	0.50	75	1.68	27.0	137
4470-39J	39		1500.0±5%	0.79	0.40	75	1.52	29.0	130
4470-40J	40		1800.0±5%	0.79	0.40	65	1.36	32.0	125
4470-41J	41		2200.0±5%	0.25	0.25	65	1.20	35.0	120
4470-42J	42		2700.0±5%	0.25	0.25	65	1.04	40.0	112
4470-43J	43		3300.0±5%	0.25	0.25	65	0.96	45.0	105
4470-44J	44		3900.0±5%	0.25	0.25	65	0.80	49.0	100
4470-45J	45		4700.0±5%	0.25	0.25	65	0.76	53.0	95
4470-46J	46		5600.0±5%	0.25	0.25	65	0.68	60.0	90
4470-47J	47		6800.0±5%	0.25	0.25	65	0.60	67.0	85
4470-48J	48		8200.0±5%	0.25	0.25	65	0.52	75.0	82
4470-49J	49		10000.0±5%	0.25	0.15	65	0.47	80.0	80

Optional Tolerances: J = 5% H = 3% G = 2% F = 1%

STANDARD DEVICES