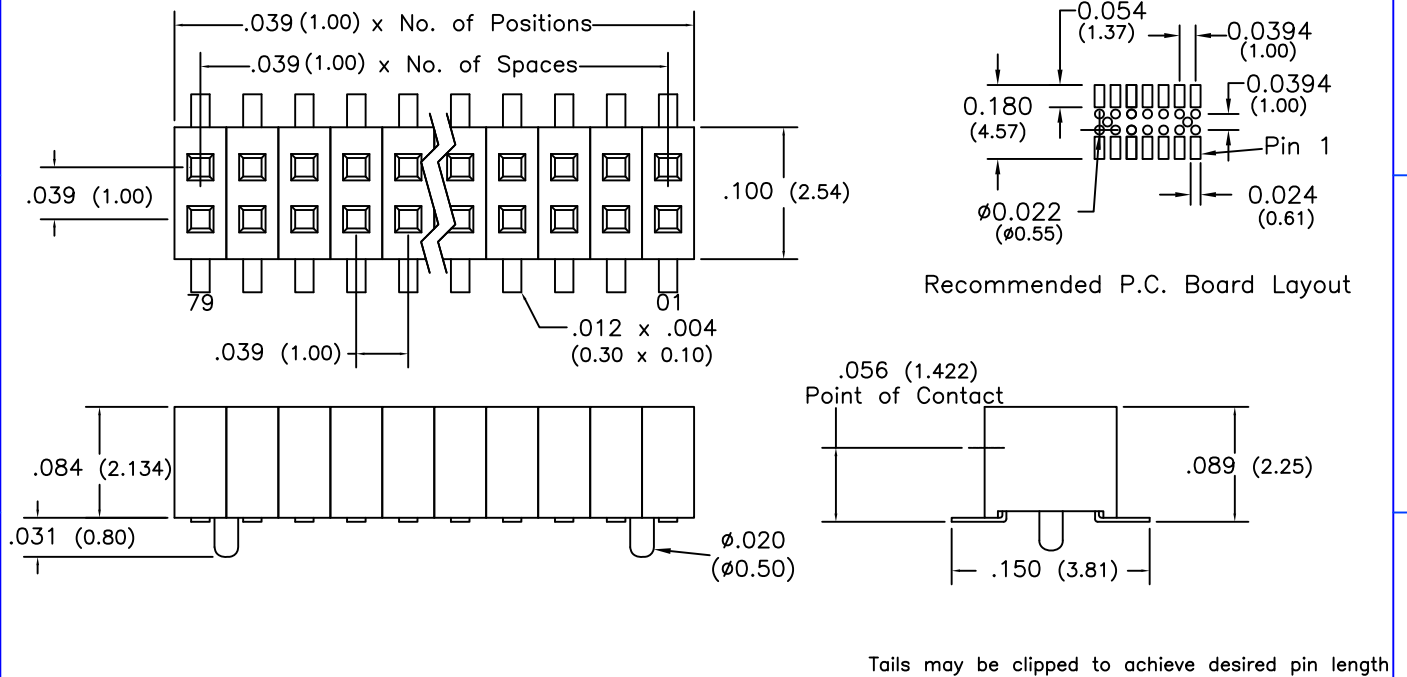


# Major League Electronics .039 cl Socket Strips - Low Profile - Surface Mount



## Ordering Information

LSMSS-7  -  -  -  -  -  -  -  -

Pins Per Row: 02 - 40  
 Row Specification: D = Dual Row  
 Surface Mount

Plating Options

200µ Matte Tin all Over	T
Gold Flash Over Entire Pin	F
10µ Gold on Contact Area / Matte Tin on Tail	GT

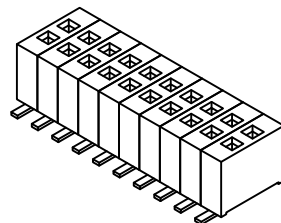
Lead Free  
 Alignment Pin: Leave blank if not needed, AP = With

Packing Information  
 TR-P = Tape and Reel with Plastic Pick and Place pad  
 TB-P = Tube with Plastic Pick and Place pad  
 TB-0 = Tube without Pick and Place Pad  
 If left blank, packaging at MLE's discretion  
 Pad may be metal, mylar or plastic

Polarized Position  
 Leave blank if not needed  
 If required, specify empty pin position, e.g. 012 for Pin 12

## Specifications

Current Rating: 1.0 Ampere  
 Insulation Resistance: 500MΩ Min.  
 Dielectric Withstanding: 200V AC  
 Contact Resistance: 20 mΩ Max.  
 Operating Temperature: -40°C to +105°C  
 Max. Process Temperature:  
 Peak: 260°C up to 10 secs.  
 Process: 230°C up to 60 secs.  
 Wave: 260°C up to 6 secs.  
 Reflow: 260°C up to 10 secs.  
 Manual Solder: 350°C up to 5 secs.



## Materials

Contact Material: Phosphor Bronze  
 Insulator Material: Nylon 6T

Products cut to specific sizes are uncancellable/nonreturnable

Parts are subject to change without notice

LSMSS-7-D SERIES

.039 cl Dual Row - Surface Mount  
 Socket Strips - Low Profile - Top Entry

06 MAR 07

Scale  
 NTS

UNLESS OTHERWISE SPECIFIED  
 DIMENSIONS IN INCHES (MM)  
 TOLERANCES ARE:

ONE PLACE DECIMALS ±.100  
 TWO PLACE DECIMALS ±.010  
 THREE PLACE DECIMALS ±.005  
 FOUR PLACE DECIMALS ±.0020  
 ANGLES  
 3/32



4235 Earnings Way, New Albany, Indiana, 47150, USA  
 1-800-782-3486 (USA/Canada/Mexico)  
 Tel: 812-944-7244  
 Fax: 812-944-7268  
 E-mail: mle@mlelectronics.com  
 Web: www.mlelectronics.com

Revision  
 D

Sheet  
 1/2

# Revisions

Revision D - (16th Dec 2011)

Alignment Pin option added.

Revision C - (19th Apr 2010)

Change to Specification; From 0.5 Ampere to 1.0 Ampere.

Revision B - (20th Mar 2008)


Amendment to packing options in ordering grid.

## Revision A

TR-P = Tape and Reel with Plastic Pick and Place pad  
TR-M = Tape and Reel with Metal Pick and Place pad  
TR-K = Tape and Reel with Kapton Tape Pick and Place pad  
TB-P = Tube with Plastic Pick and Place pad  
TB-M = Tube with Metal Pick and Place pad  
TB-K = Tube with Kapton Tape Pick and Place pad  
TB-0 = Tube without Pick and Place Pad  
BK-0 = Bulk without Pick and Place Pad

## Revision B

TR-P = Tape and Reel with Plastic Pick and Place pad  
TB-P = Tube with Plastic Pick and Place pad  
TB-0 = Tube without Pick and Place Pad  
*If left blank, packaging at MLE's discretion  
Pad may be metal, mylar or plastic*

<p>UNLESS OTHERWISE SPECIFIED DIMENSIONS IN INCHES (MM) TOLERANCES ARE:</p> <p>ONE PLACE DECIMALS ±.100 TWO PLACE DECIMALS ±.010 THREE PLACE DECIMALS ±.005 FOUR PLACE DECIMALS ±.0020</p> <p>ANGLES ±.5°</p>	<p>LSMSS-7-D SERIES</p> 	<p>.039 cl Dual Row - Surface Mount Socket Strips - Low Profile - Top Entry</p> <p>4235 Earnings Way, New Albany, Indiana, 47150, USA 1-800-782-3486 (USA/Canada/Mexico) Tel: 812-944-7244 Fax: 812-944-7268 E-mail: mle@mlelectronics.com Web: www.mlelectronics.com</p>	<p>06 MAR 07</p> <p>Scale NTS</p> <p>Revision D</p> <p>Sheet 2/2</p>
---	---	---	--