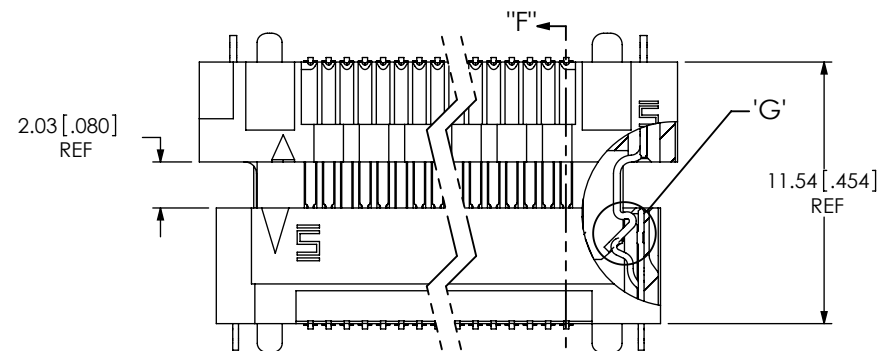
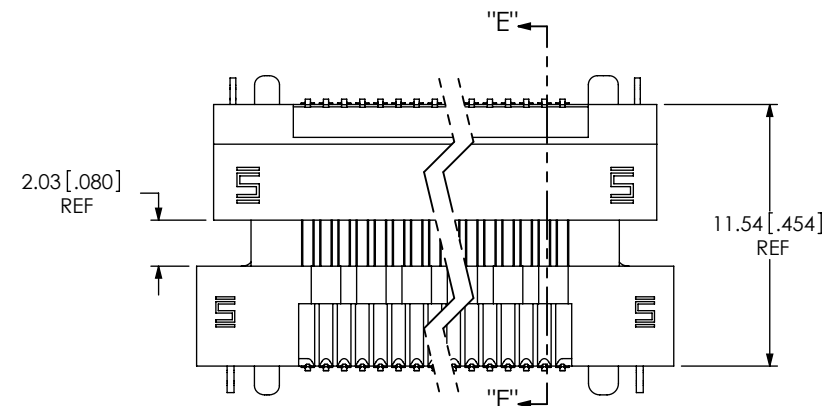


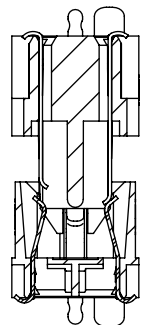
RECOMMENDED PCB LAYOUT



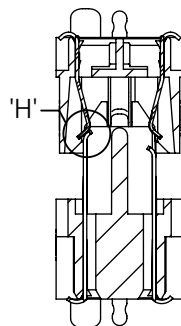
LATCH ENGAGING VIEW



PIN ENGAGING VIEW



SECTION "F"-"F"



SECTION "E"-"E"

0.80 [.031] (TYP)  
(TOL. NON-ACCUM)

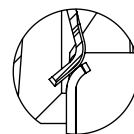
$\varnothing 2.24 [0.088]$   
(2 PLCS)

1.10 [.043]  
(TYP)

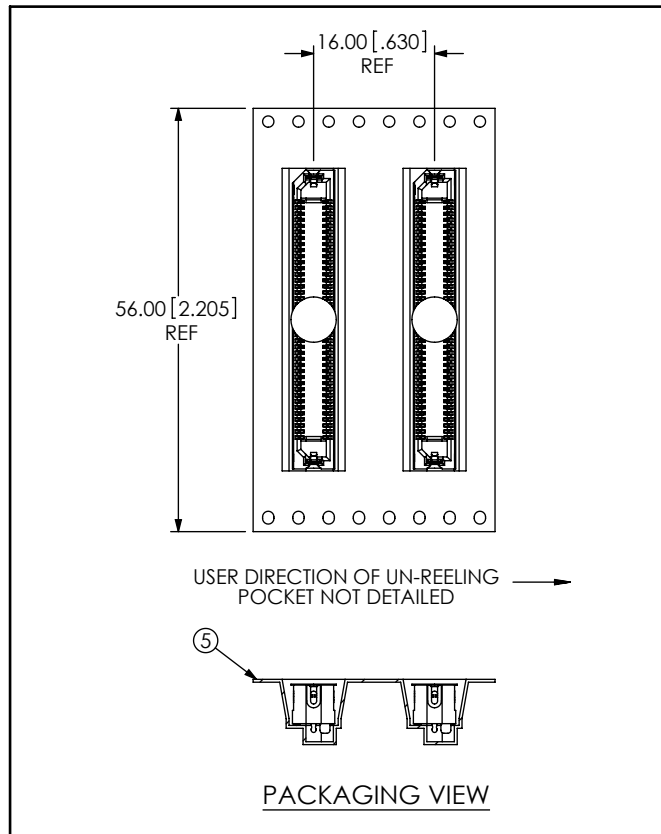
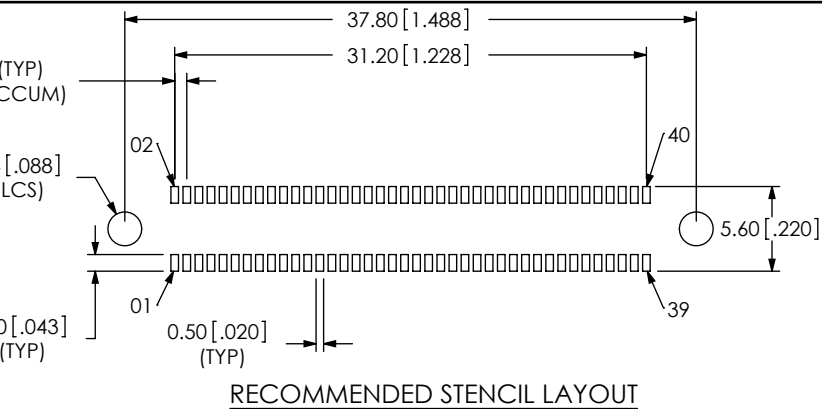
RECOMMENDED STENCIL LAYOUT



DETAIL 'G'  
SCALE 6 : 1



DETAIL 'H'  
SCALE 8 : 1



PACKAGING VIEW

PROPRIETARY NOTE

THIS DOCUMENT CONTAINS INFORMATION CONFIDENTIAL AND PROPRIETARY TO SAMTEC, INC. AND SHALL NOT BE REPRODUCED OR TRANSFERRED TO OTHER DOCUMENTS OR DISCLOSED TO OTHERS OR USED FOR ANY PURPOSE OTHER THAN THAT WHICH IT WAS OBTAINED WITHOUT THE EXPRESSED WRITTEN CONSENT OF SAMTEC, INC.

**samtec**

520 PARK EAST BLVD, NEW ALBANY, IN 47150  
PHONE: 812-944-6733 FAX: 812-948-5047  
e-Mail: info@SAMTEC.com code 53322

SHEET SCALE: 3:1

DESCRIPTION:

ERF8 ASSEMBLY

DWG. NO.

ASP-148424-01

BY: J. BROWNING 06/19/2009

SHEET 2 OF 2