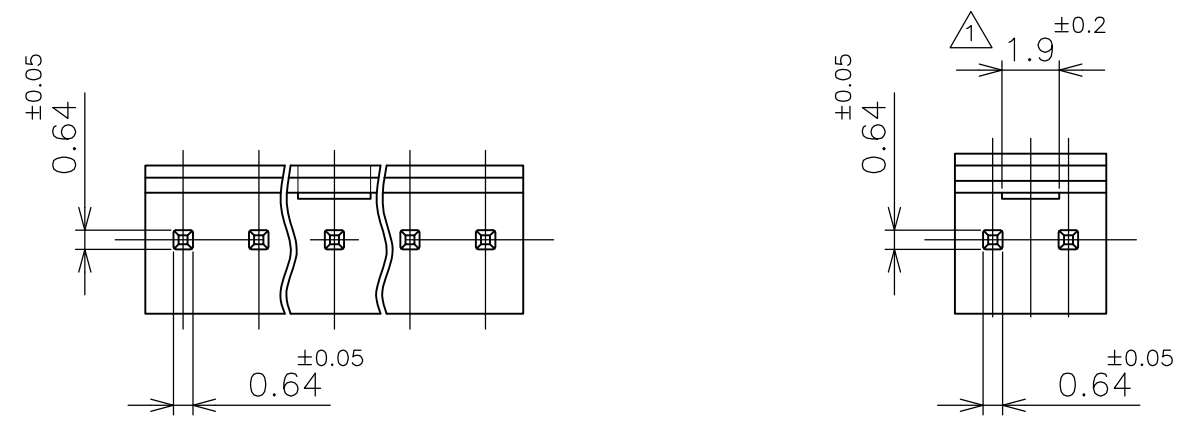


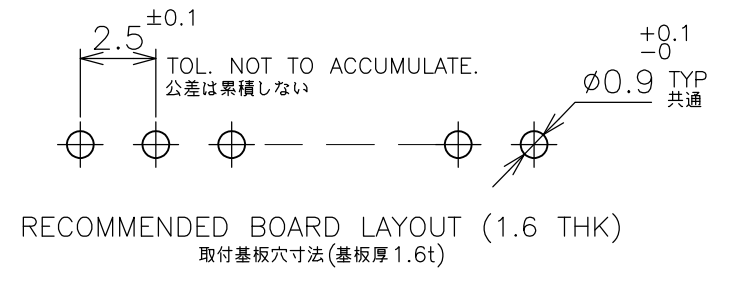
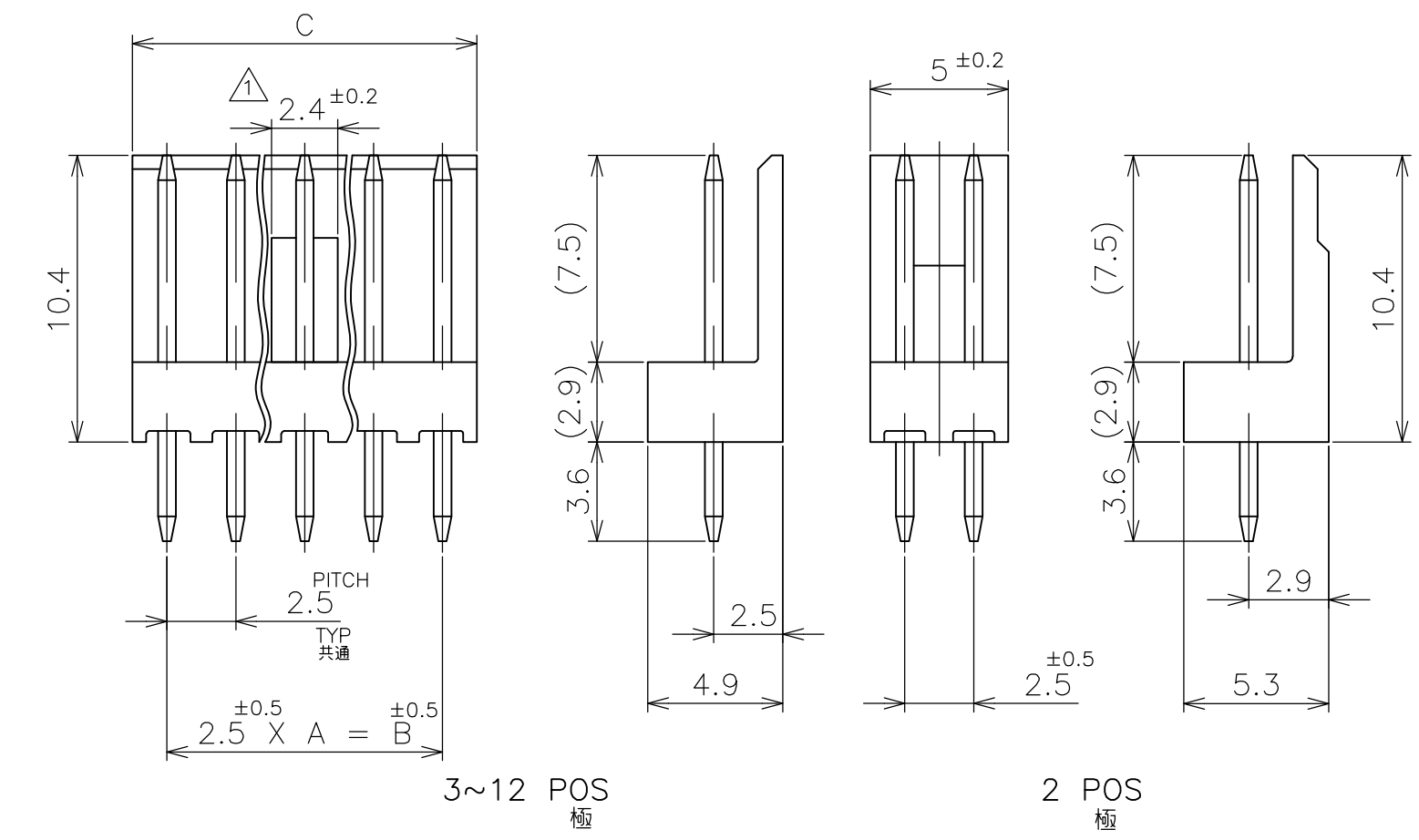
THIS DRAWING IS UNPUBLISHED. RELEASED FOR PUBLICATION MAY, 1987.  
 © COPYRIGHT 1977 By - ALL RIGHTS RESERVED.

LOC	DIST	REVISIONS					
		P	LTR	DESCRIPTION	DATE	DWN	APVD
J	-		Y1	REVISED PER ECO-11-005030	11MAR11	RK	HMR



① LOCKING HOLE IS PLACED ON THE CENTER OF POST HEADER.  
 ② MANUFACTURED BY AMP-BRASIL ONLY

① ロッキング凹部位置は長手方向の中央。  
 ② AMP-ブラジル製造品 (AMP-J非製造品)



37.5	35.0	14	15	9-171825-5	7-171825-5	5-171825-5	3-171825-5	1-171825-5
32.5	30.0	12	13	9- ↑ -3	7- ↑ -3	5- ↑ -3	3- ↑ -3	1- ↑ -3
27.5	25.0	10	11	9- -1	7- -1	5- -1	3- -1	1- -1
30.0	27.5	11	12	9- -2	7- -2	5- -2	3- -2	1- -2
25.0	22.5	9	10	9- -0	7- -0	5- -0	3- -0	1- -0
22.5	20.0	8	9	8- -9	6- -9	4- -9	2- -9	-9
20.0	17.5	7	8	8- -8	6- -8	4- -8	2- -8	-8
17.5	15.0	6	7	8- -7	6- -7	4- -7	2- -7	-7
15.0	12.5	5	6	8- -6	6- -6	4- -6	2- -6	-6
12.5	10.0	4	5	8- -5	6- -5	4- -5	2- -5	-5
10.0	7.5	3	4	8- -4	6- -4	4- -4	2- -4	-4
7.5	5.0	2	3	8- -3	6- -3	4- -3	2- -3	-3
図示		—//—	2	8-171825-2	6-171825-2	4-171825-2	2-171825-2	171825-2
±0.2 C	±0.5 B	A	NO OF POS 極数	RED 赤色	GREEN 緑色	BLUE 青色	BLACK 黒色	NATURAL 自然色
				PART NUMBER 型番				

THIS DRAWING IS A CONTROLLED DOCUMENT.

DWN T.DOI 14MAY77  
 CHK H.TAGUCHI 14MAY77  
 APVD H.TAGUCHI 14MAY77

NAME 名称  
 PRODUCT SPEC 製品規格  
 APPLICATION SPEC 取付適用規格

STE TE Connectivity

POST HEADER ASSY (VERTICAL)  
 AMP EI SERIES CONNECTOR

SIZE A3 CAGE CODE 00779 DRAWING NO. C-171825 RESTRICTED TO —

MATERIAL 材料 HSG : 66NYLON UL94V-0 POST: BRASS  
 FINISH 仕上 POST: TIN-PLATE

WEIGHT  
 CUSTOMER DRAWING

SCALE 尺度 4:1 SHEET 1 OF 1 REV Y1