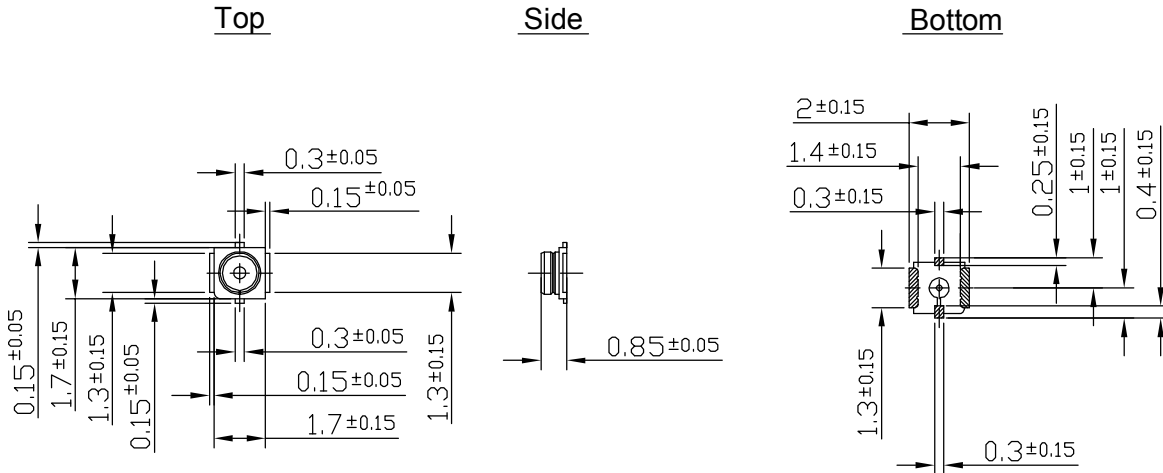
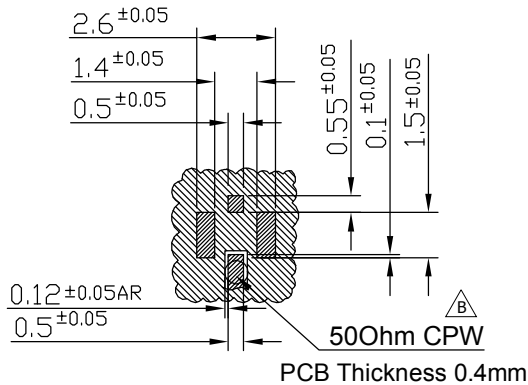


REV	ZONE	DESCRIPTION	ENG	APPROVED	ISSUED DATE
A	ALL	Initial Design	Kiwi		2011/10/3
B	B3	Amend Font type	Kiwi		2011/11/9
C	G3	Amend drawing content	Sandy		2011/11/16



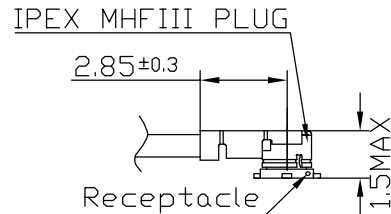
PCB Footprint



Note:
 1. Soldered Area

Note:
 1. BOM No: 204311J0000XXA

Mated View



UNLESS OTHERWISE SPECIFIED TOLERANCES IN:
 .X ± 1.0
 XX ± 5.0 .XX ± 0.5
 X ± 3.0 .XXX ± 0.1

DATE: 2011/10/3 MAT'L: Brass
 UNIT: mm FINISH: Gold
 THIRD ANGLE PROJECTION SCALE: 4/1



This drawing and its inherent design concepts are property of Taoglas. Not to be copied or given to third parties without the written consent of Taoglas.

REV
 C

APPROVED BY: _____ CHECKED BY: _____ DRAWN BY: Kiwi
 CUSTOMERS SIGNATURE / DATE

TITLE: IPEX MHFIII Receptacle

PART NO: RECE.20369.001E.01