

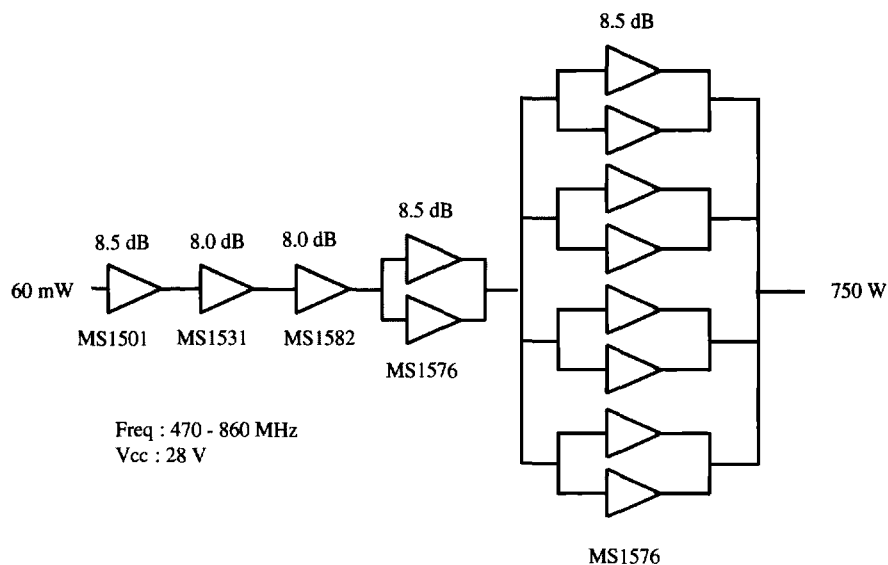
UHF Applications

UHF TV Bands 470 - 860 MHz

PART NO.	FREQ. (MHz)	Pout	Pin (W)	GAIN Min (dB)	BIAS		IMD (dBC)	θ_{jc} Max (°C/W)	COB Max (pF)	PACKAGE
		Min (W)			Vce (V)	Icq (mA)				
MS1502	860	0.5	0.35	11.5	20	220	-58	5.5	5	M122
MS1512	860	1	0.1	10	20	440	-58	9	7	M122
MS1501	860	2	0.3	8.5	25	450	-60	11	10	M122
MS1581	860	4	0.8	7	25	850	-60	5.5	20	M122
MS1531	860	4	0.63	8	25	850	-60	5.5	20	M122
MS1579	860	14	1.2	8.5	25	2x850	-45	2.5	17.5	M156
MS1532	860	20	2.2	9.5	26.5	2x1350	-48	1.9	36	M119
MS1582	860	25	4	8	25	2x1600	-45	1.3	80	M173
MS1584	860	50	10.5	6.8	28	2x250	-30	1	70	M173
MS1586	860	100	10	10	28	2x100	-30	0.8	50	M173
MS1576	860	150	21	8.5	28	2x200	-30	0.6	70	M208
MS1533	860	150	33.5	6.5	28	2x500	-30	0.55	100	M175

CONFIGURATION : COMMON EMITTER

OPERATED CLASS A



Recommended Line-up
UHF TV BROADCAST