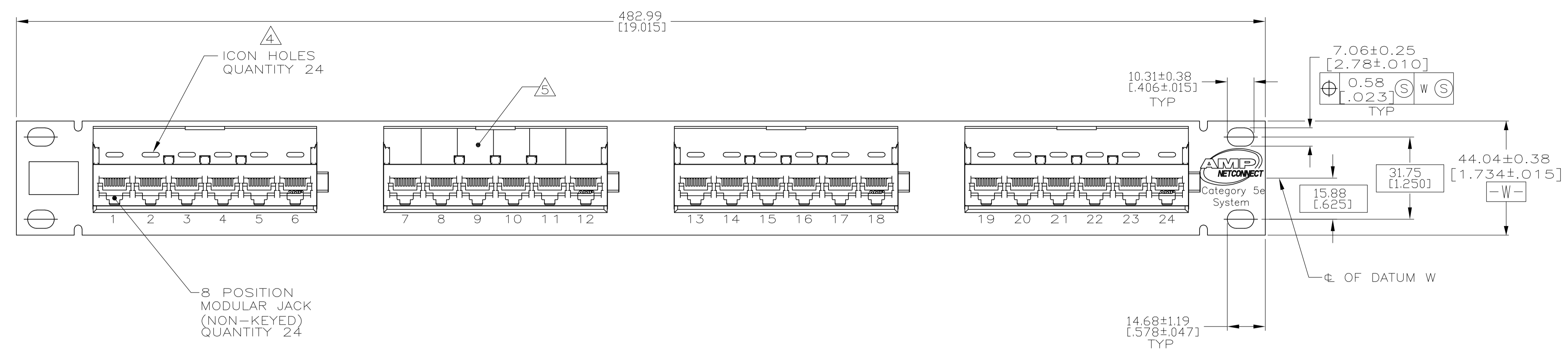
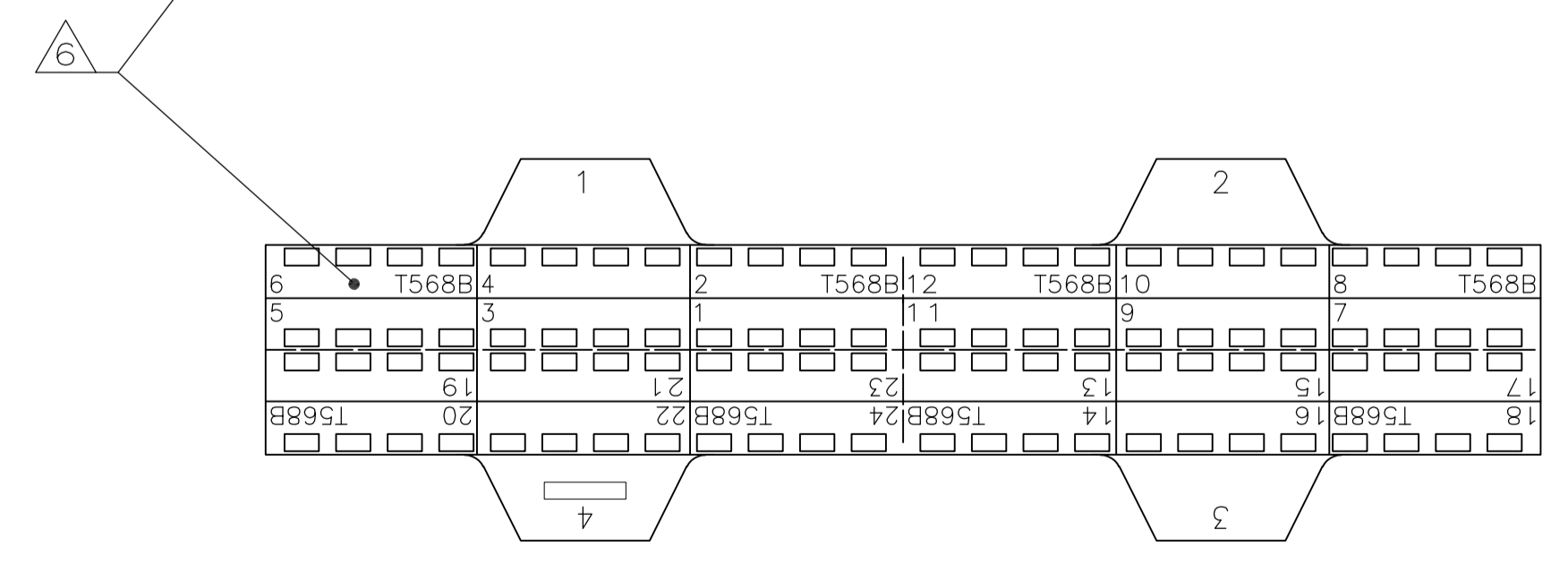
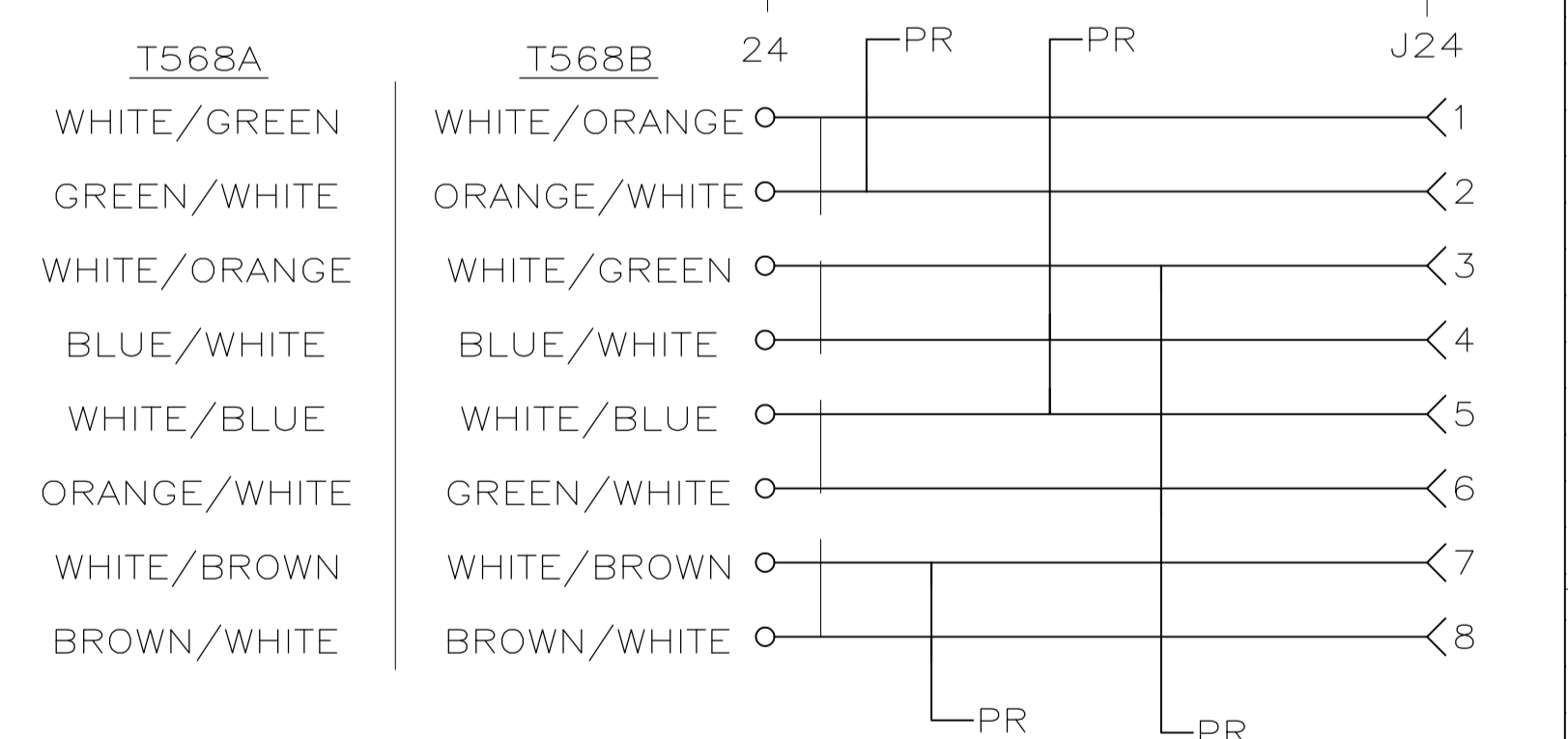
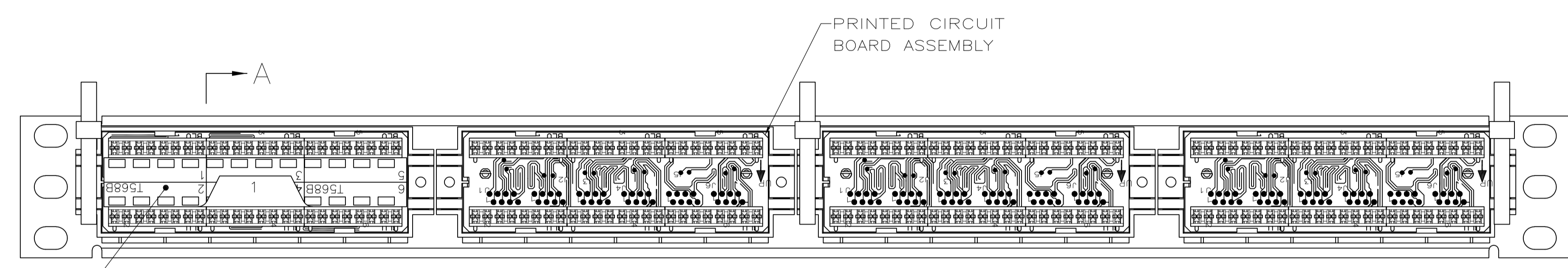
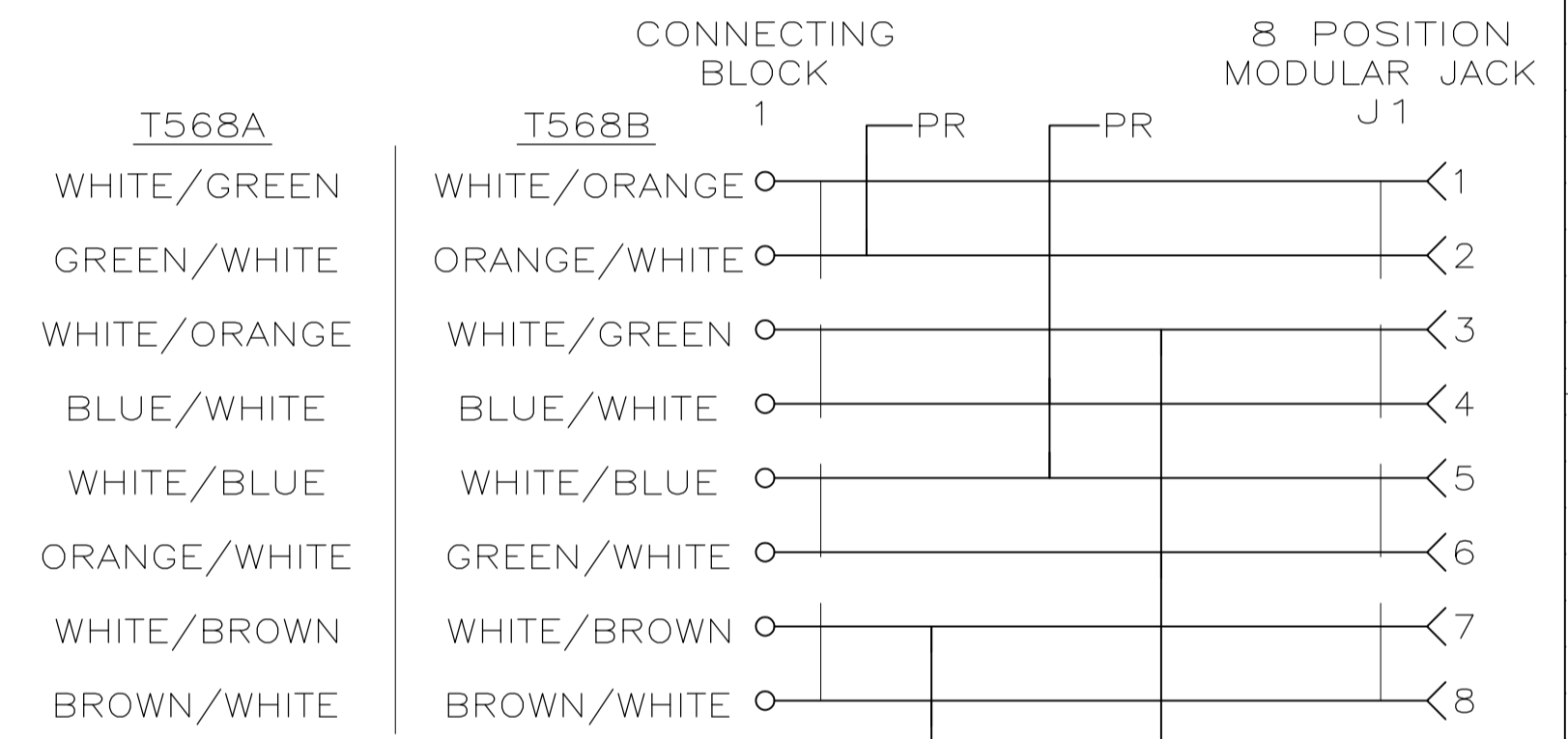
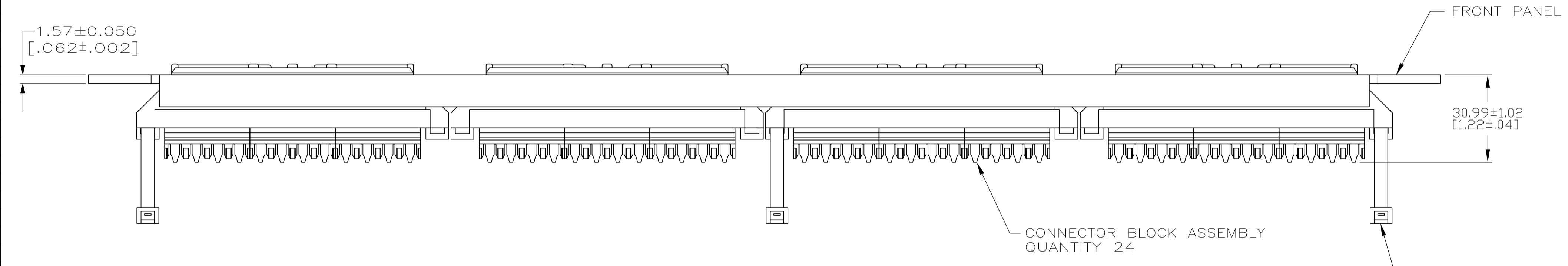


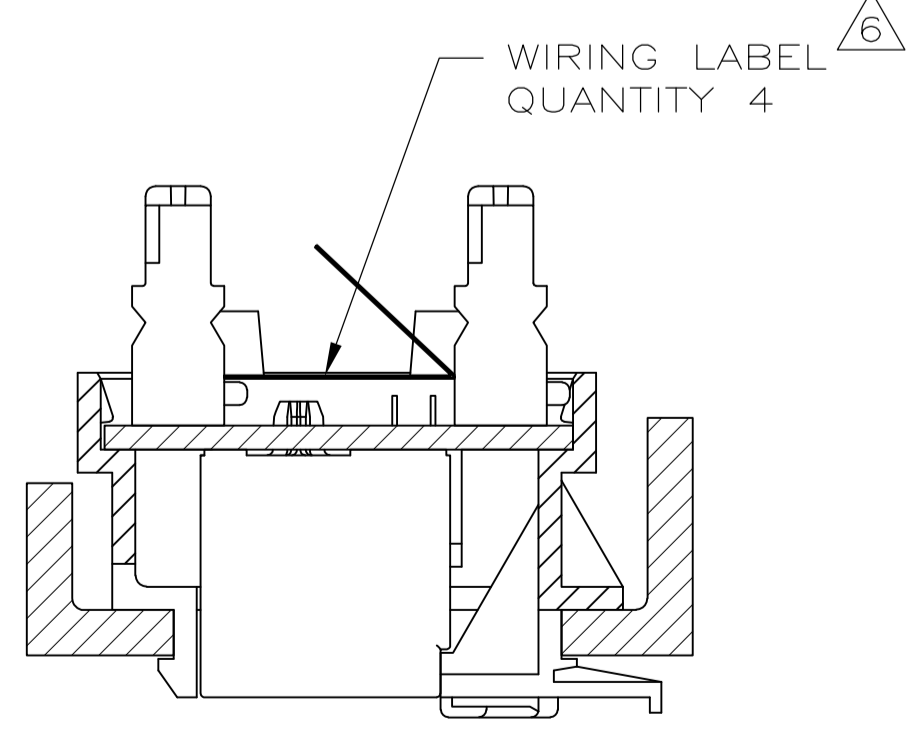
LOC	DIST	REVISIONS			
		REV	DESCRIPTION	DATE	BY
HM	00	E1	REVISED PER ECO-11-005033	11MAR11	RK HMR



- 1 MATERIAL: PANEL – BLACK POWDER COAT STEEL WITH WHITE MARKINGS.
PRINTED CIRCUIT BOARD – LAMINATED PLASTIC SUBSTRATE, 1.57[.062] THICK.
2. MOUNTING HARDWARE INCLUDED EACH ASSEMBLY:
FOUR, 10–32X50 TRILOBULAR SCREWS W/CAPTIVE STARWASHER.
FOUR, 12–24X50 TRILOBULAR SCREWS W/CAPTIVE STARWASHER.
- 3 THREE RELEASEABLE CABLE TIES, SHOWN ASSEMBLED, USED FOR CABLE ORGANIZATION/ROUTING ARE SHIPPED LOOSE.
- 4 ICONS MAY BE PURCHASED SEPARATELY.
- 5 ONE SHEET OF BEZEL LABELS AND ONE SHEET OF CLEAR LABEL COVERS ARE SHIPPED LOOSE. ONE LABEL SHOWN INSTALLED AT LOCATION INDICATED.
- 6 ONE SHEET OF FOUR 110 CONNECTOR UNIVERSAL WIRING LABELS ARE SHIPPED LOOSE. ONE SIDE IS FOR T568A WIRING AND THE OPPOSITE SIDE FOR T568B WIRING. ONE LABEL SHOWN INSTALLED AT LOCATION INDICATED.



T568B SIDE
110 CONNECTOR UNIVERSAL
WIRING LABELS



SECTION A-A
ROTATED 90° CCW
SCALE 2:1

THIS DRAWING IS A CONTROLLED DOCUMENT.		DWN L. HALL 14AUG00	TE Connectivity
DIMENSIONS: mm [INCHES]		CHK S. HERNDON 14AUG00	
TOLERANCES UNLESS OTHERWISE SPECIFIED:		APVD S. HERNDON 14AUG00	NAME PANEL ASSEMBLY, 24 PORT, RJ45, UNIVERSAL WIRING, CATEGORY 5, ENHANCED
0 PLC ± 1 PLC ± 2 PLC ± 3 PLC ± 4 PLC ± ANGLES ±		APPLICATION SPEC	RESTRICTED TO
MATERIAL	FINISH	WEIGHT	SIZE CAGE CODE DRAWING NO A1 00779 406330
CUSTOMER DRAWING		SCALE 1:1	SHEET 1 OF 1 REV E1