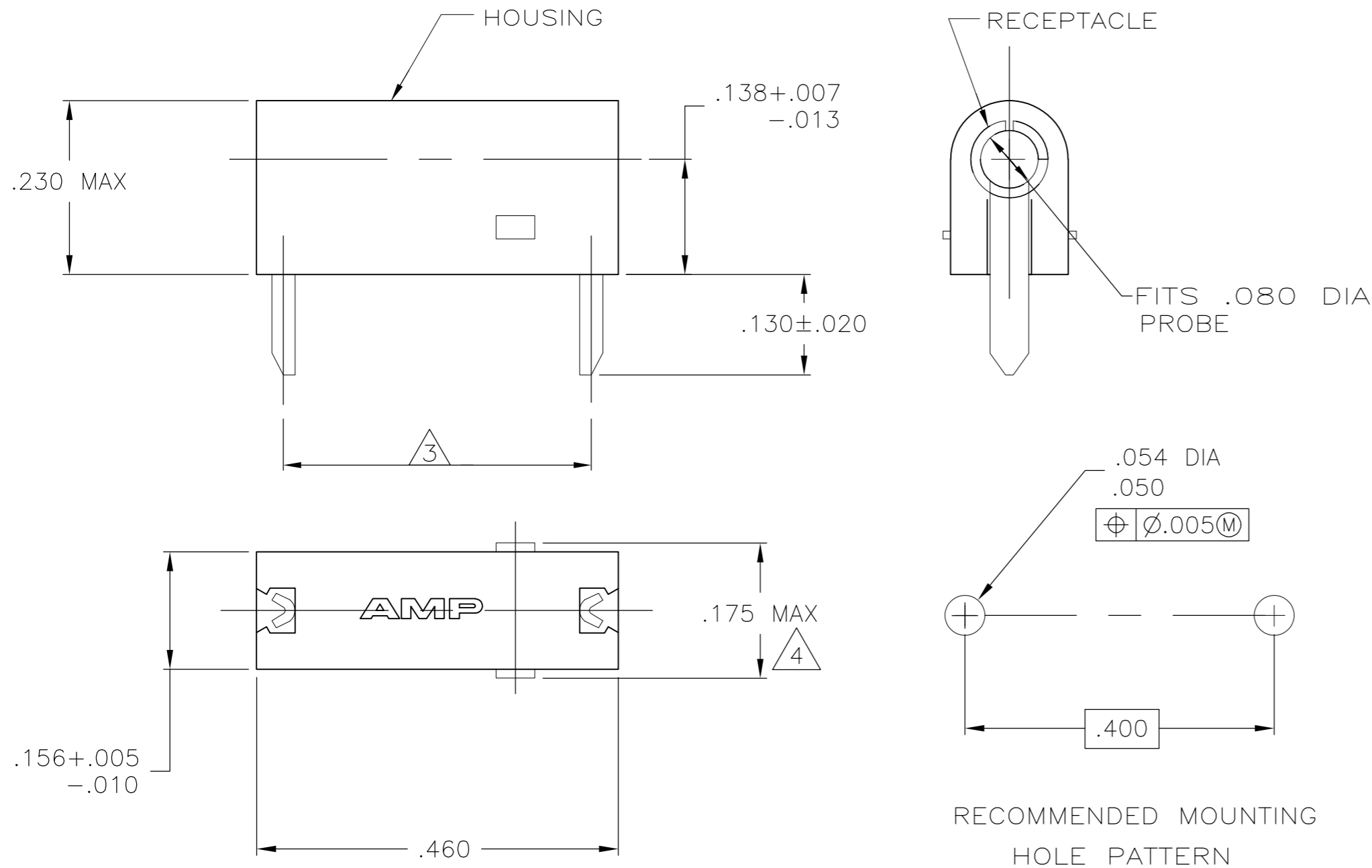


THIS DRAWING IS UNPUBLISHED. RELEASED FOR PUBLICATION
 © COPYRIGHT - By - ALL RIGHTS RESERVED.

| LOC | DIST | REVISIONS | | | |
|-----|------|-------------|---------------------------|---------|--------|
| P | LTR | DESCRIPTION | DATE | DWN | APVD |
| AF | 50 | AB1 | REVISED PER ECO-11-004820 | 11MAR11 | RK HMR |

- 1 OPERATION TEMPERATURE IS 105° C MAX.
- 2 RETENTION FORCE - 16 OUNCES MIN INITIALLY.
6 OUNCES MIN AFTER 500 CYCLES.
- 3 REFER TO MOUNTING HOLE PATTERN.
- 4 .175 MAX TO BE MEASURED ACROSS THE CUT-OFF TABS.



| | | | |
|----------|-------------------|----------------|------------|
| OBSOLETE | NYLON 6/6; WHITE | BRASS - GOLD | 3-582118-9 |
| OBSOLETE | NYLON 6/6; GRAY | BRASS - GOLD | 3-582118-8 |
| | NYLON 6/6; VIOLET | BRASS - GOLD | 3-582118-7 |
| | NYLON 6/6; BLUE | BRASS - GOLD | 3-582118-6 |
| | NYLON 6/6; GREEN | BRASS - GOLD | 3-582118-5 |
| | NYLON 6/6; YELLOW | BRASS - GOLD | 3-582118-4 |
| | NYLON 6/6; ORANGE | BRASS - GOLD | 3-582118-3 |
| | NYLON 6/6; RED | BRASS - GOLD | 3-582118-2 |
| OBSOLETE | NYLON 6/6; BROWN | BRASS - GOLD | 3-582118-1 |
| | NYLON 6/6; BLACK | BRASS - GOLD | 3-582118-0 |
| | NYLON 6/6; WHITE | BRASS - SILVER | 2-582118-9 |
| OBSOLETE | NYLON 6/6; GRAY | BRASS - SILVER | 2-582118-8 |
| OBSOLETE | NYLON 6/6; VIOLET | BRASS - SILVER | 2-582118-7 |
| | NYLON 6/6; BLUE | BRASS - SILVER | 2-582118-6 |
| OBSOLETE | NYLON 6/6; GREEN | BRASS - SILVER | 2-582118-5 |
| OBSOLETE | NYLON 6/6; YELLOW | BRASS - SILVER | 2-582118-4 |
| OBSOLETE | NYLON 6/6; ORANGE | BRASS - SILVER | 2-582118-3 |
| | NYLON 6/6; RED | BRASS - SILVER | 2-582118-2 |
| OBSOLETE | NYLON 6/6; BROWN | BRASS - SILVER | 2-582118-1 |
| | NYLON 6/6; BLACK | BRASS - SILVER | 2-582118-0 |
| | NYLON 6/6; WHITE | BRASS - TIN | 1-582118-9 |
| OBSOLETE | NYLON 6/6; GRAY | BRASS - TIN | 1-582118-8 |
| OBSOLETE | NYLON 6/6; VIOLET | BRASS - TIN | 1-582118-7 |
| OBSOLETE | NYLON 6/6; BLUE | BRASS - TIN | 1-582118-6 |
| | NYLON 6/6; GREEN | BRASS - TIN | 1-582118-5 |
| | NYLON 6/6; YELLOW | BRASS - TIN | 1-582118-4 |
| OBSOLETE | NYLON 6/6; ORANGE | BRASS - TIN | 1-582118-3 |
| | NYLON 6/6; RED | BRASS - TIN | 1-582118-2 |
| OBSOLETE | NYLON 6/6; BROWN | BRASS - TIN | 1-582118-1 |
| | NYLON 6/6; BLACK | BRASS - TIN | 1-582118-0 |

| HOUSING - MATERIAL; COLOR | RECEPTACLE - MATERIAL; FINISH | PART NUMBER |
|--|-------------------------------|--|
| THIS DRAWING IS A CONTROLLED DOCUMENT. | | |
| DWN M.S. FEHER 13APR2004 | | TE Connectivity |
| CHK E. HOWARD 13APR2004 | | |
| APVD E. HOWARD 13APR2004 | | |
| PRODUCT SPEC | | |
| APPLICATION SPEC | | NAME ASSEMBLY, TEST PROBE |
| MATERIAL SEE TABLE | | FINISH SEE TABLE |
| DIMENSIONS: mm | | TOLERANCES UNLESS OTHERWISE SPECIFIED: |
| 0 PLC ± - | | 1 PLC ± - |
| 1 PLC ± - | | 2 PLC ± .015 |
| 2 PLC ± - | | 3 PLC ± - |
| 3 PLC ± - | | 4 PLC ± - |
| 4 PLC ± - | | ANGLES ± - |
| WEIGHT - | | SIZE A2 |
| CUSTOMER DRAWING | | CAGE CODE 00779 |
| SCALE 6:1 | | DRAWING NO C=582118 |
| SHEET 1 of 1 | | RESTRICTED TO - |
| REV AB1 | | |

| | | |
|---------------------------|-------------------------------|----------------|
| - | - | - |
| - | - | - |
| - | - | - |
| NYLON 6/6; NATURAL | BRASS - GOLD | 6-582118-9 |
| OBSOLETE | NYLON 6/6; NATURAL | BRASS - SILVER |
| 5-582118-9 | | |
| HOUSING - MATERIAL; COLOR | RECEPTACLE - MATERIAL; FINISH | PART NUMBER |